



Catalog

Performance Climate Changer™ Air Handlers Dimensional Data for Sizes 3-120 Indoor and Outdoor Units





Introduction

Performance Climate Changer air handlers combine the Trane tradition of engineering excellence with the latest in manufacturing technology to give you an energy efficient air handler with superior performance, the highest quality and reliability, and the lowest installed cost in the industry. This air handler was designed to incorporate such features as component flexibility, integrated control options, and proven performance to give you the optimal system to clean, filter, dehumidify, heat, and cool your building.

Superior Performance

- ASHRAE 111 Class 6 low-leak casing design achieving less than 1.0 percent leakage rate at +/- 8 inches w.g.
- Less than L/240 @ +/- 8 inches w.g. panel and door deflection
- 2-inch R13 foam-insulated, mid-span thermal break panels and thermal break doors
- Casing thermal resistance ratio TR-value of 0.6
- New filter technology that exceeds LEED requirements and reduces filter pressure drops up to 50 percent versus previous designs

Industry-Leading Energy Efficiency

- AMCA 611-certified Traq airflow monitoring station
- Total energy-recovery wheels
- Cool Dry Quiet (CDQ™) desiccant dehumidification wheels
- Discharge plenums and plenum fan sections available with variable size, type, and location of openings to reduce static pressure loss and lower energy consumption
- 50,000 hour LED service lights
- Low-leak, high thermal performance casing design
- All airfoil-bladed dampers and Traq dampers meet ASHRAE 90.1 lowest specified leakage requirements
- High-efficiency coil fins deliver superior heat transfer while allowing face velocities in excess of 625 fpm without moisture carryover

System Optimization

- Optimal design to meet the Trane EarthWise™ design philosophy incorporating high-efficiency air handlers and water chillers with low flow rates and low temperatures.
- Factory-engineered, -mounted, and -tested control packages with properly sealed casing openings.
- Variety of coil types with high-efficiency coil fins allow lower coil approach temperature and reduce chance of moisture carryover
- Ability to choose the exact number of fins per foot of coil surface to enhance heat transfer and air pressure performance
- Wide array of fan options, including direct-drive plenum fans, belt-drive plenum fans, and housed fans
- Control options to easily incorporate fan pressurization and demand control ventilation strategies.
- Design and analysis tools provide whole building analysis, acoustical design guidance, equipment performance data, and suggested control strategies to help achieve optimum system design with tailored energy, IAQ, and project budget solutions.

Highest Quality

- UL/CUL listed
- AHRI Standard 430-certified air-handling unit
- AHRI Standard 410-certified coils are all factory tested
- AHRI Standard 1060-certified energy wheels
- All fans are dynamically balanced in the horizontal and vertical planes.
- All fans with VFDs undergo inverter balancing
- Formulated panels and integral base frame minimize seams that could introduce air leak paths
- Integrated raceway for wiring protection
- Integrated, fully-enclosed control panel for starters, VFDs, and unit-mounted controllers
- Pre-engineered, factory-mounted controls, including end devices, motor controllers, VFDs, unit-mounted DDC controllers, Traq™ damper ventilation control section, UL-listed turnkey control packages

Lowest Installed Cost

- Lifting lugs included on the integral base frame
- Indoor units ship with skid designed for forklift transport
- Variable height, size, type, and location of openings on discharge plenums minimize duct transitions
- Factory-installed interoperable controls shorten construction cycles, simplify job-site coordination, reduce installation time and expense, and provide single-source responsibility for warranty and service issues
- Single-point power is available with high-voltage distribution block and external main unit disconnect with lockout/tagout capabilities.
- External service module with 15 amp GFCI receptacle, light switch, and controller display and communications port
- Quick-connect wiring minimizes installation costs and provides wiring integrity between sections
- Factory-installed conduit connectors eliminate penetrations in the wrong location
- Motor leads can be run through flexible metal conduits to NEMA 4 external motor junction box
- Building Information Modeling (BIM) drawings to minimize jobsite ductwork, electrical, piping and structural interference
- Duct supports designed into factory roof curbs for pre-connection of ductwork

For additional information on Performance Climate Changer air handlers, including features and benefits, application information, components and options, coil and performance data, see Trane catalog CLCH-PRC022A-EN.



Table of Contents

Introduction	2
Superior Performance	2
Industry-Leading Energy Efficiency	2
System Optimization	2
Highest Quality	3
Lowest Installed Cost	3
Dimensions	6
Service Clearance Recommendations	6
Outdoor unit dimensions	7
Access/Turning Section	8
Air-to-Air Plate Frame Heat Exchangers	11
Blenders	12
Cool Dry Quiet (CDQ™) Desiccant Dehumidification Wheel	14
Coils	18
Horizontal Coil Section	18
Coil Section with Inspection Door	19
Vertical Coil Section	20
Coil Locations	21
Coil Connection Locations	22
Integral Face-and-Bypass (IFB) Coils	26
Controls Section	29
End-of-Unit Control Section Doors	33
Dampers	36
External Face-and-Bypass Dampers	36
Face Damper Section	38
Internal Face-and-Bypass Dampers	39
Diffuser	40
Discharge Plenum	41
Economizer	50
Electric Heat	52
Energy Wheels	53
Exhaust Damper Section for Outdoor Units	57
Fans/Motors	58
Starter/VFD Weights	58
Motor Weights	58
Fans	58
Housed Fans	59
Belt-Drive Plenum Fans	65
Direct-Drive Plenum Fans	81
Filters	102
Filter Sizes	102

Side-loading 2-inch and 4-inch Flat Filter Section	104
2-inch/4-inch Combination Flat Filter Section - Side Loading	108
2-inch and 4-inch Angled Filter Section - Side Loading	112
Bag Filter Section	116
Cartridge Filter Section - Side Loading	124
Bag and Cartridge Filter Section - Front Loading	128
HEPA Filter Section - Front Loading	133
Gas Heat	137
Hoods	147
Economizer inlet hood	147
Economizer exhaust hood	148
Back inlet hood	148
Side inlet hood	150
Exhaust hood	152
Humidifier	153
Intake Section	155
Mixing Box	157
Mixing Box Openings	166
Short Mixing Box	174
Mixing Box with Side Dampers	177
Mixing Box with Side Traq Dampers	180
Multizone	184
Pipe Chase	204
Roof Curb	205
Silencers	206
Trane Catalytic Air Cleaning System (TCACS)	208
Ultraviolet Lights	210

Dimensions

Service Clearance Recommendations

A minimum clearance of the section width plus 12 inches on the access door side of the gas heat section is recommended for routine maintenance. This clearance provides enough room to replace the heat exchanger in the event of failure. The section side panels must be removed to access the heat exchanger. Refer to [Figure 1](#) for service clearance recommendations for the air handler.

Figure 1. Service clearance for indoor units

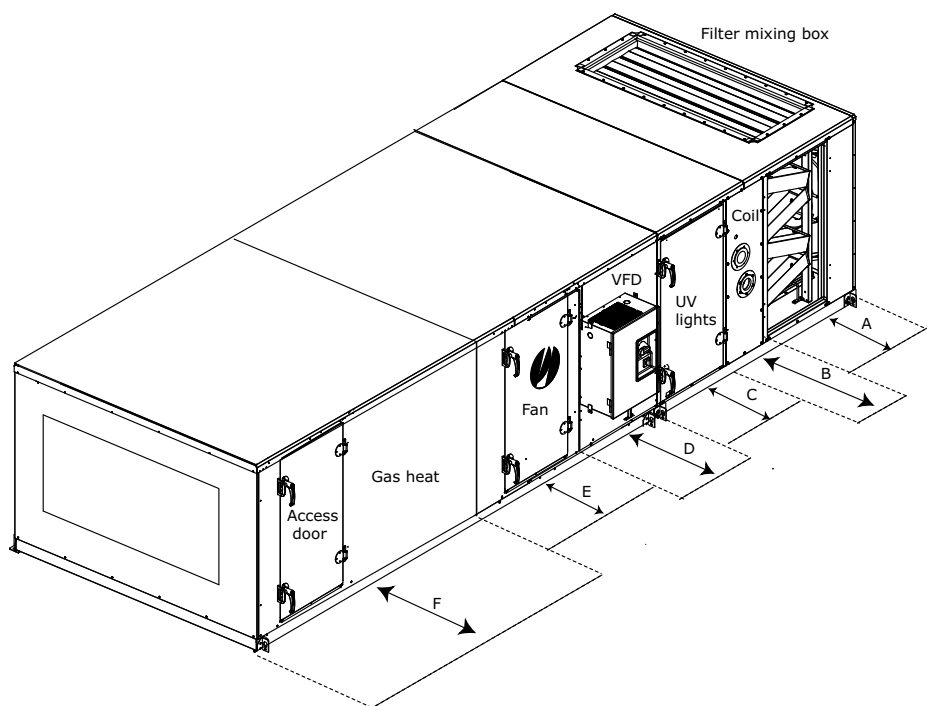


Table 1. Service clearance dimensions (inches)

Component	3	4	6	8	10	12	14	17	21	22	25	26	30	31	35	36	40	41	50	51	57	58	66	80	100	120	
A (filter)	48	48	48	48	48	48	48	48	48	48	48	48	48	48	48	48	48	48	48	48	48	48	48	52	56	58	58
B (coil)	48	59	59	66	77	82	87	87	95	77	95	77	109	87	115	96	128	96	141	110	141	110	156	156	170	197	
C (UV Lights)	48	48	48	48	48	48	48	48	48	48	48	48	48	48	48	48	48	48	48	48	48	48	48	52	56	58	58
C (Catalytic Air Cleaner)	43	59	59	63	75	81	83	83	58	75	58	75	83	83	75	59	83	83	83	83	83	83	83	83	83	75	83
D (external starter or VFD)	61	61	61	61	61	61	61	61	64	64	64	64	64	64	64	64	64	64	64	64	64	64	64	64	64	64	64
D (internal starter or VFD)	48	48	48	48	48	48	48	48	48	48	48	48	48	48	48	48	48	48	48	48	48	48	48	48	48	48	48
E (fan)	48	48	48	48	51	54	58	61	60	51	66	51	66	58	66	60	70	60	77	66	77	66	93	93	101	101	
F (gas heat - Ext Vestibule)	n/a	n/a	89	90	108	100	100	105	115	n/a	115	n/a	118	n/a	136	n/a	140	n/a	156	n/a	156	n/a	170	179	180	n/a	
F (gas heat - Int Vestibule)	n/a	n/a	56	63	74	79	84	84	92	n/a	92	n/a	106	n/a	112	n/a	125	n/a	138	n/a	138	n/a	153	153	167	194	

Note: At a minimum, the above clearance dimensions are recommended on one side of the unit for regular service and maintenance. Refer to as-built submittal for locations of items such as filter access doors, coil, piping connections, motor locations, hoods, pipe cabinets, etc. Sufficient clearance must be provided on all sides of unit for removal of access panels, plug panels, or section-to-section attachment brackets. Clearance for starters, VFDs, or other high-voltage devices must be provided per NEC requirements.

Note: For specific dimensional and weight information, refer to the unit submittals. The dimensions and weights in this manual are approximate. Trane has a policy of continuous product and product data improvement and reserves the right to change design and specifications without notice.

Outdoor unit dimensions

Figure 2. Outdoor unit

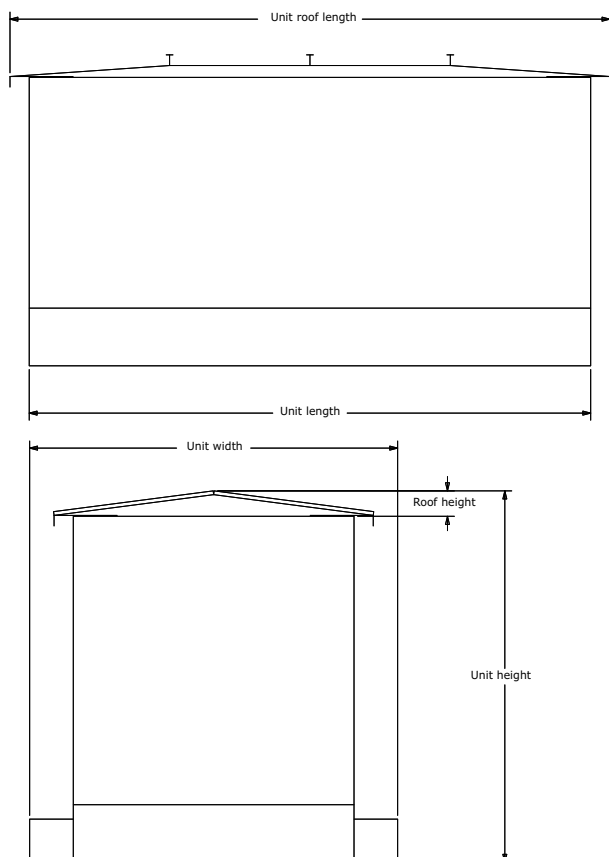


Table 2. Outdoor unit dimensions (inches)

Unit size	Unit width ²	Roof height	Unit height ¹
3	38.31	2.20	37.20
4	50.81	2.33	37.33
6	50.81	2.33	43.58
8	57.31	2.33	46.08
10	68.31	2.33	46.08
12	73.31	2.70	50.20
14	78.81	2.70	50.20
17	78.81	2.70	57.70
21	86.81	2.70	61.45
25	86.81	2.70	70.20
30	100.31	2.70	70.20
35	106.81	2.70	75.95
40	119.31	2.70	75.95
50	132.31	3.58	85.33
57	132.31	3.58	95.08
66	147.31	3.58	102.08
80	147.31	3.58	117.08
100	161.31	3.58	129.33
120	188.81	3.58	129.33

Note: ¹If the unit is installed on a roof curb, there is an additional 0.125-inch height from the drip lip. Unit height includes 6-inch base rail height. ²Unit width is the external unit width plus the lug dimension (6.81 inches). The unit roof length is equal to the total unit length plus 1.5-inch overhand on each end (unit length plus 3 inches).

Access/Turning Section

Figure 3. Access/turning section

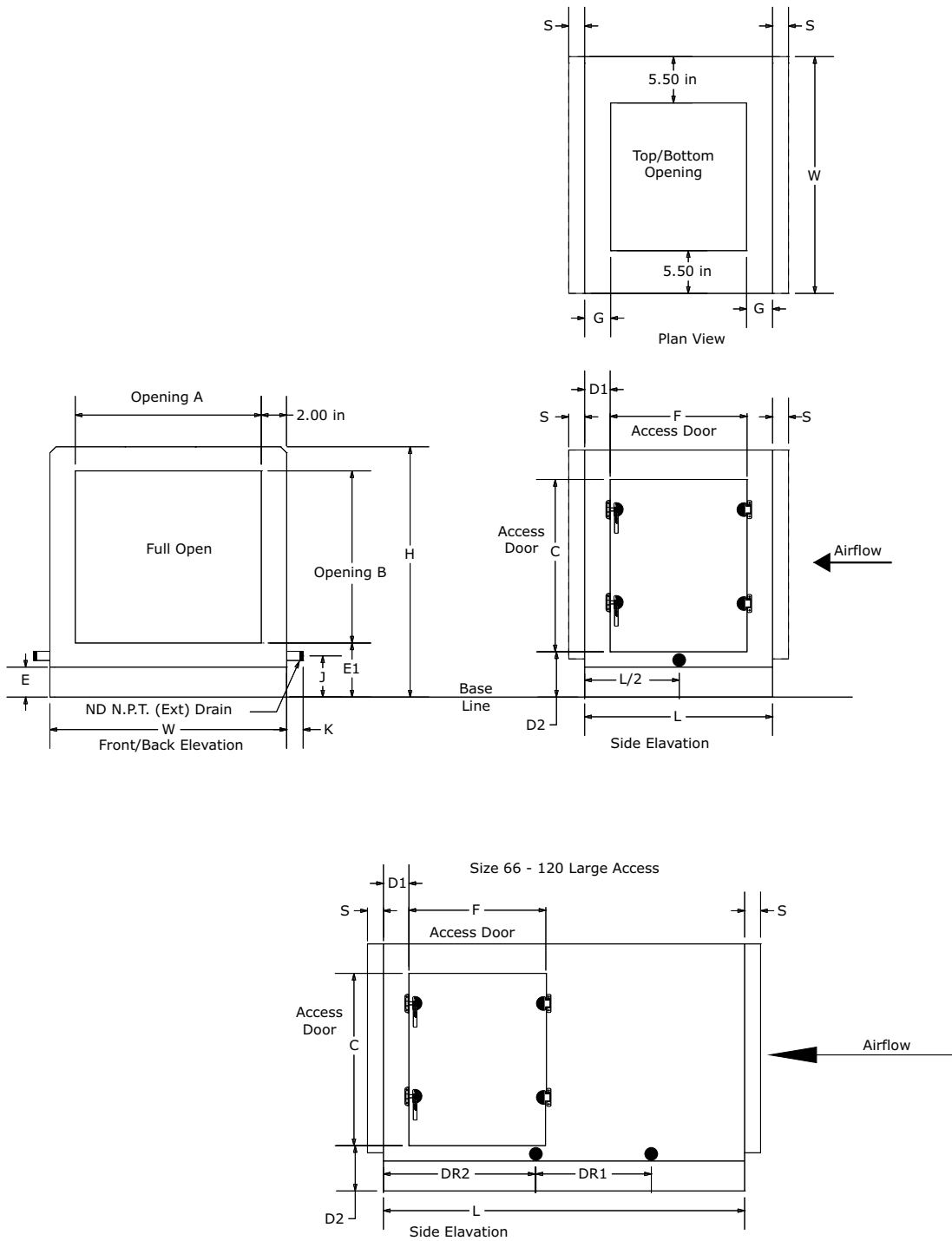


Table 3. Access/turning section dimensions (inches)

Unit Size	W	H	Front/Back Opening		Inward Door ⁴			Outward Door ⁵			Base ²		Drain Pan ⁶				NPT	Ship Split S ¹
			A	B	Hinge ³	C	D2	Hinge ³	C	D2	E	E1	J	K	DR2	DR1		
3	31.50	29.00	27.50	22.50	AE	19.38	5.38	AE	22.25	4.25	2.50	4.50	3.38	2.63	n/a	n/a	1.00	1.00
4	44.00	29.00	40.00	22.50	AE	19.38	5.38	AE	22.25	4.25	2.50	4.50	3.38	2.63	n/a	n/a	1.00	1.00
6	44.00	35.25	40.00	28.75	AE	25.63	5.38	AE	28.50	4.25	2.50	4.50	3.38	2.63	n/a	n/a	1.00	1.00
8	50.50	37.75	46.50	31.25	AE	28.13	5.38	AE	31.00	4.25	2.50	4.50	3.38	2.63	n/a	n/a	1.00	1.00
10	61.50	37.75	57.50	31.25	AE	28.13	5.38	AE	31.00	4.25	2.50	4.50	3.38	2.63	n/a	n/a	1.00	1.00
12	66.50	41.50	62.50	35.00	AE	31.88	5.38	AE	34.75	4.25	2.50	4.50	3.38	2.63	n/a	n/a	1.00	1.00
14	72.00	41.50	68.00	35.00	AE	31.88	5.38	AE	34.75	4.25	2.50	4.50	3.38	2.63	n/a	n/a	1.00	1.00
17	72.00	49.00	68.00	42.50	AE	39.38	5.38	AE	42.25	4.25	2.50	4.50	3.38	2.63	n/a	n/a	1.00	1.00
21	80.00	52.75	76.00	46.25	AE	43.13	5.38	AE	46.00	4.25	2.50	4.50	3.38	2.63	n/a	n/a	1.00	1.00
22	61.50	67.25	57.50	60.75	AE	57.63	5.38	AE	60.50	4.25	2.50	4.50	3.75	3.63	n/a	n/a	1.25	1.00
25	80.00	61.50	76.00	55.00	AE	51.88	5.38	AE	54.75	4.25	2.50	4.50	3.38	2.63	n/a	n/a	1.00	1.00
26	61.50	85.50	57.50	79.00	AE	57.63	5.38	AE	60.50	4.25	2.50	4.50	3.75	3.63	n/a	n/a	1.25	26
30	93.50	61.50	89.50	55.00	AE	51.88	5.38	AE	54.75	4.25	2.50	4.50	3.38	2.63	n/a	n/a	1.00	1.00
31	72.00	85.50	68.00	79.00	AE	57.63	5.38	AE	60.50	4.25	2.50	4.50	3.75	3.63	n/a	n/a	1.25	1.00
35	100.00	67.25	96.00	60.75	AE	57.63	5.38	AE	60.50	4.25	2.50	4.50	3.75	3.63	n/a	n/a	1.25	1.00
36	80.00	89.00	76.00	82.50	AE	57.63	5.38	AE	60.50	4.25	2.50	4.50	3.75	3.63	n/a	n/a	1.25	1.00
40	112.50	67.25	108.50	60.75	AE	57.63	5.38	AE	60.50	4.25	2.50	4.50	3.75	3.63	n/a	n/a	1.25	1.00
41	80.00	104.00	76.00	97.50	AE	57.63	5.38	AE	60.50	4.25	2.50	4.50	3.75	3.63	n/a	n/a	1.25	1.00
50	125.50	75.75	121.50	69.25	AE	66.13	5.38	AE	69.00	4.25	2.50	4.50	3.75	3.63	n/a	n/a	1.25	1.00
51	93.50	104.00	89.50	97.50	AE	57.63	5.38	AE	60.50	4.25	2.50	4.50	3.75	3.63	n/a	n/a	1.25	1.00
57	125.50	85.50	121.50	79.00	AE	57.63	5.38	AE	60.50	4.25	2.50	4.50	3.75	3.63	n/a	n/a	1.25	1.00
58	93.50	116.25	89.50	109.75	AE	57.63	5.38	AE	60.50	4.25	2.50	4.50	3.75	3.63	n/a	n/a	1.25	1.00
66	140.50	92.50	136.50	82.50	AE	57.63	8.88	AE	60.50	7.75	6.00	8.00	7.63	3.63	12.25	24.50	1.50	1.00
80	140.50	107.50	136.50	97.50	AE	57.63	8.88	AE	60.50	7.75	6.00	8.00	7.63	3.63	12.25	27.00	1.50	1.00
100	154.50	119.75	150.50	109.75	AE	57.63	8.88	AE	60.50	7.75	6.00	8.00	7.63	3.63	23.25	24.50	1.50	1.00
120	182.00	119.75	178.00	109.75	AE	57.63	8.88	AE	60.50	7.75	6.00	8.00	7.63	3.63	23.25	24.50	1.50	1.00

Note: ¹Shipping split flange dimension is for shipping planning purposes only and does not add to installed overall unit length. ²Base line includes the height for standard 2.5-inch integral base frame on unit sizes 3-57 and 6-inch integral base frame on unit sizes 66-120. ³Hinged on air-entering (AE) side or air-leaving (AL) side. ⁴Inward swing doors are dimensioned to door opening. ⁵Outward swing door opening is (F-2.73) by (C-1.80). ⁶Drain pan connection dimension is nominal pipe size. IAQ drain pan connections can be either LH or RH, but not both.

Table 4. Access/turning small, medium, and extended medium section dimensions (inches)

Unit Size	Small					Medium					Extended Medium				
	Inward Door ⁴			Outward Door ⁵		Inward Door ⁴			Outward Door ⁵		Inward Door ⁴			Outward Door ⁵	
	L	C	D1	F	D1	L	F	D1	F	D1	L	F	D1	F	D1
3-58	10.00			No Door		14.00		n/a	9.88	2.13	19.00	12.13	3.50	14.88	2.13
66-120	10.00			No Door		15.00		n/a	10.88	2.13	19.00	12.13	3.50	14.88	2.13



Dimensions

Table 5. Access/turning medium large and large section dimensions (inches)

Unit Size	Medium Large					Large							
	Inward Door ⁴			Outward Door ⁵		L	Inward Door ⁴			Outward Door ⁵		Turning	
	L	F	D1	F	D1		F	D1	F	D1	G	V	
3-6	24.50	17.63	3.50	20.38	2.13	34.00	16.00	9.00	18.75	7.63	4.13	5.50	
8-14	26.50	19.63	3.50	22.38	2.13	36.00	16.00	10.00	18.75	8.63	4.13	5.50	
17	24.50	17.63	3.50	20.38	2.13	36.00	17.63	9.25	20.38	7.88	4.13	5.50	
21	24.50	17.63	3.50	20.38	2.13	34.00	16.00	9.00	18.75	7.63	4.13	5.50	
22	26.50	19.63	3.50	22.38	2.13	36.00	17.63	9.25	20.38	7.88	n/a	n/a	
25	24.50	17.63	3.50	20.38	2.13	46.00	17.63	14.25	20.38	12.88	4.13	5.50	
26	26.50	19.63	3.50	22.38	2.13	46.00	17.63	14.25	20.38	12.88	n/a	n/a	
30	24.50	17.63	3.50	20.38	2.13	46.00	17.63	14.25	20.38	12.88	4.13	5.50	
31	26.50	19.63	3.50	22.38	2.13	46.00	17.63	14.25	20.38	12.88	n/a	n/a	
35	24.50	17.63	3.50	20.38	2.13	48.00	17.63	15.25	20.38	13.88	5.75	10.00	
36	29.50	22.63	3.50	25.38	2.13	46.00	17.63	14.25	20.38	12.88	n/a	n/a	
40	24.50	17.63	3.50	20.38	2.13	48.00	17.63	15.25	20.38	13.88	5.75	10.00	
41	29.50	22.63	3.50	25.38	2.13	46.00	17.63	14.25	20.38	12.88	n/a	n/a	
50	24.50	17.63	3.50	20.38	2.13	48.00	17.63	15.25	20.38	13.88	5.75	10.00	
51	29.50	22.63	3.50	25.38	2.13	46.00	17.63	14.25	20.38	12.88	n/a	n/a	
57	24.50	17.63	3.50	20.38	2.13	48.00	17.63	15.25	20.38	13.88	n/a	n/a	
58	29.50	22.63	3.50	25.38	2.13	46.00	17.63	14.25	20.38	12.88	n/a	n/a	
66	24.50	17.63	3.50	20.38	2.13	49.00	17.63	15.75	20.38	14.38	n/a	n/a	
80	24.50	17.63	3.50	20.38	2.13	54.00	17.63	18.25	20.38	16.88	n/a	n/a	
100, 120	24.50	17.63	3.50	20.38	2.13	60.00	17.63	21.25	20.38	19.88	n/a	n/a	

Table 6. Access/turning extra large section dimensions (inches)

Unit Size	Extra Large						
	L	Inward Door		Outward Door		Turning	
		F	D1	F	D1	G	V
3	36.00	17.63	9.25	20.38	7.88	4.13	5.50
4, 6	41.00	17.63	11.75	20.38	10.38	4.13	5.50
8	44.00	19.63	12.25	22.38	10.88	4.13	5.50
10, 12, 14	42.50	19.63	11.50	22.38	10.13	4.13	5.50
17	44.00	17.63	13.25	20.38	11.88	4.13	5.50
21	50.25	17.63	16.38	20.38	15.00	4.13	5.50
22, 26, 31, 36, 41	n/a	n/a	n/a	n/a	n/a	n/a	n/a
25, 30	56.50	17.63	19.50	20.38	18.13	4.13	5.50
35, 40	63.75	17.63	23.13	20.38	21.75	5.75	10.00
50	68.50	17.63	25.50	20.38	24.13	5.75	10.00
51-120	n/a	n/a	n/a	n/a	n/a	n/a	n/a

Air-to-Air Plate Frame Heat Exchangers

Figure 4. Air-to-air plate frame heat exchanger

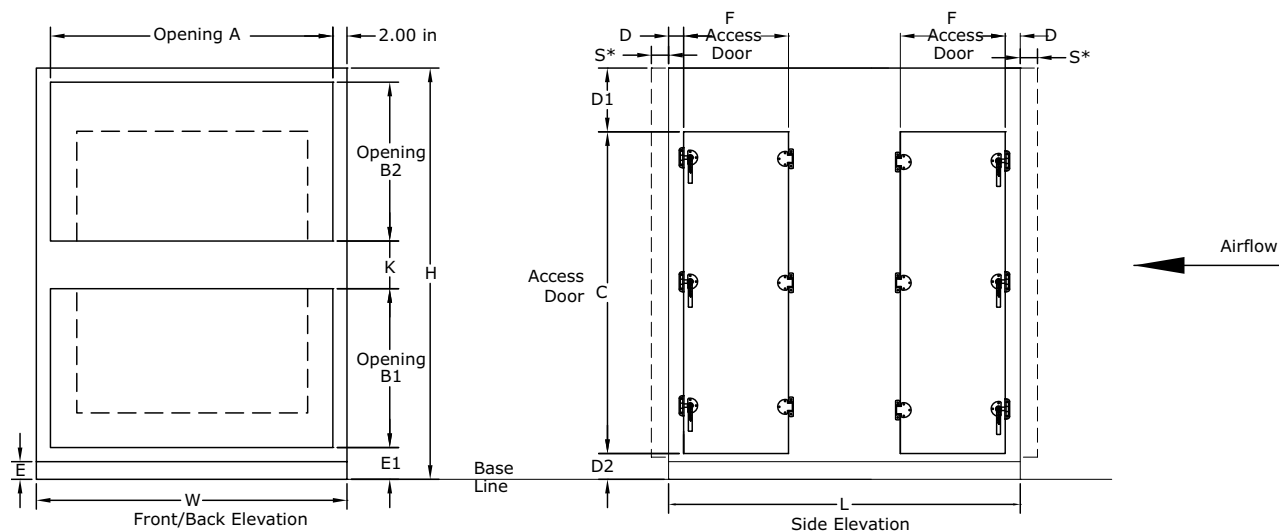


Table 7. Air-to-air plate frame heat exchanger dimensions

Unit Size	HEX Type	Front/Back Opening						Outward Door ⁴					Base		Ship Split	
		W	H	L	A	B1	B2	C	D	D1	D2	F	K	E	E1	S*
3	BYPS/HIEF	31.50	58.25	54.50	27.50	22.50	22.50	51.50	6.75	2.63	4.25	14.88	6.75	2.50	4.50	1.00
4	BYPS/HIEF	44.00	58.25	54.50	40.00	22.50	22.50	51.50	6.75	2.63	4.25	14.88	6.75	2.50	4.50	1.00
6	BYPS/HIEF	44.00	70.75	63.00	40.00	28.75	28.75	64.00	6.75	2.63	4.25	17.38	6.75	2.50	4.50	1.00
8	BYPS/HIEF	50.50	75.75	63.00	46.50	31.25	31.25	69.00	6.75	2.63	4.25	17.38	6.75	2.50	4.50	1.00
10	BYPS/HIEF	61.50	75.75	71.00	57.50	31.25	31.25	69.00	6.75	2.63	4.25	20.38	6.75	2.50	4.50	1.00
	LOW	61.50	75.75	54.50	57.50	31.25	31.25	69.00	6.75	2.63	4.25	14.88	6.75	2.50	4.50	1.00
12	BYPS/HIEF	66.50	83.25	71.00	62.50	35.00	35.00	76.50	6.75	2.63	4.25	20.38	6.75	2.50	4.50	1.00
	LOW	66.50	83.25	63.00	62.50	35.00	35.00	76.50	6.75	2.63	4.25	17.38	6.75	2.50	4.50	1.00
14	BYPS/HIEF	72.00	83.25	71.00	68.00	35.00	35.00	76.50	6.75	2.63	4.25	20.38	6.75	2.50	4.50	1.00
	LOW	72.00	83.25	63.00	68.00	35.00	35.00	76.50	6.75	2.63	4.25	17.38	6.75	2.50	4.50	1.00
17	BYPS/HIEF	72.00	98.25	93.50	68.00	42.50	42.50	91.50	6.75	2.63	4.25	20.38	6.75	2.50	4.50	1.00
	LOW	72.00	98.25	71.00	68.00	42.50	42.50	91.50	6.75	2.63	4.25	20.38	6.75	2.50	4.50	1.00
21	BYPS/HIEF	80.00	105.75	93.50	76.00	46.25	46.25	99.00	6.75	2.63	4.25	20.38	6.75	2.50	4.50	1.00
	LOW	80.00	105.75	82.50	76.00	46.25	46.25	99.00	6.75	2.63	4.25	20.38	6.75	2.50	4.50	1.00
25	BYPS/HIEF	80.00	123.25	110.00	76.00	55.00	55.00	109.50	2.13	9.63	4.25	20.38	6.75	2.50	4.50	1.00
	LOW	80.00	123.25	93.50	76.00	55.00	55.00	109.50	2.13	9.63	4.25	20.38	6.75	2.50	4.50	1.00
30	BYPS/HIEF	93.50	123.25	110.00	89.50	55.00	55.00	109.50	2.13	9.63	4.25	20.38	6.75	2.50	4.50	1.00
	LOW	93.50	123.25	100.00	89.50	55.00	55.00	109.50	2.13	9.63	4.25	20.38	6.75	2.50	4.50	1.00
35	BYPS/HIEF	100.00	134.75	110.00	96.00	60.75	60.75	109.50	2.13	21.13	4.25	20.38	6.75	2.50	4.50	1.00
40	BYPS/HIEF	112.50	134.75	110.00	108.50	60.75	60.75	109.50	2.13	21.13	4.25	20.38	6.75	2.50	4.50	1.00
50	LOW	125.50	151.75	110.00	121.50	69.25	69.25	109.50	2.13	38.13	4.25	20.38	6.75	2.50	4.50	1.00

Blenders

Figure 5. Blender section

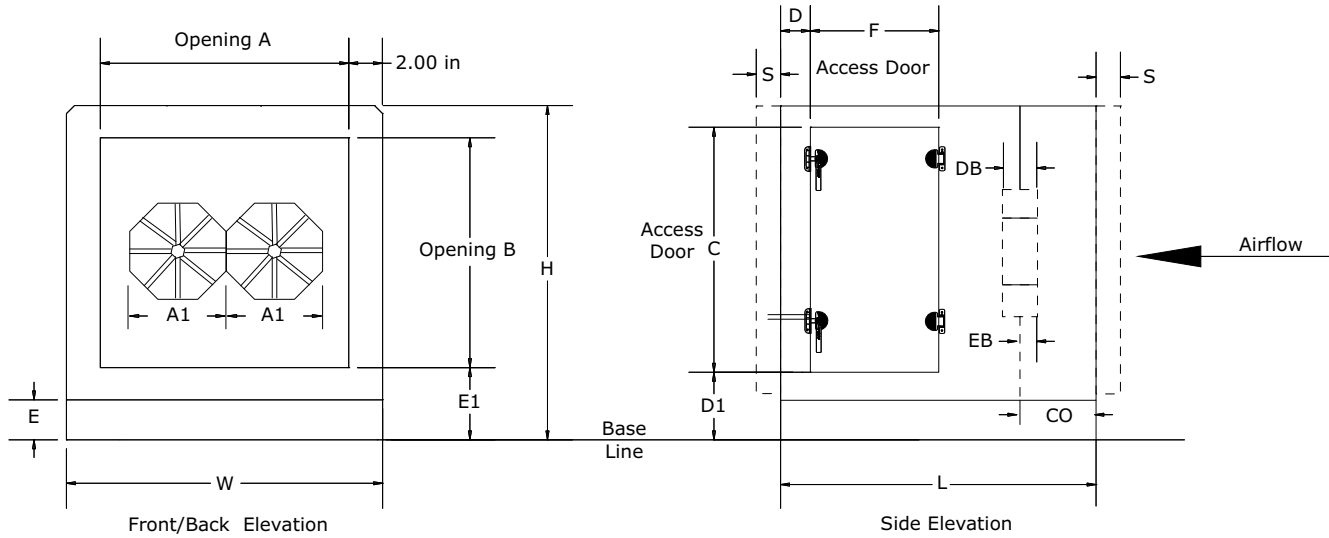


Table 8. Blender section dimensions (inches)

Unit size	W	L	H	A	B	C	D	D1	Base ²		Ship split	
									E	E1	F	S ¹
3	31.50	19.00	29.00	27.50	22.50	22.25	2.13	4.25	2.50	4.50	14.88	1.00
4	44.00	24.50	29.00	40.00	22.50	22.25	2.13	4.25	2.50	4.50	14.88	1.00
6	44.00	24.50	35.25	40.00	28.75	28.50	2.13	4.25	2.50	4.50	14.88	1.00
8	50.50	26.50	37.75	46.50	31.25	31.00	2.13	4.25	2.50	4.50	14.88	1.00
10	61.50	36.00	37.75	57.50	31.25	31.00	7.88	4.25	2.50	4.50	20.38	1.00
12	66.50	36.00	41.50	62.50	35.00	34.75	7.88	4.25	2.50	4.50	20.38	1.00
14	72.00	36.00	41.50	68.00	35.00	34.75	7.88	4.25	2.50	4.50	20.38	1.00
17	72.00	36.00	49.00	68.00	42.50	42.25	7.88	4.25	2.50	4.50	20.38	1.00
21	80.00	34.00	52.75	76.00	46.25	46.00	6.88	4.25	2.50	4.50	20.38	1.00
22	61.50	30.50	67.25	57.50	60.75	46.00	2.13	4.25	2.50	4.50	20.38	1.00
25	80.00	46.00	61.50	76.00	55.00	54.75	12.88	4.25	2.50	4.50	20.38	1.00
26	61.50	36.00	85.50	57.50	79.00	54.75	2.13	4.25	2.50	4.50	20.38	1.00
30	93.50	46.00	61.50	89.50	55.00	54.75	12.88	4.25	2.50	4.50	20.38	1.00
31	72.00	40.00	85.50	68.00	79.00	54.75	7.00	4.25	2.50	4.50	20.38	1.00
35	100.00	48.00	67.25	96.00	60.75	60.50	12.88	4.25	2.50	4.50	20.38	1.00
36	80.00	40.00	89.00	76.00	82.50	60.50	7.00	4.25	2.50	4.50	20.38	1.00
40	112.50	48.00	67.25	108.50	60.75	60.50	12.88	4.25	2.50	4.50	20.38	1.00
41	80.00	48.00	104.00	76.00	97.50	60.50	7.00	4.25	2.50	4.50	20.38	1.00
50	125.50	48.00	75.75	121.50	69.25	69.00	12.88	4.25	2.50	4.50	20.38	1.00
51	93.50	48.00	104.00	89.50	97.50	60.50	7.00	4.25	2.50	4.50	20.38	1.00
57	125.50	48.00	85.50	121.50	79.00	60.50	12.88	4.25	2.50	4.50	20.38	1.00
58	93.50	48.00	116.25	89.50	109.75	60.50	7.00	4.25	2.50	4.50	20.38	1.00

Table 8. Blender section dimensions (inches)

Unit size	W	L	H	A	B	C	D	D1	Base ²		Ship split	
									E	E1	F	S ¹
66	140.50	49.00	92.50	136.50	82.50	60.50	12.88	7.75	6.00	8.00	20.38	1.00
80	140.50	54.00	107.50	136.50	97.50	60.50	12.88	7.75	6.00	8.00	20.38	1.00
100	154.50	60.00	119.75	150.50	109.75	60.50	12.88	7.75	6.00	8.00	20.38	1.00
120	182.00	60.00	119.75	178.00	109.75	60.50	12.88	7.75	6.00	8.00	20.38	1.00

Note: ¹Shipping split flange dimension is for shipping planning purposes only and does not add to installed overall unit length. ²Base line includes the height for standard 2.5-inch integral base frame on unit sizes 3-57 and 6-inch integral base frame on unit sizes 66-120.

Table 9. Blender section dimensions (inches)

Unit Size	Total Blender Weight (lb.)	Number of Blenders	Blender Size			
			A1	DB	EB	CO
3	8.00	1	18	3.94	2.00	1.36
4	9.00	1	20	3.94	2.00	1.36
6	12.00	1	24	4.81	2.00	1.36
8	15.00	1	26	5.56	2.00	1.36
10	16.00	1	28	5.56	2.00	1.36
12	22.00	1	32	6.56	2.00	1.36
14	22.00	1	32	6.56	2.00	1.36
17	32.00	2	28	5.56	2.00	1.36
21	36.00	2	30	5.56	2.00	1.36
22	32.00	1	40	8.00	2.00	7.00
25	44.00	2	32	6.56	2.00	1.36
26	36.00	1	44	8.00	2.00	11.00
30	50.00	2	36	6.56	2.00	1.36
31	40.00	1	48	8.00	2.00	10.00
35	50.00	2	36	6.56	2.00	7.00
36	61.00	1	52	9.31	2.50	10.00
40	66.00	3	32	6.56	2.00	8.00
41	73.00	1	56	10.39	2.50	13.00
50	75.00	3	36	6.56	2.00	10.00
51	97.00	1	66	11.65	2.50	10.00
57	90.00	3	38	6.56	2.00	12.00
58	97.00	1	66	11.65	2.50	14.00
66	102.00	3	42	8.00	2.00	12.00
80	108.00	3	44	8.00	2.00	15.00
100	120.00	3	48	8.00	2.00	18.00
120	219.00	3	56	10.39	2.50	16.00

Note: ¹Shipping split flange dimension is for shipping planning purposes only and does not add to installed overall unit length. ²Base line includes the height for standard 2.5-inch integral base frame on unit sizes 3-57 and 6-inch integral base frame on unit sizes 66-120.

Cool Dry Quiet (CDQ™) Desiccant Dehumidification Wheel

Figure 6. CDQ wheel sizes 3-21

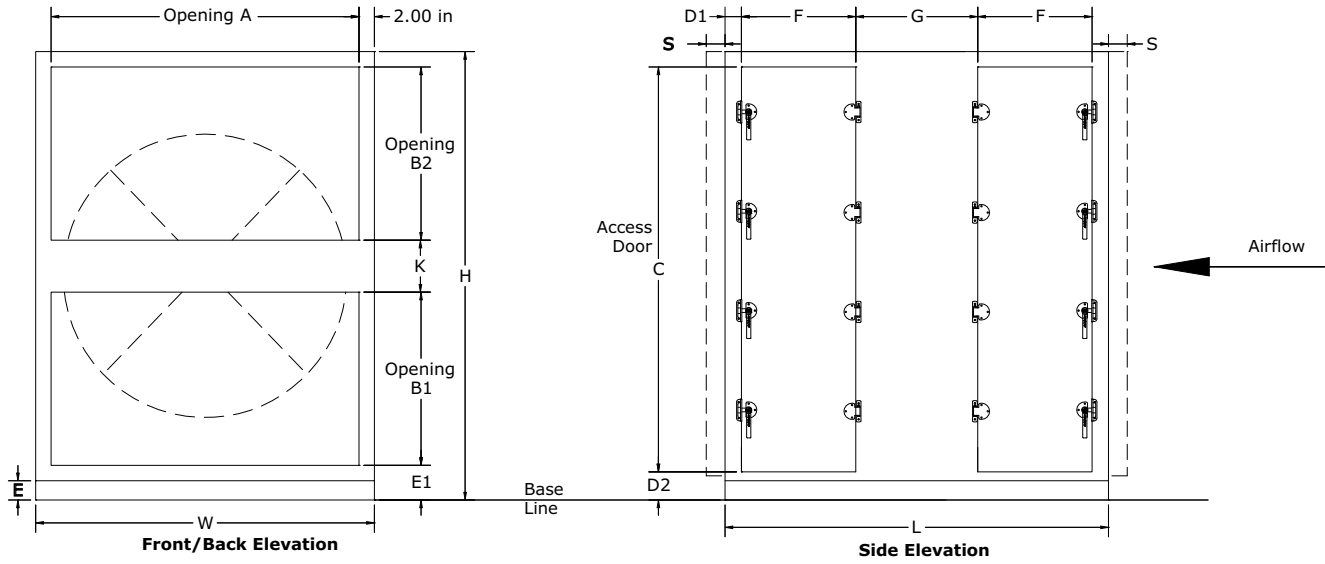


Figure 7. CDQ wheel sizes 25-50

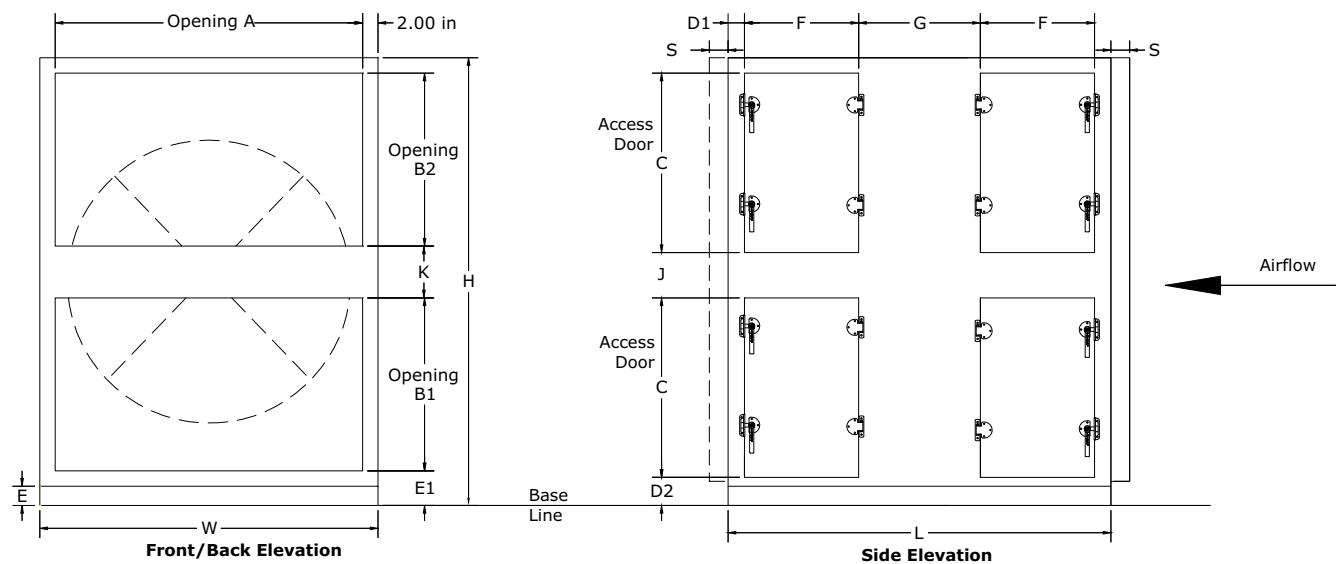


Table 10. CDQ section dimensions (inches)

Unit Size	W	H	L	Front/Back Opening			Outward Door ⁴							Base ²			
				A	B1	B2	Hinge ³	C	D1	D2	F	G	J	K	E	E1	S ¹
3	31.50	58.25	52.25	27.50	22.50	22.50	AE	51.50	2.13	4.25	14.88	18.50	6.75	2.50	4.50	1.00	
4	44.00	58.25	52.25	40.00	22.50	22.50	AE	51.50	2.13	4.25	14.88	18.50	6.75	2.50	4.50	1.00	
6	44.00	70.75	52.25	40.00	28.75	28.75	AE	64.00	2.13	4.25	14.88	18.50	6.75	2.50	4.50	1.00	
8	50.50	75.75	52.25	46.50	31.25	31.25	AE	69.00	2.13	4.25	14.88	18.50	6.75	2.50	4.50	1.00	
10	61.50	75.75	54.50	57.50	31.25	31.25	AE	69.00	2.13	4.25	14.88	20.75	6.75	2.50	4.50	1.00	
12	66.50	83.25	57.50	62.50	35.00	35.00	AE	76.50	2.13	4.25	14.88	23.75	6.75	2.50	4.50	1.00	
14	72.00	83.25	57.50	68.00	35.00	35.00	AE	76.50	2.13	4.25	14.88	23.75	6.75	2.50	4.50	1.00	
17	72.00	98.25	57.50	68.00	42.50	42.50	AE	91.50	2.13	4.25	14.88	23.75	6.75	2.50	4.50	1.00	
21	80.00	105.75	55.50	76.00	46.25	46.25	AE	99.00	2.13	4.25	14.88	21.75	6.75	2.50	4.50	1.00	
25	80.00	123.25	55.50	76.00	55.00	55.00	AE	54.75	2.13	4.25	14.88	21.75	7.13	6.75	2.50	4.50	1.00
30	93.50	123.25	57.50	89.50	55.00	55.00	AE	54.75	2.13	4.25	14.88	23.75	7.13	6.75	2.50	4.50	1.00
35	100.00	134.75	56.25	96.00	60.75	60.75	AE	60.50	2.13	4.25	14.88	22.50	7.13	6.75	2.50	4.50	1.00
40	112.50	134.75	56.25	108.50	60.75	60.75	AE	60.50	2.13	4.25	14.88	22.50	7.13	6.75	2.50	4.50	1.00
50	125.50	151.75	58.75	121.50	69.25	69.25	AE	69.00	2.13	4.25	14.88	25.00	7.13	6.75	2.50	4.50	1.00

Note: ¹Shipping split flange dimension is for shipping planning purposes only and does not add to installed overall unit length. ²Base line includes the height for standard 2.5-inch integral base frame on unit sizes 3-57 and 6-inch integral base frame on unit sizes 66-120. ³Hinged on air-entering (AE) side or air-leaving (AL) side. ⁴Outward swing door opening is (F-2.73)by(C-1.80).

Table 11. CDQ wheel availability

Unit Size	Wheel Size	
	One Bypass Damper ¹	Two Bypass Dampers
3	1000	n/a
4	2000	1500 - 1000
6	n/a	2000
8	n/a	3000
10	5000	4000
12	6000	5000
14	7000	6000
17	n/a	7000
21	10,500	8500
25	n/a	10,500
30	n/a	13,000
35	17,500	15,000
40	20,000	17,500
50	25,000	20,000

Note: ¹Wheel option is not available at the unit nominal air flow for unit sizes 6,8,17,25 and 30.

Figure 8. CDQ wheel cassette

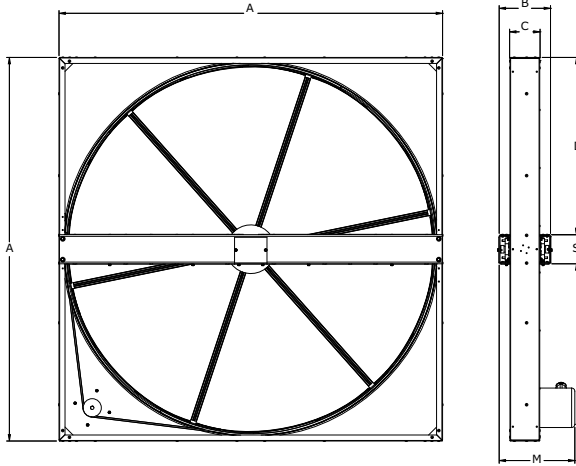


Table 12. CDQ wheel cassette dimensions

Unit sizes available	CFM	A	B	C	D	S	M
3	1000	27.00	7.00	7.00	12.57	1.86	10.61
4	1500	34.00	7.00	7.00	16.00	2.00	10.61
4,6	2000	39.00	7.00	7.00	18.51	1.98	12.18
8	3000	42.00	7.00	7.00	19.75	2.50	12.18
10	4000	48.00	7.00	7.00	22.75	2.50	12.18
10,12	5000	54.00	8.00	8.00	25.63	2.75	12.80
12,14	6000	60.00	8.00	8.00	28.63	2.75	12.80
14,17	7000	66.00	8.00	8.00	31.63	2.75	12.80
21	8500	72.00	9.00	9.00	33.93	4.15	13.10
21,25	10,500	76.00	9.00	9.00	35.93	4.15	13.10
30	13,000	84.00	9.50	9.50	39.43	5.14	13.35
35	15,000	90.00	9.50	9.50	42.43	5.15	13.35
35,40	17,500	96.00	12.00	12.00	44.93	6.15	14.65
40,50	20,000	102.00	12.00	12.00	47.93	6.15	14.65
50	25,000	116.20	14.80	14.60	48.50	7.10	16.30

Figure 9. CDQ external junction box and starter enclosure

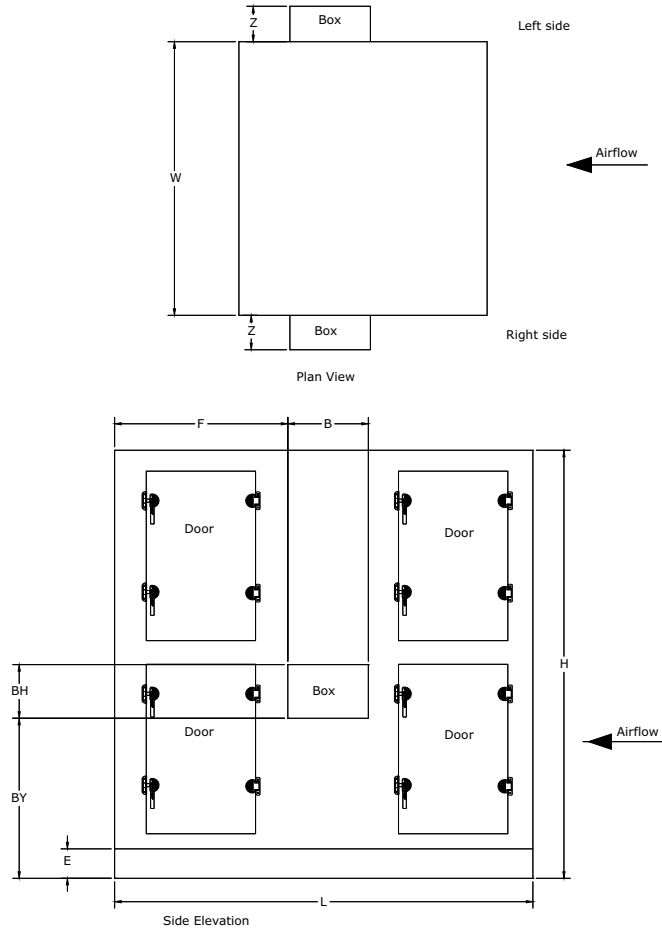


Table 13. CDQ external junction box dimensions (inches)

Unit size	W	H	L	E	Height	Width	Depth	Edge width	Edge height
					BH	B	Z	F	BY
3	31.50	58.25	52.25	2.50	4.25	4.25	3.25	19.38	21.75
4	44.00	58.25	52.25	2.50	4.25	4.25	3.25	19.38	21.75
6	44.00	70.75	52.25	2.50	4.25	4.25	3.25	19.38	21.75
8	50.50	75.75	52.25	2.50	4.25	4.25	3.25	19.38	21.75
10	61.50	75.75	54.50	2.50	4.25	4.25	3.25	19.38	21.75
12	66.50	83.25	57.50	2.50	4.25	4.25	3.25	19.38	21.75
14	72.00	83.25	57.50	2.50	4.25	4.25	3.25	19.38	21.75
17	72.00	98.25	57.50	2.50	4.25	4.25	3.25	19.38	21.75
21	80.00	105.75	55.50	2.50	4.25	4.25	3.25	19.38	21.75
25	80.00	123.25	55.50	2.50	4.25	4.25	3.25	19.38	21.75
30	93.50	123.25	57.50	2.50	4.25	4.25	3.25	19.38	21.75
35	100.00	134.75	56.25	2.50	4.25	4.25	3.25	19.38	21.75
40	112.50	134.75	56.25	2.50	4.25	4.25	3.25	19.38	21.75
50	125.50	151.75	58.75	2.50	4.25	4.25	3.25	19.38	26.75

Table 14. Starter enclosure for CDQ dimensions (inches)

Unit size	W	H	L	E	Height	Width	Depth	Edge width	Edge height
					BH	B	Z	F	BY
3	31.50	58.25	52.25	2.50	14.25	11.50	6.00	19.38	19.00
4	44.00	58.25	52.25	2.50	14.25	11.50	6.00	19.38	19.00
6	44.00	70.75	52.25	2.50	14.25	11.50	6.00	19.38	19.00
8	50.50	75.75	52.25	2.50	14.25	11.50	6.00	19.38	19.00
10	61.50	75.75	52.25	2.50	14.25	11.50	6.00	19.38	19.00
12	66.50	83.25	57.50	2.50	14.25	11.50	6.00	19.38	19.00
14	72.00	83.25	57.50	2.50	14.25	11.50	6.00	19.38	19.00
17	72.00	98.25	57.50	2.50	14.25	11.50	6.00	19.38	19.00
21	80.00	105.75	55.50	2.50	14.25	11.50	6.00	19.38	19.00
25	80.00	123.25	55.50	2.50	14.25	11.50	6.00	19.38	19.00
30	93.50	123.25	57.50	2.50	14.25	11.50	6.00	19.38	19.00
35	100.00	134.75	56.25	2.50	14.25	11.50	6.00	19.38	19.00
40	112.50	134.75	56.25	2.50	14.25	11.50	6.00	19.38	19.00
50	125.50	151.75	58.75	2.50	14.25	11.50	6.00	19.38	24.00

Coils

Horizontal Coil Section

Figure 10. Horizontal coil section

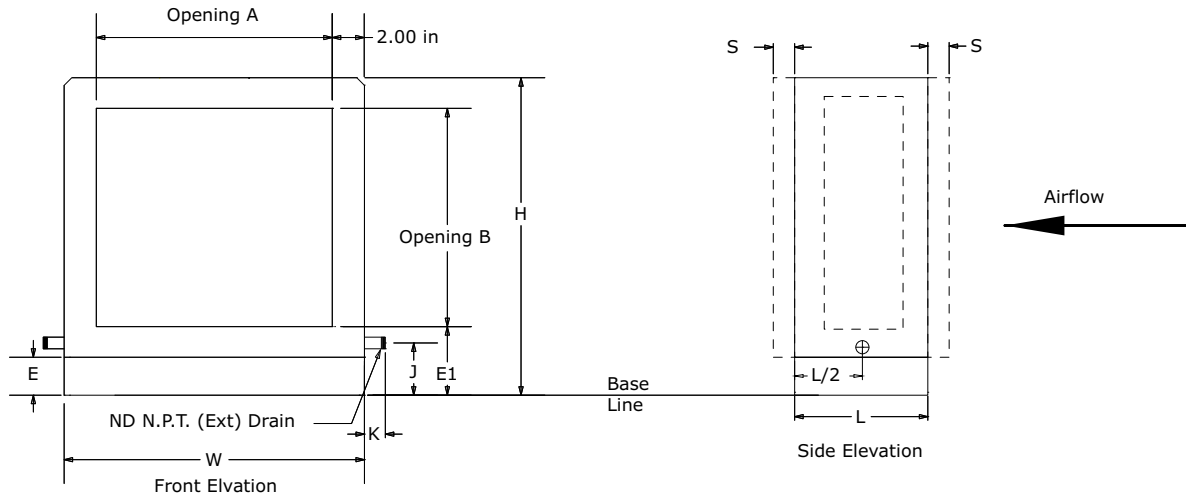


Table 15. Horizontal coil section dimensions (inches)

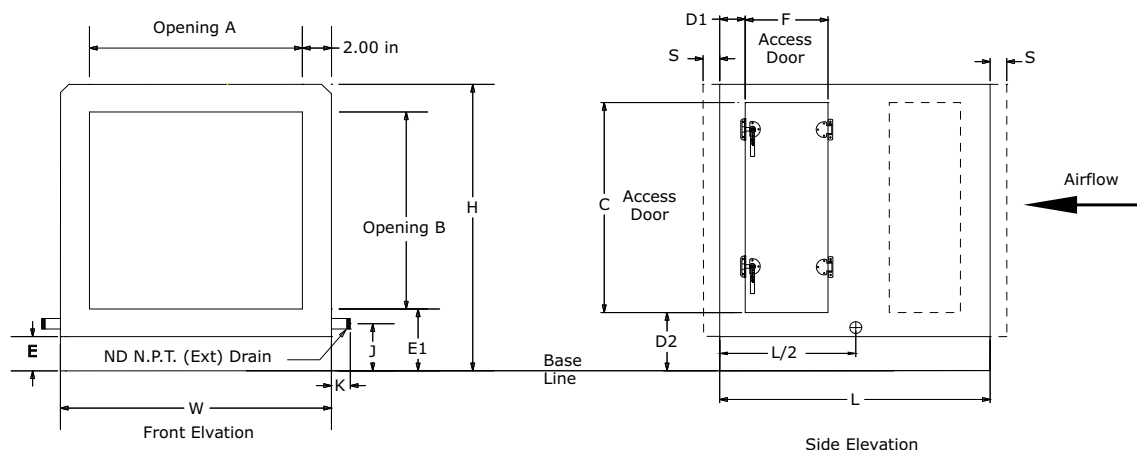
Unit Size	Front/Back Opening		Base ²		Drain Pan ³		ND (NPT)	Small L	Med L	Ext Med L	Med Lrg L	Lrg L	S ¹		
	W	H	A	B	E	E1								J	K
3	31.50	29.00	27.50	22.50	2.50	4.50	3.38	2.63	1.00	10.00	14.00	19.00	24.50	34.00	1.00
4	44.00	29.00	40.00	22.50	2.50	4.50	3.38	2.63	1.00	10.00	14.00	19.00	24.50	34.00	1.00
6	44.00	35.25	40.00	28.75	2.50	4.50	3.38	2.63	1.00	10.00	14.00	19.00	24.50	34.00	1.00
8	50.50	37.75	46.50	31.25	2.50	4.50	3.38	2.63	1.00	10.00	14.00	19.00	26.50	36.00	1.00
10	61.50	37.75	57.50	31.25	2.50	4.50	3.38	2.63	1.00	10.00	14.00	19.00	26.50	36.00	1.00
12	66.50	41.50	62.50	35.00	2.50	4.50	3.38	2.63	1.00	10.00	14.00	19.00	26.50	36.00	1.00
14	72.00	41.50	68.00	35.00	2.50	4.50	3.38	2.63	1.00	10.00	14.00	19.00	26.50	36.00	1.00
17	72.00	49.00	68.00	42.50	2.50	4.50	3.38	2.63	1.00	10.00	14.00	19.00	24.50	36.00	1.00
21	80.00	52.75	76.00	46.25	2.50	4.50	3.38	2.63	1.00	10.00	14.00	19.00	24.50	34.00	1.00
22	61.50	67.25	57.50	60.75	2.50	4.50	3.38	2.63	1.00	10.00	14.00	19.00	26.50	36.00	1.00
25	80.00	61.50	76.00	55.00	2.50	4.50	3.38	2.63	1.00	10.00	14.00	19.00	24.50	46.00	1.00
26	61.50	85.50	57.50	79.00	2.50	4.50	3.38	2.63	1.00	10.00	14.00	19.00	26.50	46.00	1.00
30	93.50	61.50	89.50	55.00	2.50	4.50	3.38	2.63	1.00	10.00	14.00	19.00	24.50	46.00	1.00
31	72.00	85.50	68.00	79.00	2.50	4.50	3.38	2.63	1.00	10.00	14.00	19.00	26.50	46.00	1.00
35	100.00	67.25	96.00	60.75	2.50	4.50	3.38	3.63	1.25	10.00	14.00	19.00	24.50	48.00	1.00
36	80.00	89.00	76.00	82.50	2.50	4.50	3.25	3.63	1.25	10.00	14.00	19.00	29.50	46.00	1.00
40	112.50	67.25	108.50	60.75	2.50	4.50	3.38	3.63	1.25	10.00	14.00	19.00	24.50	48.00	1.00
41	80.00	104.00	76.00	97.50	2.50	4.50	3.25	3.63	1.25	10.00	14.00	19.00	29.50	46.00	1.00
50	125.50	75.75	121.50	69.25	2.50	4.50	3.38	3.63	1.25	10.00	14.00	19.00	24.50	48.00	1.00
51	93.50	104.00	89.50	97.50	2.50	4.50	3.25	3.63	1.25	10.00	14.00	19.00	29.50	46.00	1.00
57	125.50	85.50	121.50	79.00	2.50	4.50	3.38	3.63	1.25	10.00	14.00	19.00	24.50	48.00	1.00
58	93.50	116.25	89.50	109.75	2.50	4.50	3.25	3.63	1.25	10.00	14.00	19.00	29.50	46.00	1.00

Table 15. Horizontal coil section dimensions (inches)

Unit Size	W	H	Front/Back Opening		Base ²		Drain Pan ³		ND (NPT)	Small L	Med L	Ext Med L	Med Lrg L	Lrg L	S ¹
			A	B	E	E1	J	K							
66	140.50	92.50	136.50	82.50	6.00	8.00	6.13	3.63	1.50	n/a	15.00	19.00	24.50	n/a	1.00
80	140.50	107.50	136.50	97.50	6.00	8.00	6.13	3.63	1.50	n/a	15.00	19.00	24.50	n/a	1.00
100	154.50	119.75	150.50	109.75	6.00	8.00	6.13	3.63	1.50	n/a	15.00	19.00	24.50	n/a	1.00
120	182.00	119.75	178.00	109.75	6.00	8.00	6.13	3.63	1.50	n/a	15.00	19.00	24.50	n/a	1.00

Note: ¹Shipping split flange dimension is for shipping planning purposes only and does not add to installed overall unit length. ²Base line includes the height for standard 2.5-inch integral base frame on unit sizes 3-57 and 6-inch integral base frame on unit sizes 66-120. ³Drain pan connection dimension is nominal pipe size. IAQ drain pan connections can be either LH or RH, but not both.

Coil Section with Inspection Door

Figure 11. Horizontal coil section with inspection door

Table 16. Horizontal coil section with inspection door dimensions (inches)

Unit Size	W	H	MedLrg L	Lrg L	Front/Back Opening		Base ²		Drain Pan ⁵		ND (NPT)	Door ^{3,4}						S ¹
					A	B	E	E1	J	K		Med D1	Lrg D1	D2	C	Med F	Lrg F	
3	31.50	29.00	24.50	34.00	27.50	22.50	2.50	4.50	3.38	2.63	1.00	2.13	2.13	4.25	22.25	9.88	14.88	1.00
4	44.00	29.00	24.50	34.00	40.00	22.50	2.50	4.50	3.38	2.63	1.00	2.13	2.13	4.25	22.25	9.88	14.88	1.00
6	44.00	35.25	24.50	34.00	40.00	28.75	2.50	4.50	3.38	2.63	1.00	2.13	2.13	4.25	28.50	9.88	14.88	1.00
8	50.50	37.75	26.50	36.00	46.50	31.25	2.50	4.50	3.38	2.63	1.00	2.13	2.13	4.25	31.00	9.88	14.88	1.00
10	61.50	37.75	26.50	36.00	57.50	31.25	2.50	4.50	3.38	2.63	1.00	2.13	2.13	4.25	31.00	9.88	14.88	1.00
12	66.50	41.50	26.50	36.00	62.50	35.00	2.50	4.50	3.38	2.63	1.00	2.13	2.13	4.25	34.75	9.88	14.88	1.00
14	72.00	41.50	26.50	36.00	68.00	35.00	2.50	4.50	3.38	2.63	1.00	2.13	2.13	4.25	34.75	9.88	14.88	1.00
17	72.00	49.00	24.50	36.00	68.00	42.50	2.50	4.50	3.38	2.63	1.00	2.13	2.13	4.25	42.25	9.88	14.88	1.00
21	80.00	52.75	24.50	34.00	76.00	46.25	2.50	4.50	3.38	2.63	1.00	2.13	2.13	4.25	46.00	9.88	14.88	1.00
22	61.50	67.25	26.50	36.00	57.50	60.75	2.50	4.50	3.38	2.63	1.00	2.13	2.13	4.25	60.50	9.88	14.88	1.00
25	80.00	61.50	24.50	46.00	76.00	55.00	2.50	4.50	3.38	2.63	1.00	2.13	2.13	4.25	54.75	9.88	14.88	1.00
26	61.50	85.50	26.50	46.00	57.50	79.00	2.50	4.50	3.38	2.63	1.00	2.13	2.13	4.25	60.50	9.88	14.88	1.00
30	93.50	61.50	24.50	46.00	89.50	55.00	2.50	4.50	3.38	2.63	1.00	2.13	2.13	4.25	54.75	9.88	14.88	1.00
31	72.00	85.50	26.50	46.00	68.00	79.00	2.50	4.50	3.38	2.63	1.00	2.13	2.13	4.25	60.50	9.88	14.88	1.00
35	100.00	67.25	24.50	48.00	96.00	60.75	2.50	4.50	3.38	3.63	1.25	2.13	2.13	4.25	60.50	9.88	14.88	1.00

Dimensions

Table 16. Horizontal coil section with inspection door dimensions (inches)

Unit Size	W	H	Med Lrg L	Lrg L	Front/Back Opening		Base ²		Drain Pan ⁵		ND (NPT)	Door ^{3,4}						S ¹
					A	B	E	E1	J	K		Med Lrg D1	Lrg D1	D2	C	Med Lrg F	Lrg F	
36	80.00	89.00	29.50	46.00	76.00	82.50	2.50	4.50	3.25	3.63	1.25	2.13	2.13	4.25	60.50	9.88	14.88	1.00
40	112.50	67.25	24.50	48.00	108.50	60.75	2.50	4.50	3.38	3.63	1.25	2.13	2.13	4.25	60.50	9.88	14.88	1.00
41	80.00	104.00	29.50	46.00	76.00	97.50	2.50	4.50	3.25	3.63	1.25	2.13	2.13	4.25	60.50	9.88	14.88	1.00
50	125.50	75.75	24.50	48.00	121.50	69.25	2.50	4.50	3.38	3.63	1.25	2.13	2.13	4.25	60.50	9.88	14.88	1.00
51	93.50	104.00	29.50	46.00	89.50	97.50	2.50	4.50	3.25	3.63	1.25	2.13	2.13	4.25	60.50	9.88	14.88	1.00
57	125.50	85.50	24.50	48.00	121.50	79.00	2.50	4.50	3.38	3.63	1.25	2.13	2.13	4.25	60.50	9.88	14.88	1.00
58	93.50	116.25	29.50	46.00	89.50	109.75	2.50	4.50	3.25	3.63	1.25	2.13	2.13	4.25	60.50	9.88	14.88	1.00
66	140.50	89.00	24.50	n/a	136.50	82.50	6.00	8.00	6.13	3.63	1.50	2.13	n/a	7.75	60.50	10.88	n/a	1.00
80	140.50	104.00	24.50	n/a	136.50	97.50	6.00	8.00	6.13	3.63	1.50	2.13	n/a	7.75	60.50	10.88	n/a	1.00
100	154.50	116.25	24.50	n/a	150.50	109.75	6.00	8.00	6.13	3.63	1.50	2.13	n/a	7.75	60.50	10.88	n/a	1.00
120	182.00	116.25	24.50	n/a	178.00	109.75	6.00	8.00	6.13	3.63	1.50	2.13	n/a	7.75	60.50	10.88	n/a	1.00

Note: ¹Shipping split flange dimension is for shipping planning purposes only and does not add to installed overall unit length. ²Base line includes the height for standard 2.5-inch integral base frame on unit sizes 3-57 and 6-inch integral base frame on unit sizes 66-120. ^{3,4}Inward swing doors are dimensioned to door opening. Outward swing door opening is (F-2.73) by (C-1.80). ⁵Drain pan connection dimension is nominal pipe size. IAQ drain pan connections can be either LH or RH, but not both.

Vertical Coil Section

Figure 12. Vertical coil section with inspection door

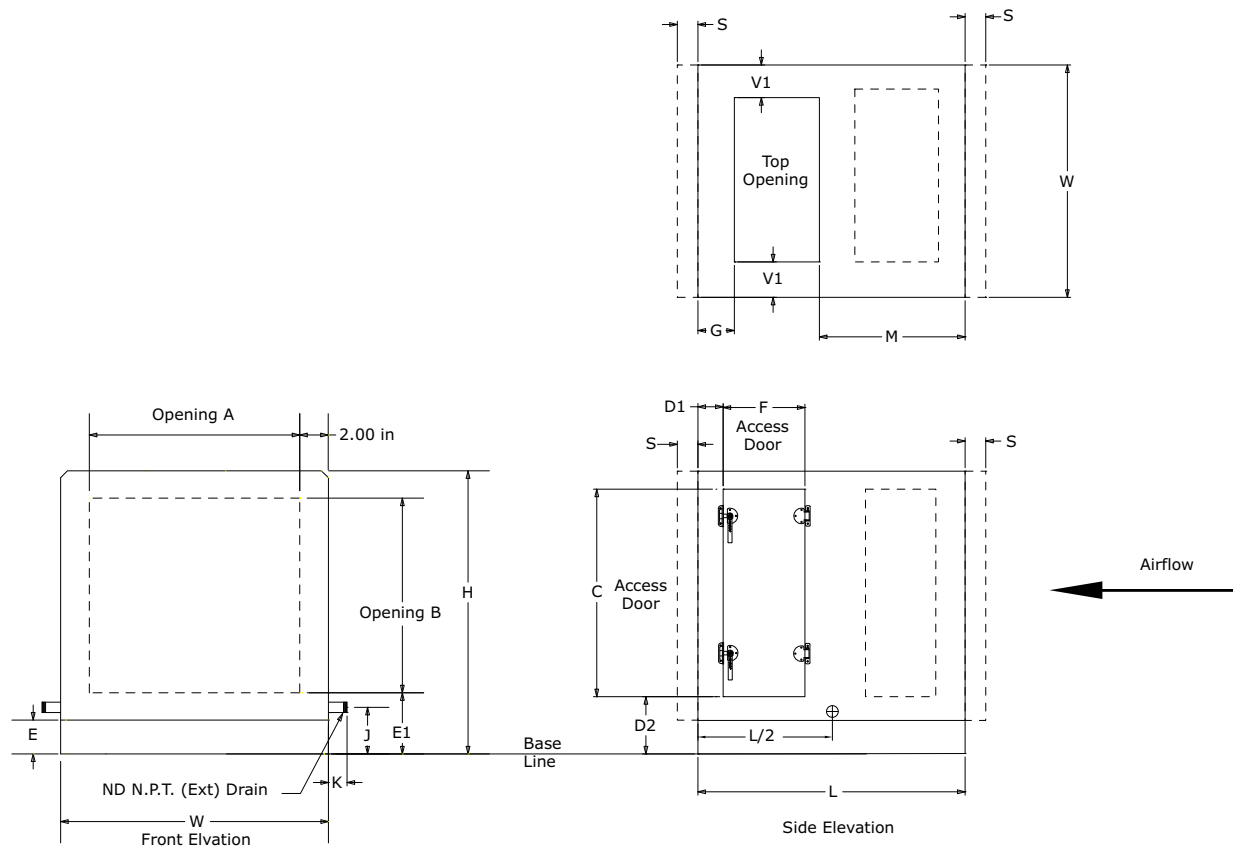
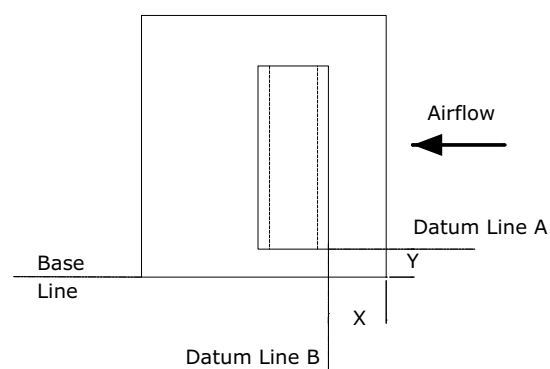


Table 17. Vertical coil section dimensions (inches)

Unit Size	Back Opening			Top Opening			Base ²		Drain Pan ³			Door ³				S ¹		
	W	H	L	A	B	V1	G	M	E	E1	J	K	ND	D1	D2		C	F
3	31.50	29.00	34.00	27.50	22.50	8.00	4.13	13.00	2.50	4.50	3.38	2.63	1.00	3.25	4.25	22.25	14.88	1.00
4	44.00	29.00	34.00	40.00	22.50	8.00	4.13	13.00	2.50	4.50	3.38	2.63	1.00	3.25	4.25	22.25	14.88	1.00
6	44.00	35.25	34.00	40.00	28.75	8.00	4.13	13.00	2.50	4.50	3.38	2.63	1.00	3.25	4.25	28.50	14.88	1.00
8	50.50	37.75	36.00	46.50	31.25	8.00	4.13	13.00	2.50	4.50	3.38	2.63	1.00	3.25	4.25	31.00	14.88	1.00
10	61.50	37.75	36.00	57.50	31.25	9.00	4.13	13.00	2.50	4.50	3.38	2.63	1.00	3.25	4.25	31.00	14.88	1.00
12	66.50	41.50	36.00	62.50	35.00	9.00	4.13	13.00	2.50	4.50	3.38	2.63	1.00	3.25	4.25	34.75	14.88	1.00
14	72.00	41.50	36.00	68.00	35.00	9.00	4.13	13.00	2.50	4.50	3.38	2.63	1.00	3.25	4.25	34.75	14.88	1.00
17	72.00	49.00	36.00	68.00	42.50	9.00	4.13	13.00	2.50	4.50	3.38	2.63	1.00	3.25	4.25	42.25	14.88	1.00
21	80.00	52.75	34.00	76.00	46.25	9.00	4.13	13.00	2.50	4.50	3.38	2.63	1.00	3.25	4.25	46.00	14.88	1.00
25	80.00	61.50	46.00	76.00	55.00	9.00	4.13	13.00	2.50	4.50	3.38	2.63	1.00	3.25	4.25	54.75	14.88	1.00
30	93.50	61.50	46.00	89.50	55.00	9.00	4.13	13.00	2.50	4.50	3.38	2.63	1.00	3.25	4.25	54.75	14.88	1.00
35	100.00	67.25	48.00	96.00	60.75	10.00	4.50	13.00	2.50	4.50	3.38	3.63	1.25	3.25	4.25	60.50	14.88	1.00
40	112.50	67.25	48.00	108.50	60.75	10.00	4.50	13.00	2.50	4.50	3.38	3.63	1.25	3.25	4.25	60.50	14.88	1.00
50	125.50	75.75	48.00	121.50	69.25	10.00	4.50	13.00	2.50	4.50	3.38	3.63	1.25	3.25	4.25	60.50	14.88	1.00

Note: ¹Shipping split flange dimension is for shipping planning purposes only and does not add to installed overall unit length. ²Base line includes the height for standard 2.5-inch integral base frame on unit sizes 3-57 and 6-inch integral base frame on unit sizes 66-120. ³Drain pan connection dimension is nominal pipe size. IAQ drain pan connections can be either LH or RH, but not both.

Coil Locations

Figure 13. Coil locations

Table 18. Coil location dimensions

Unit Size	1/2-inch, 5/8-inch and 1-inch Coils	
	X	Y
3 - 12	1.63	4.75
14 - 17	1.63	4.75
21, 25, 30	1.63	4.88
22, 26, 31, 36, 41	1.59	5.56
35 - 40	1.63	5.63
50, 57	1.63	5.63
51, 58	1.66	6.56
66 - 120	2.13	9.75

Note: Base line includes the height for standard 2.5-inch integral base frame on unit sizes 3-57 and 6-inch integral base frame on unit sizes 66-120. For coil connection information for refrigerant coils, refer to submittal. For specific dimensional information for all coils, refer to the unit submittals provided in TOPSS.

Coil Connection Locations

Figure 14. Coil connection locations sizes 3-30

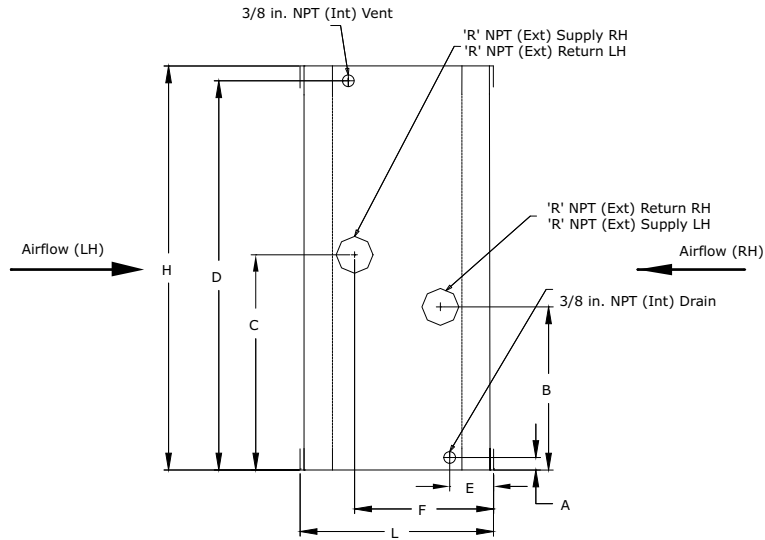


Figure 15. Coil connection locations sizes 35-120

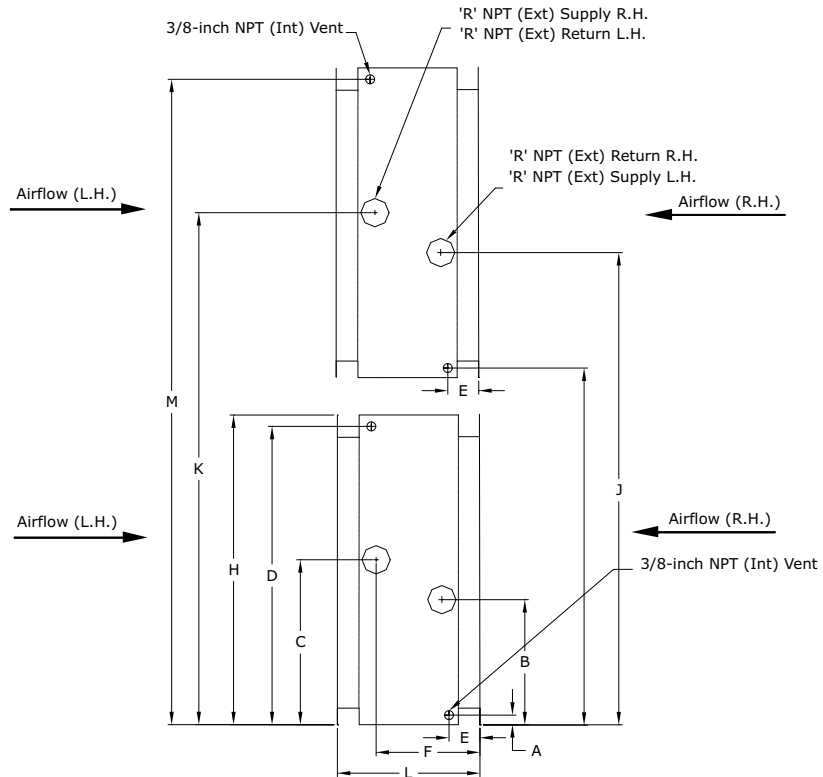


Table 19. UW coil connection locations

Unit Size	2 - 8 Row									
	A	B	C	D	H	I	J	K	M	R
3, 4	1.13	8.63	11.75	19.25	20.25	n/a	n/a	n/a	n/a	1.50
6	1.13	11.75	14.88	25.50	26.50	n/a	n/a	n/a	n/a	1.50
8, 10	1.13	13.00	16.13	28.00	29.00	n/a	n/a	n/a	n/a	2.00
12, 14	1.13	14.88	18.00	31.75	32.75	n/a	n/a	n/a	n/a	2.00
17	1.13	18.63	21.75	39.25	40.25	n/a	n/a	n/a	n/a	2.50
21	1.13	20.50	23.63	43.00	44.00	n/a	n/a	n/a	n/a	2.50
22, 35, 40	1.13	27.38	30.50	56.75	57.75	n/a	n/a	n/a	n/a	2.50
25, 30	1.13	24.88	28.00	51.75	52.75	n/a	n/a	n/a	n/a	2.50
26, 31, 57	1.75	17.38	20.50	36.13	37.75	40.25	55.88	59.00	74.63	2.00
36, 66	1.75	18.00	21.13	37.38	39.00	41.50	57.75	60.88	77.13	2.00
41, 51, 80	1.75	21.75	24.88	44.88	46.50	49.00	69.00	72.13	92.13	2.50
50	1.75	14.88	18.00	31.13	32.75	35.25	48.38	51.50	64.63	2.00
58	1.75	28.00	31.13	57.38	59.00	61.50	80.88	84.00	103.38	2.50
100, 120	1.75	28.00	31.13	57.38	59.00	45.25	61.50	80.88	103.38	2.50

Table 20. UW coil connection locations

Unit Size	E		F				L			
	2-Row	4-8 Row	2-Row	4-Row	6-Row	8-Row	2-Row	4-Row	6-Row	8-Row
3	2.50	1.75	4.25	5.00	7.13	9.25	6.63	6.63	8.75	11.00
4	2.50	1.75	4.25	5.00	7.13	9.25	6.63	6.63	8.75	11.00
6	2.50	1.75	4.25	5.00	7.13	9.25	6.63	6.63	8.75	11.00
8	2.25	1.75	4.50	5.00	7.13	9.25	6.63	6.63	8.75	11.00
10	2.25	1.75	4.50	5.00	7.13	9.25	6.63	6.63	8.75	11.00
12	2.25	1.75	4.50	5.00	7.13	9.25	6.63	6.63	8.75	11.00
14	2.25	1.75	4.50	5.00	7.13	9.25	6.63	6.63	8.75	11.00
17	2.00	1.75	4.75	5.00	7.13	9.25	6.63	6.63	8.75	11.00
21	2.00	1.75	4.75	5.00	7.13	9.25	6.63	6.63	8.75	11.00
22	2.00	1.75	4.75	5.00	7.13	9.25	6.63	6.63	8.75	11.00
25	2.00	1.75	4.75	5.00	7.13	9.25	6.63	6.63	8.75	11.00
26	1.75	2.38	4.00	5.63	7.75	9.88	5.75	8.00	10.13	12.25
30	2.00	1.75	4.75	5.00	7.13	9.25	6.63	6.63	8.75	11.00
31	1.75	2.38	4.00	5.63	7.75	9.88	5.75	8.00	10.13	12.25
35	2.00	1.75	4.75	5.00	7.13	9.25	6.63	6.63	8.75	11.00
Unit Size	E		F				L			
	2-Row	4-8 Row	2-Row	4-Row	6-Row	8-Row	2-Row	4-Row	6-Row	8-Row
36	1.75	2.38	4.00	5.63	7.75	9.88	5.75	8.00	10.13	12.25
40	2.00	1.75	4.75	5.00	7.13	9.25	6.63	6.63	8.75	11.00
41	1.50	2.38	4.25	5.63	7.75	9.88	5.75	8.00	10.13	12.25
50	1.75	2.38	4.00	5.63	7.75	9.88	5.75	8.00	10.13	12.25
51	1.50	2.38	4.25	5.63	7.75	9.88	5.75	8.00	10.13	12.25
57	1.75	2.38	4.00	5.63	7.75	9.88	5.75	8.00	10.13	12.25
58	1.50	2.38	4.25	5.63	7.75	9.88	5.75	8.00	10.13	12.25
66	1.75	2.38	4.00	5.63	7.75	9.88	5.75	8.00	10.13	12.25
80	1.50	2.38	4.25	5.63	7.75	9.88	5.75	8.00	10.13	12.25
100	1.50	2.38	4.25	5.63	7.75	9.88	5.75	8.00	10.13	12.25
120	1.50	2.38	4.25	5.63	7.75	9.88	5.75	8.00	10.13	12.25



Dimensions

Table 21. UA coil connection locations

Unit Size	2-Row											2-Row	2-Row	2-Row
	A	B	C	D	H1	H2	I	J	K	M	R	E	F	L
3	1.13	8.63	11.75	19.25	20.25	20.25	n/a	n/a	n/a	n/a	1.50	2.50	4.25	6.63
4	1.13	8.63	11.75	19.25	20.25	20.25	n/a	n/a	n/a	n/a	1.50	2.50	4.25	6.63
6	2.38	11.75	14.88	24.25	26.50	26.50	n/a	n/a	n/a	n/a	1.50	2.50	4.25	6.63
8	2.38	13.00	16.13	26.75	29.00	29.00	n/a	n/a	n/a	n/a	1.50	2.50	4.25	6.63
10	2.38	13.00	16.13	26.75	29.00	29.00	n/a	n/a	n/a	n/a	1.50	2.50	4.25	6.63
12	1.13	14.88	18.00	31.75	32.75	32.75	n/a	n/a	n/a	n/a	1.50	2.50	4.25	6.63
14	1.13	14.88	18.00	31.75	32.75	32.75	n/a	n/a	n/a	n/a	1.50	2.50	4.25	6.63
17	1.13	18.63	21.75	39.25	40.25	40.25	n/a	n/a	n/a	n/a	2.00	2.25	4.50	6.63
21	2.38	20.50	23.63	41.75	44.00	44.00	n/a	n/a	n/a	n/a	2.00	2.25	4.50	6.63
22	1.13	27.38	30.50	56.75	57.75	57.75	n/a	n/a	n/a	n/a	2.00	2.25	4.50	6.63
25	1.13	24.88	28.00	51.75	52.75	52.75	n/a	n/a	n/a	n/a	2.00	2.25	4.50	6.63
26	3.00	17.38	20.50	34.88	37.75	37.75	41.50	55.88	59.00	73.38	1.50	2.00	3.75	5.75
30	1.13	24.88	28.00	51.75	52.75	52.75	n/a	n/a	n/a	n/a	2.00	2.25	4.50	6.63
31	3.00	17.38	20.50	34.88	37.75	37.75	41.50	55.88	59.00	73.38	1.50	2.00	3.75	5.75
35	1.13	27.38	30.50	56.75	57.75	57.75	n/a	n/a	n/a	n/a	2.00	2.25	4.50	6.63
36	1.75	18.00	21.13	37.38	39.00	39.00	41.50	57.75	60.88	77.13	2.00	2.00	3.75	5.75
40	1.13	27.38	30.50	56.75	57.75	57.75	n/a	n/a	n/a	n/a	2.00	2.25	4.50	6.63
41	1.75	21.75	24.88	44.88	46.50	46.50	49.00	69.00	72.13	92.13	2.00	1.75	4.00	5.75
50	3.00	14.88	18.00	29.88	32.75	32.75	36.50	48.38	51.50	63.38	1.50	2.00	3.75	5.75
51	1.75	21.75	24.88	44.88	46.50	46.50	49.00	69.00	72.13	92.13	2.00	1.75	4.00	5.75
57	3.00	17.38	20.50	34.88	37.75	37.75	41.50	55.88	59.00	73.38	1.50	2.00	3.75	5.75
58	3.00	28.00	31.13	56.13	59	45.25	62.75	80.88	84.00	102.13	2.00	1.75	4.00	5.75
66	1.75	18.00	21.13	37.38	39.00	39.00	41.50	57.75	60.88	77.13	2.00	2.00	3.75	5.75
80	1.75	21.75	24.88	44.88	46.50	46.50	49.00	69.00	72.13	92.13	2.00	1.75	4.00	5.75
100	3.00	28.00	31.13	56.13	59.00	45.25	62.75	80.88	84.00	102.13	2.00	1.75	4.00	5.75
120	3.00	28.00	31.13	56.13	59.00	45.25	62.75	80.88	84.00	102.13	2.00	1.75	4.00	5.75

Table 22. UU coil connection locations

Unit size	4, 8 Row										
	A	B	C	D	H1	H2	I	J	K	M	R
12	1.13	14.88	18.00	31.75	32.75	32.75	n/a	n/a	n/a	n/a	2.50
14	1.13	14.88	18.00	31.75	32.75	32.75	n/a	n/a	n/a	n/a	2.50
17	1.13	18.63	21.75	39.25	40.25	40.25	n/a	n/a	n/a	n/a	2.50
21	1.13	20.50	23.63	43.00	44.00	44.00	n/a	n/a	n/a	n/a	2.50
22	1.13	27.38	30.50	56.75	57.75	57.75	n/a	n/a	n/a	n/a	2.50
25	1.13	24.88	28.00	51.75	52.75	52.75	n/a	n/a	n/a	n/a	2.50
26	1.75	17.38	20.50	36.13	37.75	37.75	40.25	55.88	59.00	74.63	2.50
30	1.13	24.88	28.00	51.75	52.75	52.75	n/a	n/a	n/a	n/a	2.50
31	1.75	17.38	20.50	36.13	37.75	37.75	40.25	55.88	59.00	74.63	2.50
35	1.13	27.38	30.50	56.75	57.75	57.75	n/a	n/a	n/a	n/a	2.50
36	1.75	18.00	21.13	37.38	39.00	39.00	41.50	57.75	60.88	77.13	2.50
40	1.13	27.38	30.50	56.75	57.75	57.75	n/a	n/a	n/a	n/a	2.50
41	1.75	21.75	24.88	44.88	46.50	46.50	49.00	69.00	72.13	92.13	2.50
50	1.75	14.88	18.00	31.13	32.75	32.75	35.25	48.38	51.50	64.63	2.50
51	1.75	21.75	24.88	44.88	46.50	46.50	49.00	69.00	72.13	92.13	2.50

Table 22. UU coil connection locations

Unit size	4, 8 Row										
	A	B	C	D	H1	H2	I	J	K	M	R
57	1.75	17.38	20.50	36.13	37.75	37.75	40.25	55.88	59.00	74.63	2.50
58	1.75	28.00	31.13	57.38	59.00	45.25	61.50	80.88	84.00	103.38	2.50
66	1.75	18.00	21.13	37.38	39.00	39.00	41.50	57.75	60.88	77.13	2.50
80	1.75	21.75	24.88	44.88	46.50	46.50	49.00	69.00	72.13	92.13	2.50
100	1.75	28.00	31.13	57.38	59.00	45.25	61.50	80.88	84.00	103.38	2.50
120	1.75	28.00	31.13	57.38	59.00	45.25	61.50	80.88	84.00	103.38	2.50

Table 23. UU Coil Connection Locations

Unit size	E			F			L	
	4 Row (L.H.)	4 Row (R.H.)	8 Row	4 Row (L.H.)	4 Row (R.H.)	8 Row	4 Row	8 Row
12	1.75	1.75	2.25	5.00	5.00	8.75	6.63	11.00
14	1.75	1.75	2.25	5.00	5.00	8.75	6.63	11.00
17	1.75	1.75	2.25	5.00	5.00	8.75	6.63	11.00
21	1.75	1.75	2.25	5.00	5.00	8.75	6.63	11.00
22	1.75	1.75	2.25	5.00	5.00	8.75	6.63	11.00
25	1.75	1.75	2.25	5.00	5.00	8.75	6.63	11.00
26	0.88	2.88	2.88	5.13	7.13	9.38	8.00	12.25
30	1.75	1.75	2.25	5.00	5.00	8.75	6.63	11.00
31	0.88	2.88	2.88	5.13	7.13	9.38	8.00	12.25
35	1.75	1.75	2.25	5.00	5.00	8.75	6.63	11.00
36	0.88	2.88	2.88	5.13	7.13	9.38	8.00	12.25
40	1.75	1.75	2.25	5.00	5.00	8.75	6.63	11.00
41	0.88	2.88	2.88	5.13	7.13	9.38	8.00	12.25
50	0.88	2.88	2.88	5.13	7.13	9.38	8.00	12.25
51	0.88	2.88	2.88	5.13	7.13	9.38	8.00	12.25
57	0.88	2.88	2.88	5.13	7.13	9.38	8.00	12.25
58	0.88	2.88	2.88	5.13	7.13	9.38	8.00	12.25
66	0.88	2.88	2.88	5.13	7.13	9.38	8.00	12.25
80	0.88	2.88	2.88	5.13	7.13	9.38	8.00	12.25
100	0.88	2.88	2.88	5.13	7.13	9.38	8.00	12.25
120	0.88	2.88	2.88	5.13	7.13	9.38	8.00	12.25

Dimensions

Integral Face-and-Bypass (IFB) Coils

Figure 16. Integral face-and-bypass coil

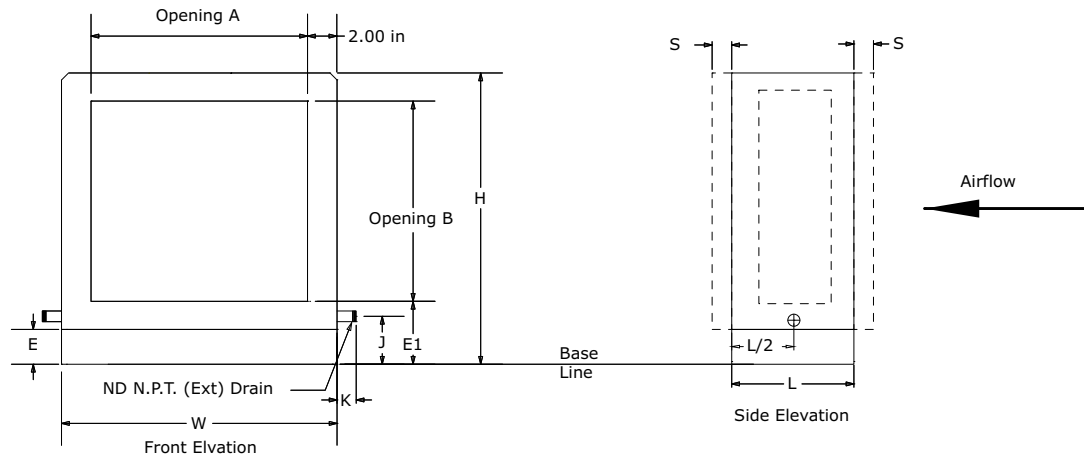
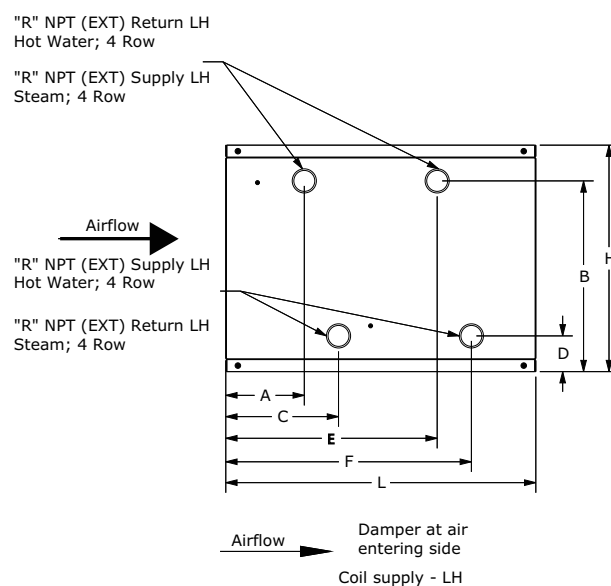
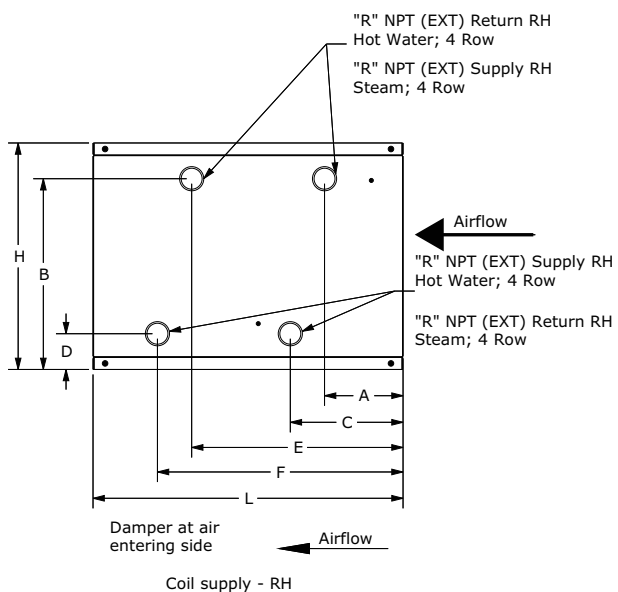
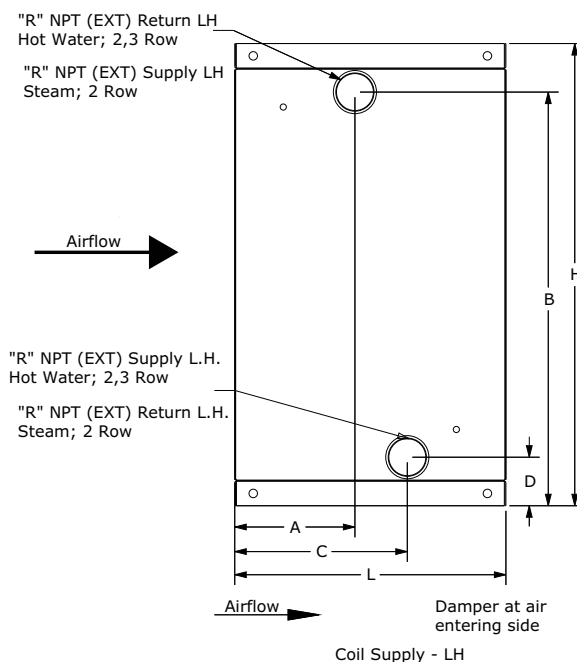
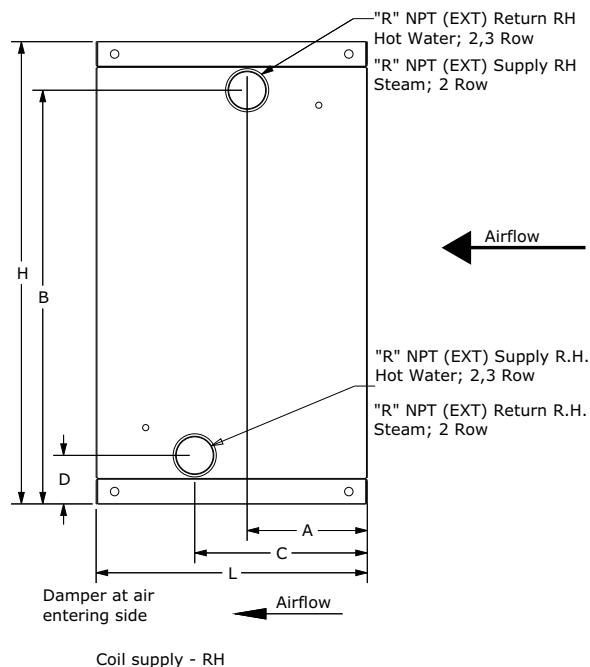


Table 24. Integral face-and-bypass coil dimensions (inches)

Unit size	Model number	Front/Back Opening		Base ²		Drain Pan ³			Med Lg <4 row	Med Lg 4 row	S ¹		
		W	H	A	B	E	E1	J	K	ND (NPT)		L	L
4	A-24	44.00	29.00	40.00	22.50	2.50	4.50	3.38	2.63	1.00	26.50	43.00	1.00
6	A-24	44.00	35.25	40.00	28.75	2.50	4.50	3.38	2.63	1.00	26.50	43.00	1.00
8	B-30	50.50	37.75	46.50	31.25	2.50	4.50	3.38	2.63	1.00	26.50	43.00	1.00
10	B-42	61.50	37.75	57.50	31.25	2.50	4.50	3.38	2.63	1.00	26.50	43.00	1.00
12	B-48	66.50	41.50	62.50	35.00	2.50	4.50	3.38	2.63	1.00	26.50	43.00	1.00
14	B-54	72.00	41.50	68.00	35.00	2.50	4.50	3.38	2.63	1.00	26.50	43.00	1.00
17	C-54	72.00	49.00	68.00	42.50	2.50	4.50	3.38	2.63	1.00	26.50	43.00	1.00
21	C-60	80.00	52.75	76.00	46.25	2.50	4.50	3.38	2.63	1.00	26.50	43.00	1.00
22	E-42	61.50	67.25	57.50	60.75	2.50	4.50	3.38	2.63	1.00	26.50	43.00	1.00
25	D-60	80.00	61.50	76.00	55.00	2.50	4.50	3.38	2.63	1.00	26.50	43.00	1.00
26	G-42	61.50	85.50	57.50	79.00	2.50	4.50	3.38	2.63	1.00	26.50	43.00	1.00
30	D-60	93.50	61.50	89.50	55.00	2.50	4.50	3.38	2.63	1.00	26.50	43.00	1.00
31	G-54	72.00	85.50	68.00	79.00	2.50	4.50	3.38	2.63	1.00	26.50	43.00	1.00
35	E-60	100.00	67.25	96.00	60.75	2.00	4.50	3.38	3.63	1.25	29.50	43.00	1.00
36	H-60	80.00	89.00	76.00	82.50	2.00	4.50	3.38	2.63	1.00	26.50	43.00	1.00
40	E-60	112.50	67.25	108.50	60.75	2.00	4.50	3.38	3.63	1.25	29.50	43.00	1.00
41	J-54	80.00	104.00	76.00	97.50	2.00	4.50	3.38	2.63	1.00	26.50	43.00	1.00
50	VB-10	125.50	75.75	121.50	69.25	2.00	4.50	3.38	3.63	1.25	29.50	n/a	1.00
51	VD-7	93.50	104.00	89.50	97.50	2.00	4.50	3.38	3.63	1.25	29.50	n/a	1.00
57	VC-10	125.50	85.50	121.50	79.00	2.00	4.50	3.38	3.63	1.25	29.50	n/a	1.00
58	VE-7	93.50	116.25	89.50	109.75	2.00	4.50	3.38	3.63	1.25	29.50	n/a	1.00
66	VC-11	140.50	92.50	136.50	82.50	4.50	8.00	6.13	3.63	1.50	29.50	n/a	1.00
80	VD-11	140.50	107.50	136.50	97.50	4.50	8.00	6.13	3.63	1.50	29.50	n/a	1.00
100	VE-12	154.50	119.75	150.50	109.75	4.50	8.00	6.13	3.63	1.50	29.50	n/a	1.00
120	VE-12	182.00	119.75	178.00	109.75	4.50	8.00	6.13	3.63	1.50	29.50	n/a	1.00

Note: ¹Shipping split flange dimension is for shipping planning purposes only and does not add to installed overall unit length. ²Base line includes the height for standard 2.5-inch integral base frame on unit sizes 3-57 and 6-inch integral base frame on unit sizes 66-120. ³Drain pan connection dimension is nominal pipe size. IAQ drain pan connections can be either LH or RH, but not both.

Figure 17. Integral face-and-bypass horizontal coil connection locations



Dimensions

Table 25. Integral face-and-bypass horizontal coil connection location dimensions (inches) for steam (ST) and hot water (HW) coils

Unit size	2, 4-row ST; 2, 3, 4-row HW						2-row ST; 4-row	2-row ST; 4-row	2-row ST; 4-row	2-row ST; 4-row		
	A	B	C	D	R	H	2, 3-row HW	ST/HW	2, 3-row HW	ST/HW		
4	9.75	16.31	14.00	3.44	3.00	19.75	n/a	26.25	n/a	30.50	22.00	38.50
6	9.75	16.31	14.00	3.44	3.00	19.75	n/a	26.25	n/a	30.50	22.00	38.50
8	9.75	24.69	14.00	3.44	3.00	28.13	n/a	26.25	n/a	30.50	22.00	38.50
10	9.75	24.69	14.00	3.44	3.00	28.13	n/a	26.25	n/a	30.50	22.00	38.50
12	9.75	25.19	14.00	3.94	3.00	29.13	n/a	26.25	n/a	30.50	22.00	38.50
14	9.75	25.19	14.00	3.94	3.00	29.13	n/a	26.25	n/a	30.50	22.00	38.50
17	9.75	33.56	14.00	3.94	3.00	37.50	n/a	26.25	n/a	30.50	22.00	38.50
21	9.75	33.56	14.00	3.94	3.00	37.50	n/a	26.25	n/a	30.50	22.00	38.50
22	9.75	50.31	14.00	3.94	3.00	54.25	n/a	26.25	n/a	30.50	22.00	38.50
25	9.75	41.94	14.00	3.94	3.00	45.88	n/a	26.25	n/a	30.50	22.00	38.50
26	9.75	67.06	14.00	3.94	3.00	71.00	n/a	26.25	n/a	30.50	22.00	38.50
30	9.75	41.94	14.00	3.94	3.00	45.88	n/a	26.25	n/a	30.50	22.00	38.50
31	9.75	67.06	14.00	3.94	3.00	71.00	n/a	26.25	n/a	30.50	22.00	38.50
35	9.75	50.31	14.00	3.94	3.00	54.25	n/a	26.25	n/a	30.50	22.00	38.50
36	9.75	75.44	14.00	3.94	3.00	79.38	n/a	26.25	n/a	30.50	22.00	38.50
40	9.75	50.31	14.00	3.94	3.00	54.25	n/a	26.25	n/a	30.50	22.00	38.50
41	9.75	83.81	14.00	3.94	3.00	87.75	n/a	26.25	n/a	30.50	22.00	38.50

Note: *IFB coils offer right/left hand header option and do not offer 3-row steam coil for size 4-40.

Figure 18. Vertical integral face-and-bypass (IFB) coil connection locations

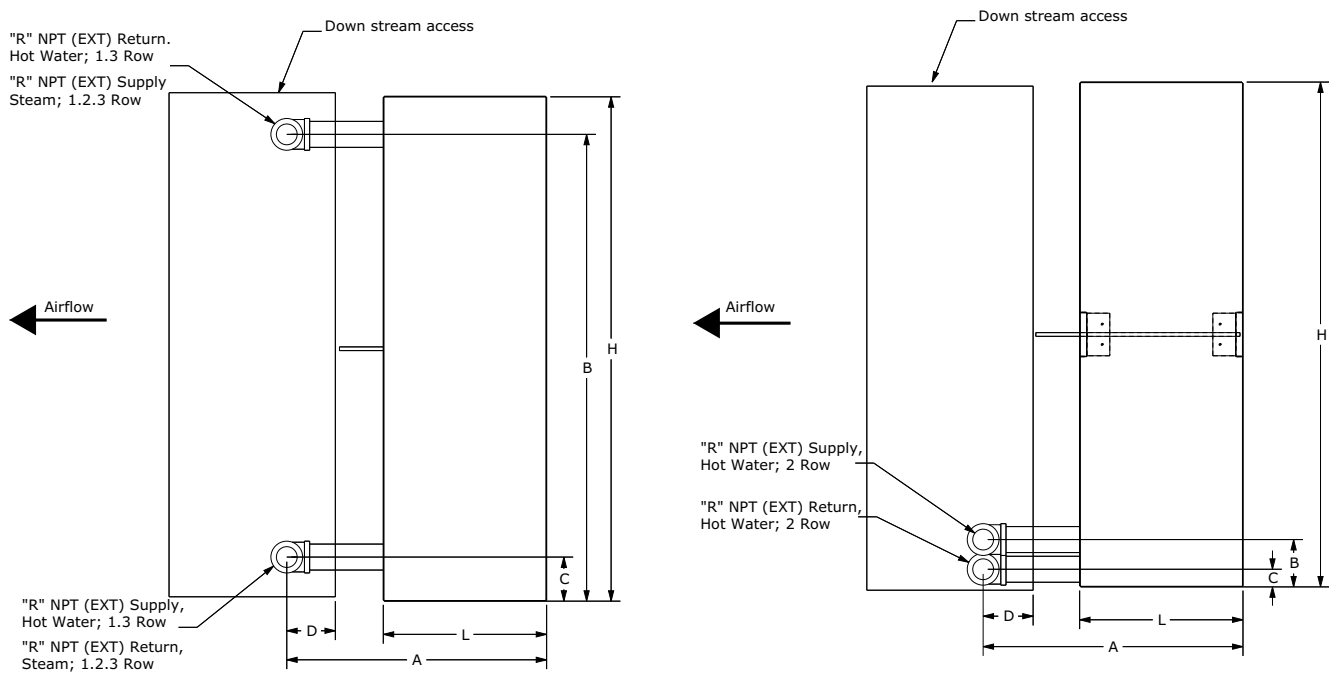
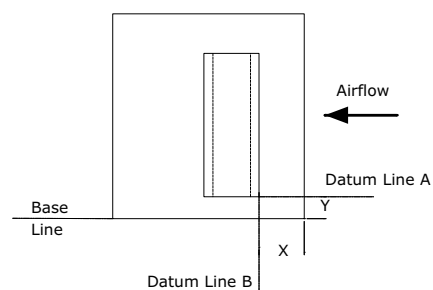


Table 26. Vertical integral face-and-bypass coils

Unit size	A	B				C				D	R			H		L
	1-3 Row ST/HW	1-row ST/HW	2-row HW	2-row ST	3-row ST/HW	1-row ST/HW	2-row HW	2-row ST	3-row HW	1-3-row ST/HW	1,2-row HW, 1-row ST	2-row ST	3-row ST/HW	1-row ST/HW	2,3-row ST/HW	1,2,3-row ST/HW
50	35.00	50.88	6.38	52.63	53.13	5.94	2.38	3.13	3.31	7.10	3.00	3.00	4.00	56.00	56.00	22.00
51	35.00	74.875	6.375	76.625	77.125	5.938	2.375	3.125	2.813	7.100	3.00	3.00	3.00	80.000	80.000	22.00
57	35.00	62.88	6.38	64.63	65.13	5.94	2.38	3.13	3.31	7.10	3.00	3.00	4.00	68.00	68.00	22.00
58	35.00	89.938	6.375	94.625	95.125	3.000	2.375	3.125	2.813	7.100	3.00	3.00	3.00	93.688	98.000	22.00
66	35.00	62.88	6.38	64.63	65.13	5.94	2.38	3.63	3.31	7.60	3.00	4.00	4.00	68.00	68.00	22.00
80	35.00	74.88	6.38	76.63	77.13	5.94	2.38	3.63	3.31	7.60	3.00	4.00	4.00	80.00	80.00	22.00
100	35.00	89.94	6.38	94.63	95.13	3.00	2.38	3.63	3.31	7.60	3.00	4.00	4.00	93.69	98.00	22.00
120	35.00	89.94	6.38	94.63	95.13	3.00	2.38	3.63	3.31	7.60	3.00	4.00	4.00	93.69	98.00	22.00

Note: HW - Hot Water Coil; ST - Steam Coil. VIFB coils do not offer right/left hand header option but elbows could be flipped to get right/left connections. More details please refer to coil specification.

Figure 19. Coil locations

Table 27. Coil location dimensions

1/2-inch, 5/8-inch Coils and 1-inch pitched coil dimensions (inches)		
Unit Size	X	Y
3 - 12	1.63	4.71
14 - 17	1.63	4.71
21, 25, 30	1.63	4.79
22, 26, 31, 36, 41	1.59	5.56
35, 40	1.59	5.56
50, 57	1.66	6.56
51, 58	1.66	6.56
66 - 120	2.16	10.66

Note: ¹Base line includes the height for standard 2.5-inch integral base frame on unit sizes 3-57 and 6-inch integral base frame on unit sizes 66-120. For coil connection information for refrigerant coils, refer to submittals.

Controls Section

Table 28. Control section with access door dimensions (inches)

Unit size	W	H	L	Outward Swing Door Only					
				Door side	Hinge Side	C	D2	F	D1
3	31.50	29.00	24.50	RH/LH	AE	22.25	4.25	20.38	2.13
4	44.00	29.00	24.50	RH/LH	AE	22.25	4.25	20.38	2.13
6	44.00	35.25	24.50	RH/LH	AE	28.50	4.25	20.38	2.13
8	50.50	37.75	24.50	RH/LH	AE	31.00	4.25	20.38	2.13
10	61.50	37.75	24.50	RH/LH	AE	31.00	4.25	20.38	2.13
12	66.50	41.50	24.50	RH/LH	AE	34.75	4.25	20.38	2.13
14	72.00	41.50	24.50	RH/LH	AE	34.75	4.25	20.38	2.13
17	72.00	49.00	24.50	RH/LH	AE	42.25	4.25	20.38	2.13
21	80.00	52.75	24.50	RH/LH	AE	46.00	4.25	20.38	2.13
22	61.50	67.25	24.50	RH/LH	AE	60.50	4.25	20.38	2.13
25	80.00	61.50	24.50	RH/LH	AE	54.75	4.25	20.38	2.13
26	61.50	85.50	24.50	RH/LH	AE	60.50	4.25	20.38	2.13
30	93.50	61.50	24.50	RH/LH	AE	54.75	4.25	20.38	2.13
31	72.00	85.50	24.50	RH/LH	AE	60.50	4.25	20.38	2.13
35	100.00	67.25	24.50	RH/LH	AE	60.50	4.25	20.38	2.13
36	80.00	89.00	24.50	RH/LH	AE	60.50	4.25	20.38	2.13

Dimensions

Table 28. Control section with access door dimensions (inches)

Unit size	W	H	L	Outward Swing Door Only					
				Door side	Hinge Side	C	D2	F	D1
40	112.50	67.25	24.50	RH/LH	AE	60.50	4.25	20.38	2.13
41	80.00	104.00	24.50	RH/LH	AE	60.50	4.25	20.38	2.13
50	125.50	75.75	24.50	RH/LH	AE	69.00	4.25	20.38	2.13
51	93.50	104.00	24.50	RH/LH	AE	60.50	4.25	20.38	2.13
57	125.50	85.50	24.50	RH/LH	AE	60.50	4.25	20.38	2.13
58	93.50	116.25	24.50	RH/LH	AE	60.50	4.25	20.38	2.13
66	140.50	92.50	24.50	RH/LH	AE	60.50	7.75	20.38	2.13
80	140.50	107.50	24.50	RH/LH	AE	60.50	7.75	20.38	2.13
100	154.50	119.75	24.50	RH/LH	AE	60.50	7.75	20.38	2.13
120	182.00	119.75	24.50	RH/LH	AE	60.50	7.75	20.38	2.13

Note: Access door available on opposite side from high or low voltage door

Figure 20. Control section with high voltage controls door

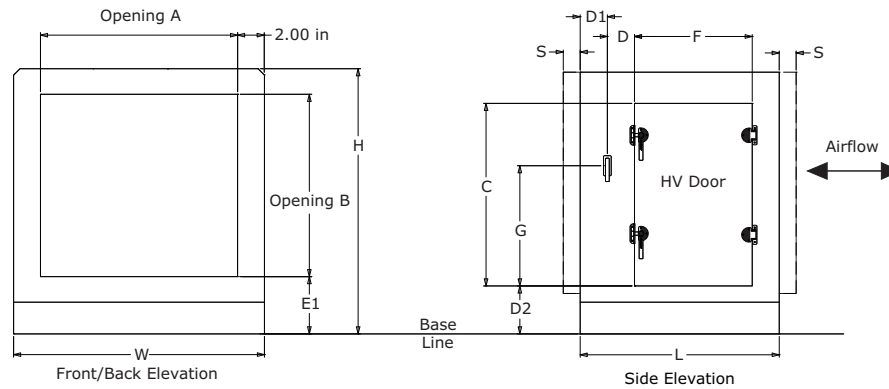


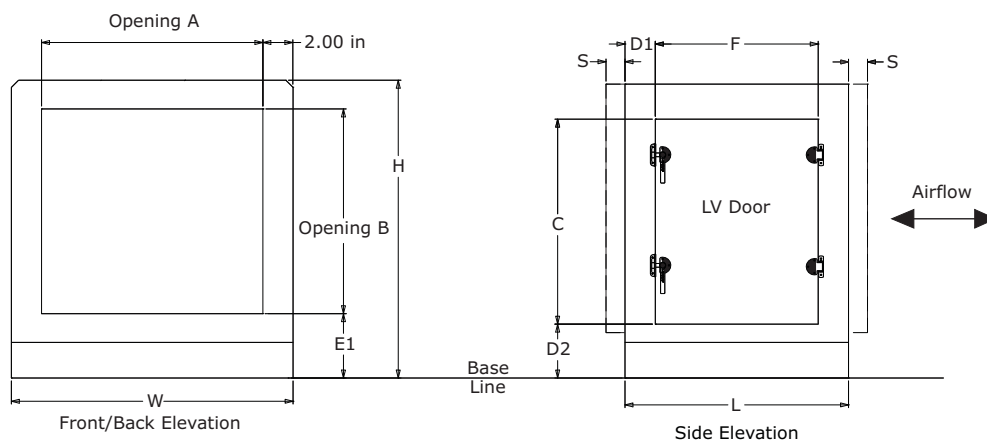
Table 29. Controls section with high voltage controls door dimensions (inches)

Unit size	W	H	L	Outward Swing Door Only									
				Door side	Hinge side	C	D2	Unit level 1	Unit level 2	F	D1	D	S ¹
3	31.50	29.00	24.50	RH / LH	RH	22.25	4.25	12.25	12.25	17.38	2.25	3.00	1.00
4	44.00	29.00	24.50	RH / LH	RH	22.25	4.25	12.25	12.25	17.38	2.25	3.00	1.00
6	44.00	35.25	24.50	RH / LH	RH	28.50	4.25	18.50	12.25	17.38	2.25	3.00	1.00
8	50.50	37.75	24.50	RH / LH	RH	31.00	4.25	21.00	12.25	17.38	2.25	3.00	1.00
10	61.50	37.75	24.50	RH / LH	RH	31.00	4.25	21.00	12.25	17.38	2.25	3.00	1.00
12	66.50	41.50	24.50	RH / LH	RH	34.75	4.25	24.75	12.25	17.38	2.25	3.00	1.00
14	72.00	41.50	24.50	RH / LH	RH	34.75	4.25	24.75	12.25	17.38	2.25	3.00	1.00
17	72.00	49.00	24.50	RH / LH	RH	42.25	4.25	32.25	12.25	17.38	2.25	3.00	1.00
21	80.00	52.75	24.50	RH / LH	RH	46.00	4.25	36.00	12.25	17.38	2.25	3.00	1.00
22	61.50	67.25	24.50	RH / LH	RH	60.50	4.25	44.75	n/a	17.38	2.25	3.00	1.00
25	80.00	61.50	24.50	RH / LH	RH	54.75	4.25	38.75	n/a	17.38	2.25	3.00	1.00
26	61.50	85.50	24.50	RH / LH	RH	60.50	4.25	44.75	n/a	17.38	2.25	3.00	1.00

Table 29. Controls section with high voltage controls door dimensions (inches)

Unit size	W	H	L	Door side	Hinge side	C	Outward Swing Door Only						
							D2	Unit level 1	Unit level 2	F	D1	D	S ¹
30	93.50	61.50	24.50	RH / LH	RH	54.75	4.25	38.75	n/a	17.38	2.25	3.00	1.00
31	72.00	85.50	24.50	RH / LH	RH	60.50	4.25	44.75	n/a	17.38	2.25	3.00	1.00
35	100.00	67.25	24.50	RH / LH	RH	60.50	4.25	44.75	n/a	17.38	2.25	3.00	1.00
36	80.00	89.00	24.50	RH / LH	RH	60.50	4.25	48.25	n/a	17.38	2.25	3.00	1.00
40	112.50	67.25	24.50	RH / LH	RH	60.50	4.25	44.75	n/a	17.38	2.25	3.00	1.00
41	80.00	104.00	24.50	RH / LH	RH	60.50	4.25	48.25	n/a	17.38	2.25	3.00	1.00
50	125.50	75.75	24.50	RH / LH	RH	69.00	4.25	44.75	n/a	17.38	2.25	3.00	1.00
51	93.50	104.00	24.50	RH / LH	RH	60.50	4.25	48.25	n/a	17.38	2.25	3.00	1.00
57	125.50	85.50	24.50	RH / LH	RH	60.50	4.25	44.75	n/a	17.38	2.25	3.00	1.00
58	93.50	116.25	24.50	RH / LH	RH	60.50	4.25	48.25	n/a	17.38	2.25	3.00	1.00
66	140.50	92.50	24.50	RH / LH	RH	60.50	7.75	44.75	n/a	17.38	2.25	3.00	1.00
80	140.50	107.50	24.50	RH / LH	RH	60.50	7.75	44.75	n/a	17.38	2.25	3.00	1.00
100	154.50	119.75	24.50	RH / LH	RH	60.50	7.75	44.75	n/a	17.38	2.25	3.00	1.00
120	182.00	119.75	24.50	RH / LH	RH	60.50	7.75	44.75	n/a	17.38	2.25	3.00	1.00

Note: ¹Shipping split flange dimension is for shipping planning purposes only and does not add to installed overall unit length. ²Base line includes the height for standard 2.5-inch integral base frame on unit sizes 3-57 and 6-inch integral base frame on unit sizes 66-120. High and low voltage doors are separate doors. Non-end-of-unit section has same dimensions as access section.

Figure 21. Controls section with low voltage controls door




Dimensions

Table 30. Control section with low voltage controls door dimensions (inches)

Unit size	W	H	L	Outward swing door only						
				Door side	Hinge side	C	D2	F	D1	S ¹
3	31.50	29.00	24.50	RH / LH	RH	22.25	4.25	20.38	2.13	1.00
4	44.00	29.00	24.50	RH / LH	RH	22.25	4.25	20.38	2.13	1.00
6	44.00	35.25	24.50	RH / LH	RH	28.50	4.25	20.38	2.13	1.00
8	50.50	37.75	24.50	RH / LH	RH	31.00	4.25	20.38	2.13	1.00
10	61.50	37.75	24.50	RH / LH	RH	31.00	4.25	20.38	2.13	1.00
12	66.50	41.50	24.50	RH / LH	RH	34.75	4.25	20.38	2.13	1.00
14	72.00	41.50	24.50	RH / LH	RH	34.75	4.25	20.38	2.13	1.00
17	72.00	49.00	24.50	RH / LH	RH	42.25	4.25	20.38	2.13	1.00
21	80.00	52.75	24.50	RH / LH	RH	46.00	4.25	20.38	2.13	1.00
22	61.50	67.25	24.50	RH / LH	RH	60.50	4.25	20.38	2.13	1.00
25	80.00	61.50	24.50	RH / LH	RH	54.75	4.25	20.38	2.13	1.00
26	61.50	85.50	24.50	RH / LH	RH	60.50	4.25	20.38	2.13	1.00
30	93.50	61.50	24.50	RH / LH	RH	54.75	4.25	20.38	2.13	1.00
31	72.00	85.50	24.50	RH / LH	RH	60.50	4.25	20.38	2.13	1.00
35	100.00	67.25	24.50	RH / LH	RH	60.50	4.25	20.38	2.13	1.00
36	80.00	89.00	24.50	RH / LH	RH	60.50	4.25	20.38	2.13	1.00
40	112.50	67.25	24.50	RH / LH	RH	60.50	4.25	20.38	2.13	1.00
41	80.00	104.00	24.50	RH / LH	RH	60.50	4.25	20.38	2.13	1.00
50	125.50	75.75	24.50	RH / LH	RH	69.00	4.25	20.38	2.13	1.00
51	93.50	104.00	24.50	RH / LH	RH	60.50	4.25	20.38	2.13	1.00
57	125.50	85.50	24.50	RH / LH	RH	60.50	4.25	20.38	2.13	1.00
58	93.50	116.25	24.50	RH / LH	RH	60.50	4.25	20.38	2.13	1.00
66	140.50	92.50	24.50	RH / LH	RH	60.50	7.75	20.38	2.13	1.00
80	140.50	107.50	24.50	RH / LH	RH	60.50	7.75	20.38	2.13	1.00
100	154.50	119.75	24.50	RH / LH	RH	60.50	7.75	20.38	2.13	1.00
120	182.00	119.75	24.50	RH / LH	RH	60.50	7.75	20.38	2.13	1.00

Note: ¹Shipping split flange dimension is for shipping planning purposes only and does not add to installed overall unit length. ²Base line includes the height for standard 2.5-inch integral base frame on unit sizes 3-57 and 6-inch integral base frame on unit sizes 66-120.

End-of-Unit Control Section Doors

Table 31. Control section at end-of-unit access door dimensions (inches)

Unit size	W	H	L	Outward Swing Door Only					
				Door side	Hinge Side	C	D2	F	D1
3	31.50	29.00	28.50	RH/LH	AE	22.25	4.25	20.38	4.13
4	44.00	29.00	28.50	RH/LH	AE	22.25	4.25	20.38	4.13
6	44.00	35.25	28.50	RH/LH	AE	28.50	4.25	20.38	4.13
8	50.50	37.75	28.50	RH/LH	AE	31.00	4.25	20.38	4.13
10	61.50	37.75	28.50	RH/LH	AE	31.00	4.25	20.38	4.13
12	66.50	41.50	28.50	RH/LH	AE	34.75	4.25	20.38	4.13
14	72.00	41.50	28.50	RH/LH	AE	34.75	4.25	20.38	4.13
17	72.00	49.00	28.50	RH/LH	AE	42.25	4.25	20.38	4.13
21	80.00	52.75	28.50	RH/LH	AE	46.00	4.25	20.38	4.13
22	61.50	67.25	28.50	RH/LH	AE	60.50	4.25	20.38	4.13
25	80.00	61.50	28.50	RH/LH	AE	54.75	4.25	20.38	4.13
26	61.50	85.50	28.50	RH/LH	AE	60.50	4.25	20.38	4.13
30	93.50	61.50	28.50	RH/LH	AE	54.75	4.25	20.38	4.13
31	72.00	85.50	28.50	RH/LH	AE	60.50	4.25	20.38	4.13
35	100.00	67.25	28.50	RH/LH	AE	60.50	4.25	20.38	4.13
36	80.00	89.00	28.50	RH/LH	AE	60.50	4.25	20.38	4.13
40	112.50	67.25	28.50	RH/LH	AE	60.50	4.25	20.38	4.13
41	80.00	104.00	28.50	RH/LH	AE	60.50	4.25	20.38	4.13
50	125.50	75.75	28.50	RH/LH	AE	69.00	4.25	20.38	4.13
51	93.50	104.00	28.50	RH/LH	AE	60.50	4.25	20.38	4.13
57	125.50	85.50	28.50	RH/LH	AE	60.50	4.25	20.38	4.13
58	93.50	116.25	28.50	RH/LH	AE	60.50	4.25	20.38	4.13
66	140.50	92.50	28.50	RH/LH	AE	60.50	7.75	20.38	4.13
80	140.50	107.50	28.50	RH/LH	AE	60.50	7.75	20.38	4.13
100	154.50	119.75	28.50	RH/LH	AE	60.50	7.75	20.38	4.13
120	182.00	119.75	28.50	RH/LH	AE	60.50	7.75	20.38	4.13

Note: Access door available on opposite side from high or low voltage door.

Figure 22. Controls section at end-of-unit with high voltage controls door

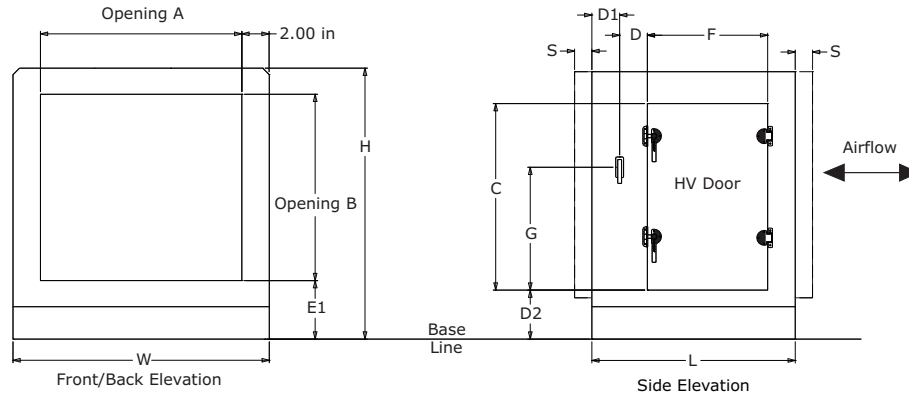
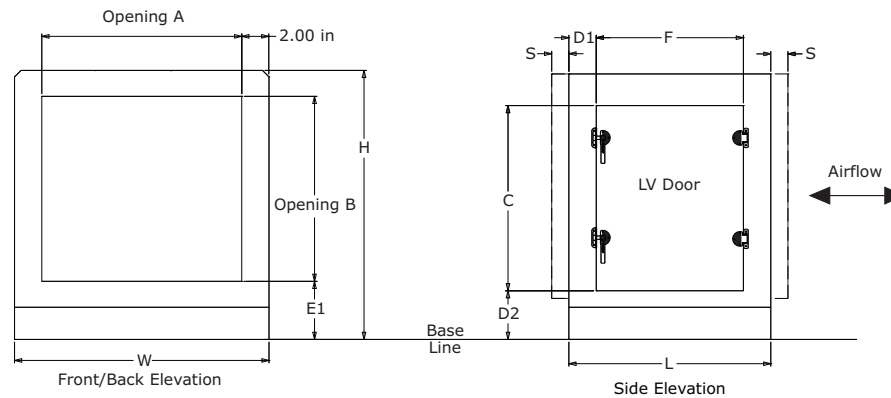


Table 32. Control section at end-of-unit with high voltage controls door dimensions (inches)

Unit size	W	H	L	Door side	Hinge Side	Outward Swing Door Only							
						C	D2	G - Unit level 1	G - Unit level 2	F	D1	D	S ¹
3	31.50	29.00	28.50	RH / LH	RH	22.25	4.25	12.25	12.25	17.38	4.25	3.00	1.00
4	44.00	29.00	28.50	RH / LH	RH	22.25	4.25	12.25	12.25	17.38	4.25	3.00	1.00
6	44.00	35.25	28.50	RH / LH	RH	28.50	4.25	18.50	12.25	17.38	4.25	3.00	1.00
8	50.50	37.75	28.50	RH / LH	RH	31.00	4.25	21.00	12.25	17.38	4.25	3.00	1.00
10	61.50	37.75	28.50	RH / LH	RH	31.00	4.25	21.00	12.25	17.38	4.25	3.00	1.00
12	66.50	41.50	28.50	RH / LH	RH	34.75	4.25	24.75	12.25	17.38	4.25	3.00	1.00
14	72.00	41.50	28.50	RH / LH	RH	34.75	4.25	24.75	12.25	17.38	4.25	3.00	1.00
17	72.00	49.00	28.50	RH / LH	RH	42.25	4.25	32.25	12.25	17.38	4.25	3.00	1.00
21	80.00	52.75	28.50	RH / LH	RH	46.00	4.25	36.00	12.25	17.38	4.25	3.00	1.00
22	61.50	67.25	28.50	RH / LH	RH	60.50	4.25	44.75	n/a	17.38	4.25	3.00	1.00
25	80.00	61.50	28.50	RH / LH	RH	54.75	4.25	38.75	n/a	17.38	4.25	3.00	1.00
26	61.50	85.50	28.50	RH / LH	RH	60.50	4.25	44.75	n/a	17.38	4.25	3.00	1.00
30	93.50	61.50	28.50	RH / LH	RH	54.75	4.25	38.75	n/a	17.38	4.25	3.00	1.00
31	72.00	85.50	28.50	RH / LH	RH	60.50	4.25	44.75	n/a	17.38	4.25	3.00	1.00
35	100.00	67.25	28.50	RH / LH	RH	60.50	4.25	44.75	n/a	17.38	4.25	3.00	1.00
36	80.00	89.00	28.50	RH / LH	RH	60.50	4.25	48.25	n/a	17.38	4.25	3.00	1.00
40	112.50	67.25	28.50	RH / LH	RH	60.50	4.25	44.75	n/a	17.38	4.25	3.00	1.00
41	80.00	104.00	28.50	RH / LH	RH	60.50	4.25	48.25	n/a	17.38	4.25	3.00	1.00
50	125.50	75.75	28.50	RH / LH	RH	69.00	4.25	44.75	n/a	17.38	4.25	3.00	1.00
51	93.50	104.00	28.50	RH / LH	RH	60.50	4.25	48.25	n/a	17.38	4.25	3.00	1.00
57	125.50	85.50	28.50	RH / LH	RH	60.50	4.25	44.75	n/a	17.38	4.25	3.00	1.00
58	93.50	116.25	28.50	RH / LH	RH	60.50	4.25	48.25	n/a	17.38	4.25	3.00	1.00
66	140.50	92.50	28.50	RH / LH	RH	60.50	7.75	44.75	n/a	17.38	4.25	3.00	1.00
80	140.50	107.50	28.50	RH / LH	RH	60.50	7.75	44.75	n/a	17.38	4.25	3.00	1.00
100	154.50	119.75	28.50	RH / LH	RH	60.50	7.75	44.75	n/a	17.38	4.25	3.00	1.00
120	182.00	119.75	28.50	RH / LH	RH	60.50	7.75	44.75	n/a	17.38	4.25	3.00	1.00

Note: ¹Shipping split flange dimension is for shipping planning purposes only and does not add to installed overall unit length. ²Base line includes the height for standard 2.5-inch integral base frame on unit sizes 3-57 and 6-inch integral base frame on unit sizes 66-120. High and low voltage doors are separate doors. End-of-unit section dimensions are 4 inches longer than non-EOU section.

Figure 23. Controls section at end-of-unit with low voltage controls door

Table 33. Control section at end-of-unit with low voltage controls door dimensions (inches)

Unit size	W	H	L	Outward Swing Door Only						
				Door side	Hinge side	C	D2	F	D1	S ¹
3	31.50	29.00	28.50	RH / LH	RH	22.25	4.25	20.38	4.13	1.00
4	44.00	29.00	28.50	RH / LH	RH	22.25	4.25	20.38	4.13	1.00
6	44.00	35.25	28.50	RH / LH	RH	28.50	4.25	20.38	4.13	1.00
8	50.50	37.75	28.50	RH / LH	RH	31.00	4.25	20.38	4.13	1.00
10	61.50	37.75	28.50	RH / LH	RH	31.00	4.25	20.38	4.13	1.00
12	66.50	41.50	28.50	RH / LH	RH	34.75	4.25	20.38	4.13	1.00
14	72.00	41.50	28.50	RH / LH	RH	34.75	4.25	20.38	4.13	1.00
17	72.00	49.00	28.50	RH / LH	RH	42.25	4.25	20.38	4.13	1.00
21	80.00	52.75	28.50	RH / LH	RH	46.00	4.25	20.38	4.13	1.00
22	61.50	67.25	28.50	RH / LH	RH	60.50	4.25	20.38	4.13	1.00
25	80.00	61.50	28.50	RH / LH	RH	54.75	4.25	20.38	4.13	1.00
26	61.50	85.50	28.50	RH / LH	RH	60.50	4.25	20.38	4.13	1.00
30	93.50	61.50	28.50	RH / LH	RH	54.75	4.25	20.38	4.13	1.00
31	72.00	85.50	28.50	RH / LH	RH	60.50	4.25	20.38	4.13	1.00
35	100.00	67.25	28.50	RH / LH	RH	60.50	4.25	20.38	4.13	1.00
36	80.00	89.00	28.50	RH / LH	RH	60.50	4.25	20.38	4.13	1.00
40	112.50	67.25	28.50	RH / LH	RH	60.50	4.25	20.38	4.13	1.00
41	80.00	104.00	28.50	RH / LH	RH	60.50	4.25	20.38	4.13	1.00
50	125.50	75.75	28.50	RH / LH	RH	69.00	4.25	20.38	4.13	1.00
51	93.50	104.00	28.50	RH / LH	RH	60.50	4.25	20.38	4.13	1.00
57	125.50	85.50	28.50	RH / LH	RH	60.50	4.25	20.38	4.13	1.00
58	93.50	116.25	28.50	RH / LH	RH	60.50	4.25	20.38	4.13	1.00
66	140.50	92.50	28.50	RH / LH	RH	60.50	7.75	20.38	4.13	1.00
80	140.50	107.50	28.50	RH / LH	RH	60.50	7.75	20.38	4.13	1.00
100	154.50	119.75	28.50	RH / LH	RH	60.50	7.75	20.38	4.13	1.00
120	182.00	119.75	28.50	RH / LH	RH	60.50	7.75	20.38	4.13	1.00

Note: ¹Shipping split flange dimension is for shipping planning purposes only and does not add to installed overall unit length. ²Base line includes the height for standard 2.5-inch integral base frame on unit sizes 3-57 and 6-inch integral base frame on unit sizes 66-120. Low voltage door is available on opposite side from high voltage door. End-of-unit section dimensions are 4 inches longer than non-EOU section.

Dampers

External Face-and-Bypass Dampers

Figure 24. External face-and-bypass damper

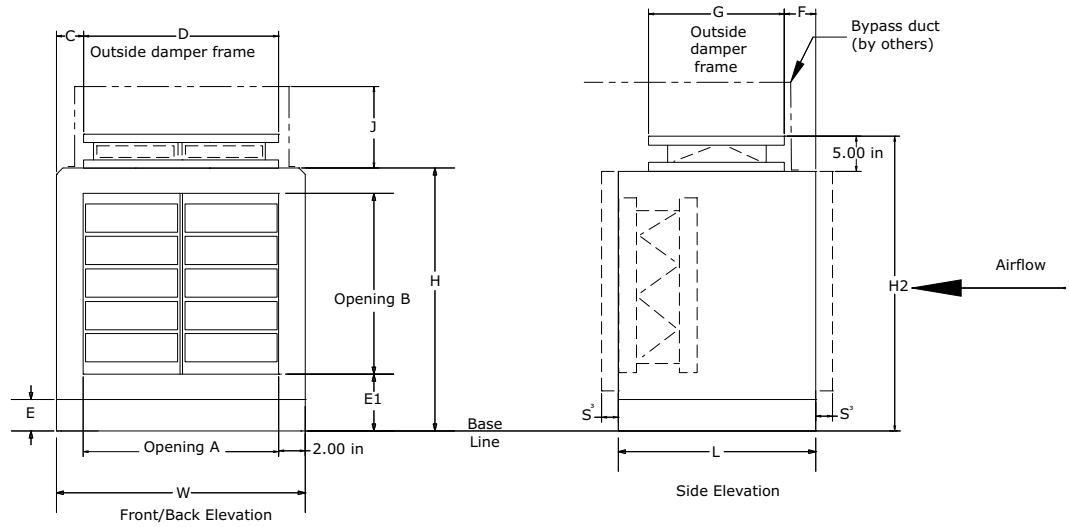


Table 34. External face-and-bypass damper dimensions (inches)

Unit Size	W	L	H	H2	A	B	C	D	Base ²		F	G	J	Ship split
									E	E1				S ¹
3	31.50	19.00	29.00	34.00	27.50	22.50	5.75	20.00	2.50	4.50	2.50	14.00	14.13	1.00
4	44.00	19.00	29.00	34.00	40.00	22.50	5.75	32.50	2.50	4.50	2.50	14.00	16.13	1.00
6	44.00	19.00	35.25	40.25	40.00	28.75	5.75	32.50	2.50	4.50	2.50	14.00	16.13	1.00
8	50.50	19.00	37.75	42.75	46.50	31.25	5.75	39.00	2.50	4.50	2.50	14.00	16.13	1.00
10	61.50	19.00	37.75	42.75	57.50	31.25	5.75	50.00	2.50	4.50	2.50	14.00	16.13	1.00
12	66.50	19.00	41.50	46.50	62.50	35.00	5.75	55.00	2.50	4.50	2.50	14.00	20.13	1.00
14	72.00	19.00	41.50	46.50	68.00	35.00	5.75	60.50	2.50	4.50	2.50	14.00	20.13	1.00
17	72.00	19.00	49.00	54.00	68.00	42.50	5.75	60.50	2.50	4.50	2.50	14.00	20.13	1.00
21	80.00	19.00	52.75	57.75	76.00	46.25	5.75	68.50	2.50	4.50	2.50	14.00	26.13	1.00
22	61.50	19.00	67.25											
25	80.00	19.00	61.50	66.50	76.00	55.00	5.75	68.50	2.50	4.50	2.50	14.00	26.13	1.00
26	61.50	19.00	85.50											
30	93.50	19.00	61.50	66.50	89.50	55.00	5.75	82.00	2.50	4.50	2.50	14.00	26.13	1.00
31	72.00	19.00	85.50											
35	100.00	22.00	67.25	72.25	96.00	60.75	7.62	84.88	2.50	4.50	4.13	14.00	32.50	1.00
36	80.00		89.00											
40	112.50	22.00	67.25	72.25	108.50	60.75	7.62	97.38	2.50	4.50	4.13	14.00	32.50	1.00
41	80.00		104.00											
50	125.50	22.00	75.75	80.75	121.50	69.25	7.62	110.38	2.50	4.50	4.13	14.00	32.50	1.00
51	93.50		104.00											
57	125.50	22.00	85.50	90.50	121.50	79.00	7.62	110.38	2.50	4.50	4.13	14.00	42.50	1.00
58	93.50		116.25											

Table 34. External face-and-bypass damper dimensions (inches)

Unit Size	W	L	H	H2	A	B	C	D	Base ²		F	G	J	Ship split
									E	E1				S ¹
66	140.50	39.00	92.50	94.00	136.50	82.50	7.62	125.38	6.00	8.00	6.88	25.50	42.50	1.00
80	140.50	39.00	107.50	109.00	136.50	97.50	9.62	121.38	6.00	8.00	6.88	25.50	42.50	1.00
100	154.50	39.00	119.75	121.25	150.50	109.75	9.62	135.38	6.00	8.00	6.88	25.50	42.50	1.00
120	182.00	39.00	119.75	121.25	178.00	109.75	9.62	162.88	6.00	8.00	6.88	25.50	42.50	1.00

Note: ¹Shipping split flange dimension is for shipping planning purposes only and does not add to installed overall unit length. ²Base line includes the height for standard 2.5-inch integral base frame on unit sizes 3-57 and 6-inch integral base frame on unit sizes 66-120.

Table 35. Damper face areas

Unit Size	Face Damper Area (ft ²)	Bypass Damper Area (ft ²)	Unit Size	Face Damper Area (ft ²)	Bypass Damper Area (ft ²)
3	3.18	1.92	31		
4	4.89	3.14	35	32.88	7.93
6	6.32	3.14	36		
8	7.46	3.77	40	36.48	8.85
10	9.41	4.83	41		
12	12.62	5.32	50	47.85	10.11
14	13.81	5.85	51		
17	16.36	5.85	57	51.53	10.11
21	21.27	6.63	58		
22			66	63.57	21.09
25	24.14	6.63	80	78.41	20.39
26			100	98.28	22.86
30	28.68	7.94	120	117.89	27.73

Table 36. Recommended bypass duct sizes (inches)

Unit Size	H	W	L	Unit Size	H	W	L
3	15.63	20.00	14.13	31	47.00	61.00	33.13
4	17.63	33.00	16.13	35	45.00	80.00	36.00
6	17.63	33.00	16.13	36	47.50	69.00	40.13
8	17.63	39.00	16.13	40	45.00	92.50	36.00
10	17.63	50.00	16.13	41	55.50	69.00	40.13
12	21.63	55.00	20.13	50	45.00	105.50	36.00
14	21.63	61.00	20.13	51	55.50	82.00	40.13
17	21.63	61.00	20.13	57	47.00	82.00	40.00
21	27.63	69.00	26.13	58	55.50	82.00	52.13
22	45.00	50.50	33.13	66	47.50	120.50	40.00
25	27.63	69.00	26.13	80	55.50	120.50	48.00
26	47.00	50.50	33.13	100	55.50	134.50	48.00
30	27.63	82.00	26.13	120	55.50	162.00	48.00

Face Damper Section

Figure 25. Face damper

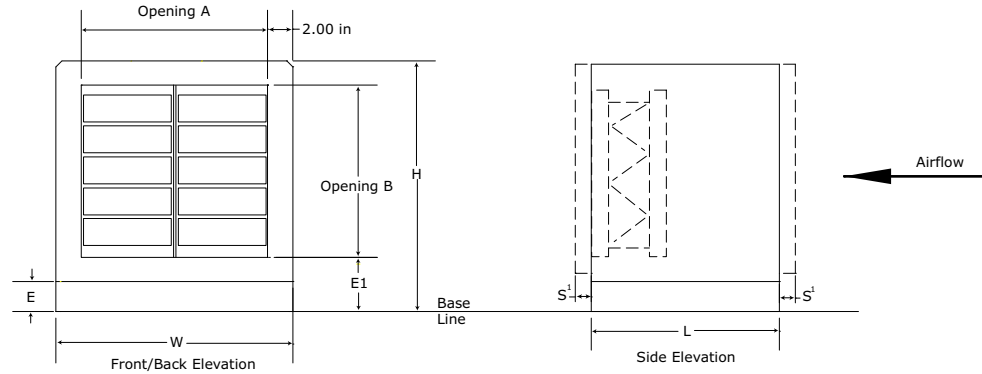
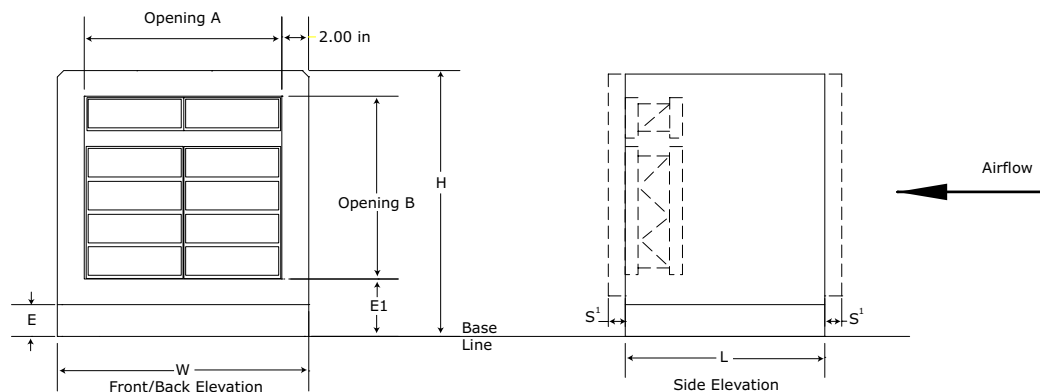


Table 37. Face damper dimensions (inches)

Unit Size	W	L	H	A	B	Base ²		Ship split
						E	E1	S ¹
3	31.50	19.00	29.00	27.50	22.50	2.50	4.50	1.00
4	44.00	19.00	29.00	40.00	22.50	2.50	4.50	1.00
6	44.00	19.00	35.25	40.00	28.75	2.50	4.50	1.00
8	50.50	19.00	37.75	46.50	31.25	2.50	4.50	1.00
10	61.50	19.00	37.75	57.50	31.25	2.50	4.50	1.00
12	66.50	19.00	41.50	62.50	35.00	2.50	4.50	1.00
14	72.00	19.00	41.50	68.00	35.00	2.50	4.50	1.00
17	72.00	19.00	49.00	68.00	42.50	2.50	4.50	1.00
21	80.00	19.00	52.75	76.00	46.25	2.50	4.50	1.00
22	61.50	19.00	67.25	57.50	60.75	2.50	4.50	1.00
25	80.00	19.00	61.50	76.00	55.00	2.50	4.50	1.00
26	61.50	19.00	85.50	57.50	79.00	2.50	4.50	1.00
30	93.50	19.00	61.50	89.50	55.00	2.50	4.50	1.00
31	72.00	19.00	85.50	68.00	79.00	2.50	4.50	1.00
35	100.00	19.00	67.25	96.00	60.75	2.50	4.50	1.00
36	80.00	19.00	89.00	76.00	82.50	2.50	4.50	1.00
40	112.50	19.00	67.25	108.50	60.75	2.50	4.50	1.00
41	80.00	19.00	104.00	76.00	97.50	2.50	4.50	1.00
50	125.50	19.00	75.75	121.50	69.25	2.50	4.50	1.00
51	93.50	19.00	104.00	89.50	97.50	2.50	4.50	1.00
57	125.50	19.00	85.50	121.50	79.00	2.50	4.50	1.00
58	93.50	19.00	116.25	89.50	109.75	2.50	4.50	1.00
66	140.50	19.00	92.50	136.50	82.50	6.00	8.00	1.00
80	140.50	19.00	107.50	136.50	97.50	6.00	8.00	1.00
100	154.50	19.00	119.75	150.50	109.75	6.00	8.00	1.00
120	182.00	19.00	119.75	178.00	109.75	6.00	8.00	1.00

Note: ¹Shipping split flange dimension is for shipping planning purposes only and does not add to installed overall unit length.
²Base line includes the height for standard 2.5-inch integral base frame on unit sizes 3-57 and 6-inch integral base frame on unit sizes 66-120.

Internal Face-and-Bypass Dampers

Figure 26. Internal face-and-bypass damper

Table 38. Internal face-and-bypass dimensions (inches)

Unit Size	W	L	H	A	B	Base ² E	E1	Ship split S ¹
3	31.50	19.00	29.00	27.50	22.50	2.50	4.50	1.00
4	44.00	19.00	29.00	40.00	22.50	2.50	4.50	1.00
6	44.00	19.00	35.25	40.00	28.75	2.50	4.50	1.00
8	50.50	19.00	37.75	46.50	31.25	2.50	4.50	1.00
10	61.50	19.00	37.75	57.50	31.25	2.50	4.50	1.00
12	66.50	19.00	41.50	62.50	35.00	2.50	4.50	1.00
14	72.00	19.00	41.50	68.00	35.00	2.50	4.50	1.00
17	72.00	19.00	49.00	68.00	42.50	2.50	4.50	1.00
21	80.00	19.00	52.75	76.00	46.25	2.50	4.50	1.00
22	61.50	19.00	67.25	57.50	60.75	2.50	4.50	1.00
25	80.00	19.00	61.50	76.00	55.00	2.50	4.50	1.00
26	61.50	19.00	85.50	57.50	79.00	2.50	4.50	1.00
30	93.50	19.00	61.50	89.50	55.00	2.50	4.50	1.00
31	72.00	19.00	85.50	68.00	79.00	2.50	4.50	1.00
35	100.00	19.00	67.25	96.00	60.75	2.50	4.50	1.00
36	80.00	19.00	89.00	76.00	82.50	2.50	4.50	1.00
40	112.50	19.00	67.25	108.50	60.75	2.50	4.50	1.00
41	80.00	19.00	104.00	76.00	97.50	2.50	4.50	1.00
50	125.50	19.00	75.75	121.50	69.25	2.50	4.50	1.00
51	93.50	19.00	104.00	89.50	97.50	2.50	4.50	1.00
57	125.50	19.00	85.50	121.50	79.00	2.50	4.50	1.00
58	93.50	19.00	116.25	89.50	109.75	2.50	4.50	1.00
66	140.50	19.00	92.50	136.50	82.50	6.00	8.00	1.00
80	140.50	19.00	107.50	136.50	97.50	6.00	8.00	1.00
100	154.50	19.00	119.75	150.50	109.75	6.00	8.00	1.00
120	182.00	19.00	119.75	178.00	109.75	6.00	8.00	1.00

Table 39. Damper face areas

Face Damper Area (ft ²)	Bypass Damper Area (ft ²)
1.63	1.32
2.50	2.04
2.76	2.04
4.74	2.41
5.97	3.04
9.26	3.32
10.14	3.64
12.56	3.64
15.55	5.45
11.53	7.29
16.85	6.96
17.91	7.29
20.02	8.27
21.44	8.72
18.73	11.83
27.00	9.82
20.77	13.12
32.72	9.82
32.28	14.90
38.88	11.67
36.63	14.90
48.46	11.67
46.62	16.96
56.51	16.96
76.27	18.87
91.48	22.64

Note: ¹Shipping split flange dimension is for shipping planning purposes only and does not add to installed overall unit length. ²Base line includes the height for standard 2.5-inch integral base frame on unit sizes 3-57 and 6-inch integral base frame on unit sizes 66-120.

Diffuser

Figure 27. Diffuser section

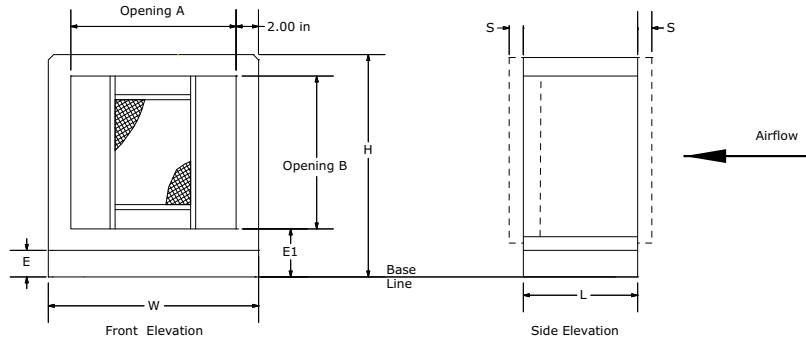


Table 40. Diffuser section dimensions (inches)

Unit Size	W	L	H	Front/Back Opening		Base ²		Ship split
				A	B	E	E1	S ¹
3	31.50	10.00	29.00	27.50	22.50	2.50	4.50	1.00
4	44.00	10.00	29.00	40.00	22.50	2.50	4.50	1.00
6	44.00	10.00	35.25	40.00	28.75	2.50	4.50	1.00
8	50.50	14.00	37.75	46.50	31.25	2.50	4.50	1.00
10	61.50	14.00	37.75	57.50	31.25	2.50	4.50	1.00
12	66.50	14.00	41.50	62.50	35.00	2.50	4.50	1.00
14	72.00	14.00	41.50	68.00	35.00	2.50	4.50	1.00
17	72.00	14.00	49.00	68.00	42.50	2.50	4.50	1.00
21	80.00	14.00	52.75	76.00	46.25	2.50	4.50	1.00
22	61.50	24.50	67.25	57.50	60.75	2.50	4.50	1.00
25	80.00	19.00	61.50	76.00	55.00	2.50	4.50	1.00
26	61.50	24.50	85.50	57.50	79.00	2.50	4.50	1.00
30	93.50	19.00	61.50	89.50	55.00	2.50	4.50	1.00
31	72.00	24.50	85.50	68.00	79.00	2.50	4.50	1.00
35	100.00	24.50	67.25	96.00	60.75	2.50	4.50	1.00
36	80.00	24.50	89.00	76.00	82.50	2.50	4.50	1.00
40	112.50	24.50	67.25	108.50	60.75	2.50	4.50	1.00
41	80.00	24.50	104.00	76.00	97.50	2.50	4.50	1.00
50	125.50	24.50	75.75	121.50	69.25	2.50	4.50	1.00
51	93.50	24.50	104.00	89.50	97.50	2.50	4.50	1.00
57	125.50	24.50	85.50	121.50	79.00	2.50	4.50	1.00
58	93.50	24.50	116.25	89.50	109.75	2.50	4.50	1.00
66	140.50	27.50	92.50	136.50	82.50	6.00	8.00	1.00
80	140.50	37.25	107.50	136.50	97.50	6.00	8.00	1.00
100	154.50	37.25	119.75	150.50	109.75	6.00	8.00	1.00
120	182.00	37.25	119.75	178.00	109.75	6.00	8.00	1.00

Note: ¹Shipping split flange dimension is for shipping planning purposes only and does not add to installed overall unit length. ²Base line includes the height for standard 2.5-inch integral base frame on unit sizes 3-57 and 6-inch integral base frame on unit sizes 66-120.

Discharge Plenum

Figure 28. Horizontal discharge plenum with rectangular openings

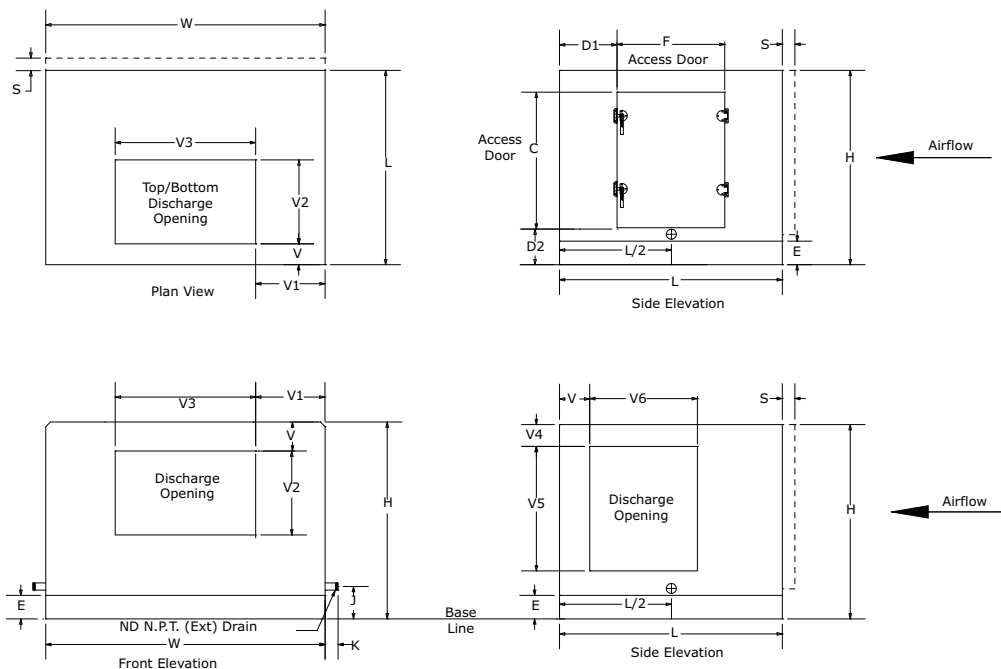
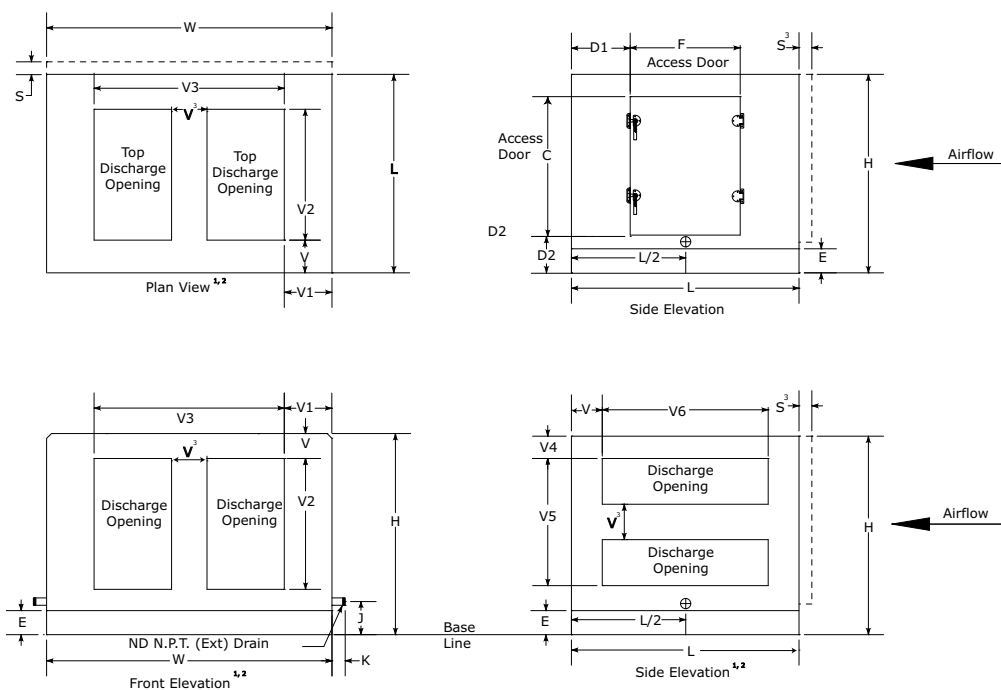


Figure 29. Horizontal discharge plenum with multiple/variable rectangular openings





Dimensions

Table 41. Discharge plenum dimensions (inches) - doors and drain pans

Unit Size	W	H	L	Inward Door ⁴					Outward Door ⁵					Base ²	Drain Pan ⁶ Horizontal Discharge			Ship split S ¹
				Hinge ³	C	F	D1	D2	Hinge ³	C	F	D1	D2		E	J	K	
3	31.50	29.00	34.00	AE	19.38	16.00	9.00	5.38	AE	22.25	18.75	7.63	4.25	2.50	3.38	2.63	1.00	1.00
4	44.00	29.00	34.00	AE	19.38	16.00	9.00	5.38	AE	22.25	18.75	7.63	4.25	2.50	3.38	2.63	1.00	1.00
6	44.00	35.25	34.00	AE	25.63	16.00	9.00	5.38	AE	28.50	18.75	7.63	4.25	2.50	3.38	2.63	1.00	1.00
8	50.50	37.75	36.00	AE	28.13	16.00	10.00	5.38	AE	31.00	18.75	8.63	4.25	2.50	3.38	2.63	1.00	1.00
10	61.50	37.75	36.00	AE	28.13	16.00	10.00	5.38	AE	31.00	18.75	8.63	4.25	2.50	3.38	2.63	1.00	1.00
12	66.50	41.50	36.00	AE	31.88	16.00	10.00	5.38	AE	34.75	18.75	8.63	4.25	2.50	3.38	2.63	1.00	1.00
14	72.00	41.50	36.00	AE	31.88	16.00	10.00	5.38	AE	34.75	18.75	8.63	4.25	2.50	3.38	2.63	1.00	1.00
17	72.00	49.00	36.00	AE	39.38	17.63	9.25	5.38	AE	42.25	20.38	7.88	4.25	2.50	3.38	2.63	1.00	1.00
21	80.00	52.75	34.00	AE	43.13	16.00	9.00	5.38	AE	46.00	18.75	7.63	4.25	2.50	3.38	2.63	1.00	1.00
22	61.50	67.25	36.00	AE	57.63	16.00	10.00	5.38	AE	60.50	18.75	8.63	4.25	2.50	3.38	2.63	1.00	1.00
25	80.00	61.50	46.00	AE	51.88	17.63	14.25	5.38	AE	54.75	20.38	12.88	4.25	2.50	3.38	2.63	1.00	1.00
26	61.50	85.50	46.00	AE	57.63	17.63	14.25	5.38	AE	60.50	20.38	12.88	4.25	2.50	3.38	2.63	1.00	1.00
30	93.50	61.50	46.00	AE	51.88	17.63	14.25	5.38	AE	54.75	20.38	12.88	4.25	2.50	3.38	2.63	1.00	1.00
31	72.00	85.50	46.00	AE	57.63	17.63	14.25	5.38	AE	60.50	20.38	12.88	4.25	2.50	3.38	2.63	1.00	1.00
35	100.00	67.25	48.00	AE	57.63	17.63	15.25	5.38	AE	60.50	20.38	13.88	4.25	2.50	3.75	3.63	1.25	1.00
36	80.00	89.00	46.00	AE	57.63	17.63	14.25	5.38	AE	60.50	20.38	12.88	4.25	2.50	3.75	3.63	1.25	1.00
40	112.50	67.25	48.00	AE	57.63	17.63	15.25	5.38	AE	60.50	20.38	13.88	4.25	2.50	3.75	3.63	1.25	1.00
41	80.00	104.00	46.00	AE	57.63	17.63	14.25	5.38	AE	60.50	20.38	12.88	4.25	2.50	3.75	3.63	1.25	1.00
50	125.50	75.75	48.00	AE	66.13	17.63	15.25	5.38	AE	69.00	20.38	13.88	4.25	2.50	3.75	3.63	1.25	1.00
51	93.50	104.00	46.00	AE	57.63	17.63	14.25	5.38	AE	60.50	20.38	12.88	4.25	2.50	3.75	3.63	1.25	1.00
57	125.50	85.50	48.00	AE	57.63	17.63	15.25	5.38	AE	60.50	20.38	13.88	4.25	2.50	3.75	3.63	1.25	1.00
58	93.50	116.25	46.00	AE	57.63	17.63	14.25	5.38	AE	60.50	20.38	12.88	4.25	2.50	3.75	3.63	1.25	1.00
66	140.50	92.50	49.00	AE	57.63	17.63	15.75	8.88	AE	60.50	20.38	14.38	7.75	6.00	7.63	3.63	1.50	1.00
80	140.50	107.50	54.00	AE	57.63	17.63	18.25	8.88	AE	60.50	20.38	16.88	7.75	6.00	7.63	3.63	1.50	1.00
100	154.50	119.75	60.00	AE	57.63	17.63	21.25	8.88	AE	60.50	20.38	19.88	7.75	6.00	7.63	3.63	1.50	1.00
120	182.00	119.75	60.00	AE	57.63	17.63	21.25	8.88	AE	60.50	20.38	19.88	7.75	6.00	7.63	3.63	1.50	1.00

Note: ¹Shipping split flange dimension is for shipping planning purposes only and does not add to installed overall unit length. ²Base line includes the height for standard 2.5-inch integral base frame on unit sizes 3-57 and 6-inch integral base frame on unit sizes 66-120. ³Hinged on air-entering (AE) side or air-leaving (AL) side. ⁴Inward swing doors are dimensioned to door opening. ⁵Outward swing door opening is (F-2.73) by (C-1.80). ⁶Drain pan connection dimension is nominal pipe size. IAQ drain pan connections can be either LH or RH, but not both.

Table 42. Horizontal discharge plenum with rectangular opening dimensions (inches)

Unit size	W	H	L	Rectangular Openings															
				Front/back				Bottom				Top				Side			
				V	V1	V2	V3	V	V1	V2	V3	V	V1	V2	V3	V	V4	V5	V6
3	31.50	29.00	34.00	4.13	8.75	11.00	14.00	4.13	8.75	11.00	14.00	4.13	8.75	11.00	14.00	4.13	4.50	11.00	14.00
4	44.00	29.00	34.00	4.13	12.00	11.00	20.00	4.13	12.00	11.00	20.00	4.13	12.00	11.00	20.00	4.13	4.50	12.00	15.00
6	44.00	35.25	34.00	4.13	11.50	15.00	21.00	4.13	11.50	15.00	21.00	4.13	11.50	15.00	21.00	4.13	4.50	17.00	18.00
8	50.50	37.75	36.00	4.13	13.25	16.00	24.00	4.13	13.25	16.00	24.00	4.13	13.25	16.00	24.00	4.13	4.50	19.00	19.00
10	61.50	37.75	36.00	4.13	15.75	16.00	30.00	4.13	15.75	16.00	30.00	4.13	15.75	16.00	30.00	4.13	4.50	22.00	22.00
12	66.50	41.50	36.00	4.13	17.25	18.00	32.00	4.13	17.25	18.00	32.00	4.13	17.25	18.00	32.00	4.13	4.50	25.00	23.00
14	72.00	41.50	36.00	4.13	17.50	19.00	37.00	4.13	17.50	19.00	37.00	4.13	17.50	19.00	37.00	4.13	4.50	27.00	25.00
17	72.00	49.00	36.00	4.13	17.50	23.00	37.00	4.13	17.50	23.00	37.00	4.13	17.50	23.00	37.00	4.13	4.50	32.00	25.00
21	80.00	52.75	34.00	4.13	19.50	25.00	41.00	4.13	19.50	25.00	41.00	4.13	19.50	25.00	41.00	4.13	4.50	39.00	26.00
22	61.50	67.25	36.00	16.38	15.75	33.00	30.00	5.50	10.25	25.00	41.00	6.00	9.25	24.00	43.00	7.50	7.50	49.75	21.00

Table 42. Horizontal discharge plenum with rectangular opening dimensions (inches)

Unit size	W	H	L	Rectangular Openings															
				Front/back				Bottom				Top				Side			
				V	V1	V2	V3	V	V1	V2	V3	V	V1	V2	V3	V	V4	V5	V6
25	80.00	61.50	46.00	4.13	19.50	30.00	41.00	4.13	19.50	30.00	41.00	4.13	19.50	30.00	41.00	4.13	4.50	39.00	30.00
26	61.50	85.50	46.00	21.00	10.75	41.00	40.00	8.00	10.25	30.00	41.00	8.00	10.25	30.00	41.00	10.00	19.00	45.00	26.00
30	93.50	61.50	46.00	4.13	22.25	30.00	49.00	4.13	22.25	30.00	49.00	4.13	22.25	30.00	49.00	4.13	4.50	43.00	34.00
31	72.00	85.50	46.00	21.00	13.00	41.00	46.00	8.00	11.50	30.00	49.00	8.00	11.50	30.00	49.00	8.50	16.50	50.00	29.00
35	100.00	67.25	48.00	16.38	19.50	32.00	61.00	10.00	20.00	28.00	60.00	9.50	17.50	29.00	65.00	6.00	9.88	45.00	36.00
36	80.00	89.00	46.00	21.75	15.00	43.00	50.00	9.00	10.00	28.00	60.00	8.00	13.00	30.00	54.00	8.00	16.25	54.00	30.00
40	112.50	67.25	48.00	16.38	22.75	32.00	67.00	10.00	21.75	28.00	69.00	9.50	19.75	29.00	73.00	5.00	8.38	48.00	38.00
41	80.00	104.00	46.00	25.75	15.00	50.00	50.00	9.00	10.00	28.00	60.00	6.50	10.00	33.00	60.00	8.00	18.75	64.00	30.00
50	125.50	75.75	48.00	18.13	25.25	37.00	75.00	9.00	22.75	30.00	80.00	8.50	20.25	31.00	85.00	5.00	8.13	57.00	38.00
51	93.50	104.00	46.00	25.25	18.25	51.00	57.00	8.00	6.75	30.00	80.00	6.00	10.25	34.00	73.00	7.50	13.75	74.00	31.00
57	125.50	85.50	48.00	20.50	25.25	42.00	75.00	8.00	20.25	32.00	85.00	7.50	17.75	33.00	90.00	5.00	7.50	68.00	38.00
58	93.50	116.25	46.00	27.88	17.75	58.00	58.00	8.00	6.75	30.00	80.00	6.00	10.25	34.00	73.00	7.50	14.88	84.00	31.00
66	140.50	92.50	49.00	21.25	28.75	44.00	83.00	8.00	25.75	33.00	89.00	7.50	20.25	34.00	100.00	5.00	7.75	71.00	39.00
80	140.50	107.50	54.00	24.75	28.75	52.00	83.00	8.00	25.75	38.00	89.00	7.50	17.25	39.00	106.00	5.00	9.75	82.00	44.00
100	154.50	119.75	60.00	27.38	31.75	59.00	91.00	9.00	25.75	42.00	103.00	8.00	20.75	44.00	113.00	5.00	10.38	93.00	50.00
120	182.00	119.75	60.00	27.38	38.00	59.00	106.00	9.00	30.00	42.00	122.00	8.00	23.50	44.00	135.00	5.00	7.88	98.00	50.00

Table 43. Horizontal discharge plenum with full face rectangular opening dimensions (inches)

Unit Size	W	H	L	Front/Back Full Face			Top Full Face				Side Full Face			
				V1	V2	V3	V	V1	V2	V3	V	V4	V5	V6
3	31.50	29.00	34.00	5.50	18.38	20.50	4.13	5.50	25.75	20.50	4.13	4.50	18.00	25.75
4	44.00	29.00	34.00	5.50	18.38	33.00	4.13	5.50	25.75	33.00	4.13	4.50	18.00	25.75
6	44.00	35.25	34.00	5.50	24.63	33.00	4.13	5.50	25.75	33.00	4.13	4.50	24.25	25.75
8	50.50	37.75	36.00	5.50	27.13	39.50	4.13	5.50	27.75	39.50	4.13	4.50	26.75	27.75
10	61.50	37.75	36.00	5.50	27.13	50.50	4.13	5.50	27.75	50.50	4.13	4.50	26.75	27.75
12	66.50	41.50	36.00	5.50	30.88	55.50	4.13	5.50	27.75	55.50	4.13	4.50	30.50	27.75
14	72.00	41.50	36.00	5.50	30.88	61.00	4.13	5.50	27.75	61.00	4.13	4.50	30.50	27.75
17	72.00	49.00	36.00	5.50	38.38	61.00	4.13	5.50	27.75	61.00	4.13	4.50	38.00	27.75
21	80.00	52.75	34.00	5.50	42.13	69.00	4.13	5.50	25.75	69.00	4.13	4.50	41.75	25.75
22	61.5	67.25	36.00	10.00	49.75	41.50	4.13	5.50	27.75	50.50	4.75	7.50	49.75	26.50
25	80.00	61.50	46.00	5.50	50.75	69.00	4.13	5.50	37.75	69.00	4.13	4.50	50.50	37.75
26	61.5	85.50	46.00	10.00	68.00	41.50	4.13	5.50	37.75	50.50	4.75	7.50	68.00	36.50
30	93.50	61.50	46.00	5.50	50.75	82.50	4.13	5.50	37.75	82.50	4.13	4.50	50.50	37.75
31	72.00	85.50	46.00	10.00	68.00	52.00	4.13	5.50	37.75	61.00	4.75	7.50	68.00	36.50
35	100.00	67.25	48.00	10.00	49.75	80.00	4.50	7.25	39.00	85.50	4.75	7.50	49.75	38.50
36	80.00	89.00	46.00	10.00	71.50	60.00	4.13	5.50	37.75	69.00	4.75	7.50	71.50	36.50
40	112.50	67.25	48.00	10.00	49.75	92.50	4.50	7.25	39.00	98.00	4.75	7.50	49.75	38.50
41	80.00	104.00	46.00	10.00	86.50	60.00	4.13	5.50	37.75	69.00	4.75	7.50	86.50	36.50
50	125.50	75.75	48.00	10.00	58.25	105.50	4.50	7.25	39.00	111.00	4.75	7.50	58.25	38.50
51	93.50	104.00	46.00	10.00	86.50	73.50	4.13	5.50	37.75	82.50	4.75	7.50	86.50	36.50
57	125.50	85.50	48.00	10.00	68.00	105.50	4.50	7.25	39.00	111.00	4.75	7.50	68.00	38.50
58	93.50	116.25	46.00	10.00	98.75	73.50	4.13	5.50	37.75	82.50	4.75	7.50	98.75	36.50

Dimensions

Table 43. Horizontal discharge plenum with full face rectangular opening dimensions (inches)

Unit Size	W	H	L	Front/Back Full Face			Top Full Face				Side Full Face			
				V1	V2	V3	V	V1	V2	V3	V	V4	V5	V6
66	140.50	92.50	49.00	10.00	71.50	120.50	7.13	7.25	34.75	126.00	4.75	7.50	71.50	39.50
80	140.50	107.50	54.00	10.00	86.50	120.50	7.13	9.25	39.75	122.00	4.75	7.50	86.50	44.50
100	154.50	119.75	60.00	10.00	98.75	134.50	7.13	9.25	45.75	136.00	4.75	7.50	98.75	50.50
120	182.00	119.75	60.00	10.00	98.75	162.00	7.13	9.25	45.75	163.50	4.75	7.50	98.75	50.50

Figure 30. Horizontal discharge plenums with round openings

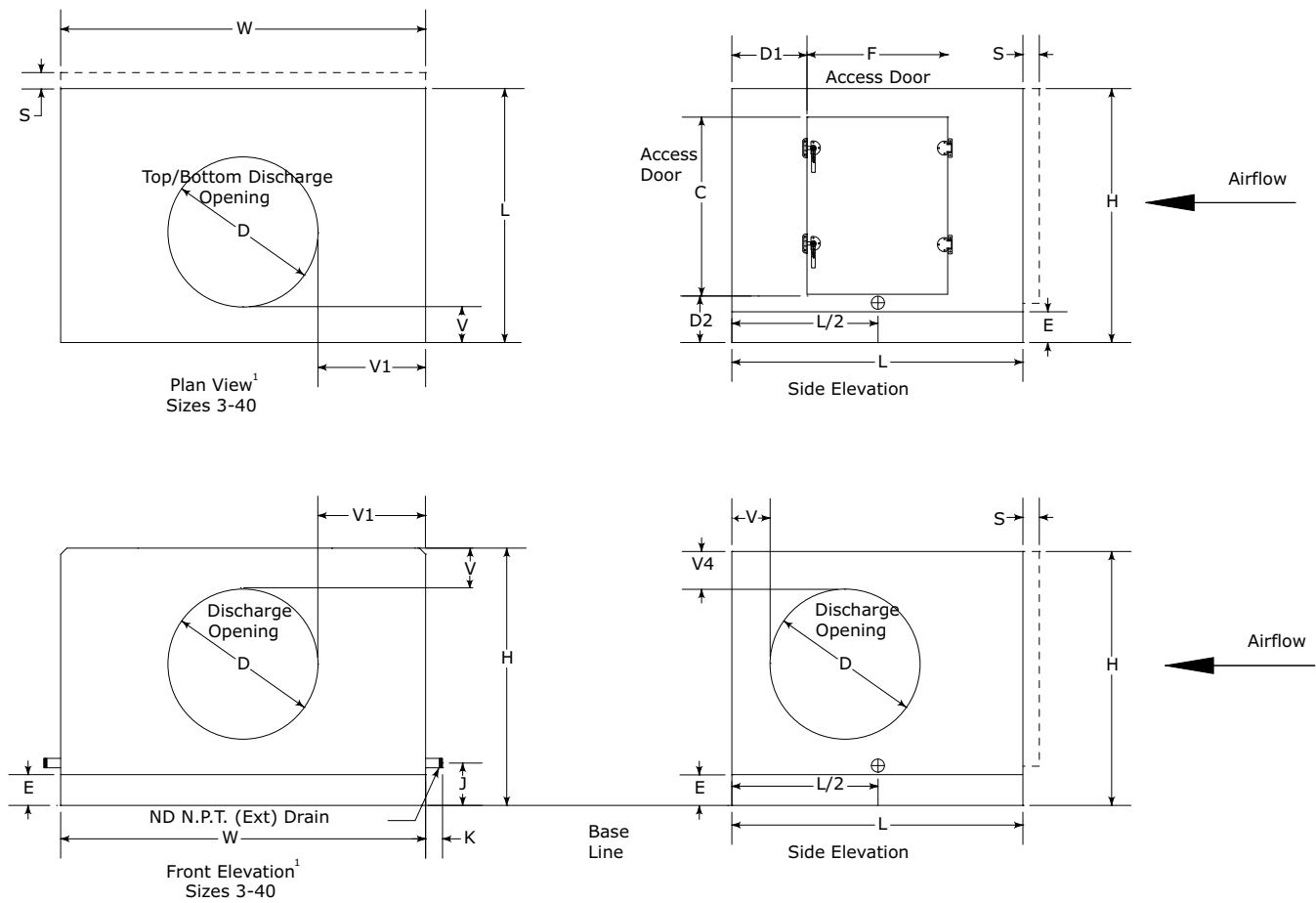
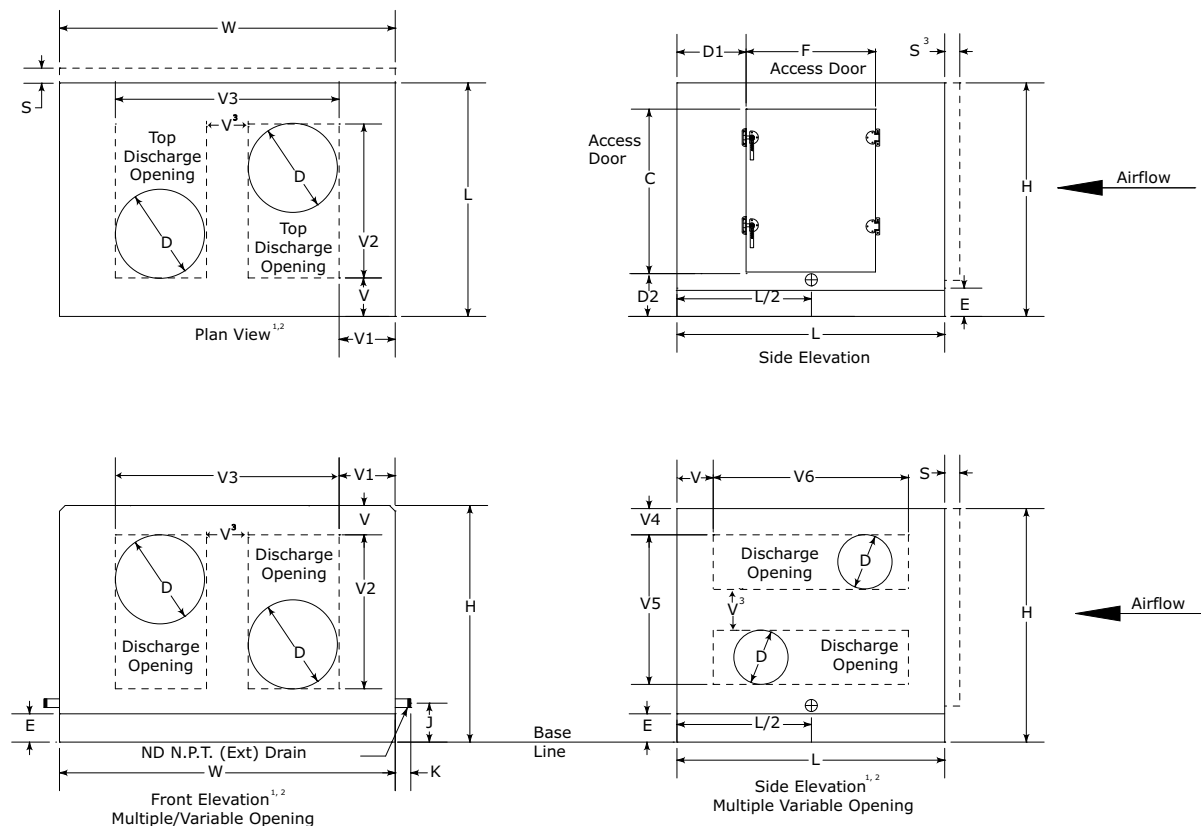


Figure 31. Horizontal discharge plenums with multiple/variable round openings

Table 44. Horizontal discharge plenum with round opening dimensions (inches)

Unit Size	Round Openings																		
	Front/Back		Top		Bottom		Side												
W	H	L	V	V1	D	Qty	V	V1	D	Qty	V	V1	D	Qty	V	V4	D	Qty	
3	31.50	29.00	34.00	4.13	9.25	13.00	1	4.13	9.25	13.00	1	4.13	9.25	13.00	1	4.13	4.50	13.00	1
4	44.00	29.00	34.00	4.13	14.00	16.00	1	4.13	14.00	16.00	1	4.13	14.00	16.00	1	4.13	4.50	16.00	1
6	44.00	35.25	34.00	4.13	12.00	20.00	1	4.13	12.00	20.00	1	4.13	12.00	20.00	1	4.13	4.50	20.00	1
8	50.50	37.75	36.00	4.13	14.25	22.00	1	4.13	14.25	22.00	1	4.13	14.25	22.00	1	4.13	4.50	22.00	1
10	61.50	37.75	36.00	4.13	18.75	24.00	1	4.13	18.75	24.00	1	4.13	18.75	24.00	1	4.13	4.50	24.00	1
12	66.50	41.50	36.00	4.13	20.25	26.00	1	4.13	20.25	26.00	1	4.13	20.25	26.00	1	4.13	4.50	28.00	1
14	72.00	41.50	36.00	4.13	23.00	26.00	1	4.13	23.00	26.00	1	4.13	23.00	26.00	1	4.13	4.50	28.00	1
17	72.00	49.00	36.00	4.13	23.00	26.00	1	4.13	23.00	26.00	1	4.13	23.00	26.00	1	4.13	4.50	28.00	1
21	80.00	52.75	34.00	4.13	28.00	24.00	1	4.13	28.00	24.00	1	4.13	28.00	24.00	1	4.13	4.50	26.00	1
22	61.5	67.25	36.00	15.38	13.75	34.00	1	6.50	5.75	23.00	2	6.63	5.750	23.00	2	6.56	7.50	22.88	2
25	80.00	61.50	46.00	4.13	22.00	36.00	1	4.13	22.00	36.00	1	4.13	22.00	36.00	1	4.13	4.50	38.00	1
26	61.5	85.5	46.00	22.50	11.75	38.00	1	4.50	12.25	37.00	1	5.75	13.50	34.50	1	7.00	7.50	32.00	2
30	93.50	61.50	46.00	4.13	28.75	36.00	1	4.13	28.75	36.00	1	4.13	28.75	36.00	1	4.13	4.50	38.00	1
31	72.00	85.5	46.00	20.50	15.00	42.00	1	9.00	6.00	28.00	2	9.00	5.75	28.25	2	7.00	7.50	32.00	2

Dimensions

Table 44. Horizontal discharge plenum with round opening dimensions (inches)

Unit Size	W	H	L	Round Openings															
				Front/Back				Top				Bottom				Side			
				V	V1	D	Qty	V	V1	D	Qty	V	V1	D	Qty	V	V4	D	Qty
35	100.00	67.25	48.00	9.38	27.00	46.00	1	8.00	12.88	32.00	2	8.00	12.88	32.00	2	12.75	7.88	22.50	2
36	80.00	89.00	46.00	14.19	10.94	27.00	4	7.00	6.00	32.00	2	7.00	5.75	32.25	2	6.13	7.50	33.75	2
40	112.50	67.25	48.00	8.38	32.25	48.00	1	7.00	17.13	34.00	2	7.00	17.13	34.00	2	12.75	7.88	22.50	2
41	80.00	104.00	46.00	21.69	10.94	27.00	4	7.00	6.00	32.00	2	7.00	5.75	32.25	2	4.75	12.25	36.50	2
50	125.50	75.75	48.00	17.63	19.63	38.00	2	5.75	21.13	36.50	2	5.75	21.13	36.50	2	10.50	7.63	27.00	2
51	93.50	104.00	46.00	14.69	10.69	34.00	4	4.50	7.75	37.00	2	5.75	10.25	34.50	2	4.75	12.25	36.50	2
57	125.50	85.50	48.00	21.00	16.63	41.00	2	8.00	8.00	32.00	3	8.00	8.00	32.00	3	8.00	7.50	32.00	2
58	93.50	116.25	46.00	20.81	10.69	34.00	4	4.50	7.75	37.00	2	5.75	10.25	34.50	2	4.75	18.38	36.50	2
66	140.50	92.50	49.00	21.25	21.13	44.00	2	7.50	13.00	34.00	3	7.50	13.00	34.00	3	7.63	7.50	33.75	2
80	140.50	107.50	54.00	26.75	17.13	48.00	2	9.00	10.00	36.00	3	9.00	10.00	36.00	3	4.75	7.50	41.25	2
100	154.50	119.75	60.00	16.81	34.13	38.00	4	9.75	10.00	40.50	3	9.75	10.00	40.50	3	4.75	7.63	47.25	2
120	182.00	119.75	60.00	12.81	43.88	42.00	4	7.50	17.00	45.00	3	7.50	17.00	45.00	3	4.75	7.63	47.25	2

Note: ¹Maximum two (2) openings per face on sizes 3-50, three (3) openings top and bottom face for sizes 57-100 and four (4) openings front face for sizes 100-120. Multiple openings require a space between openings of 4.12 inches for sizes 3-40 and 10.25 inches for sizes 50-120.

Figure 32. Vertical discharge plenums with rectangular openings

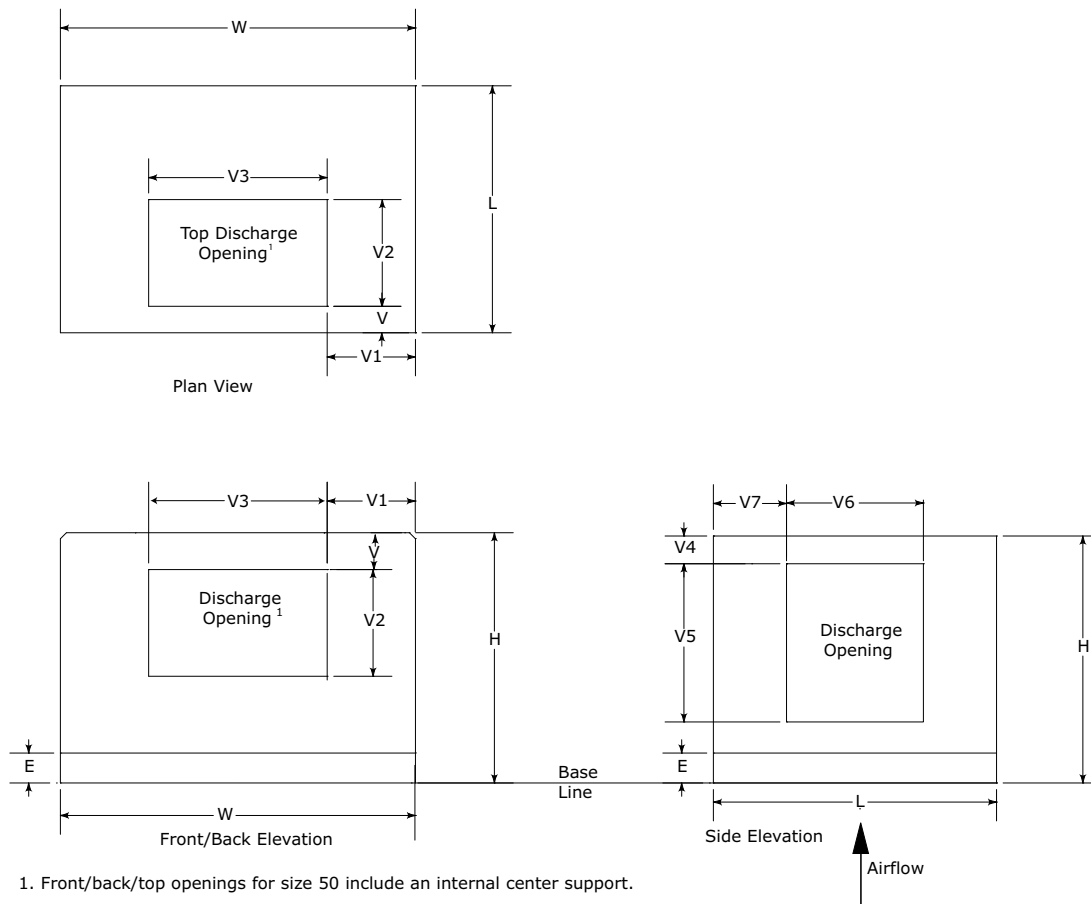


Figure 33. Vertical discharge plenum with multiple/variable rectangular openings

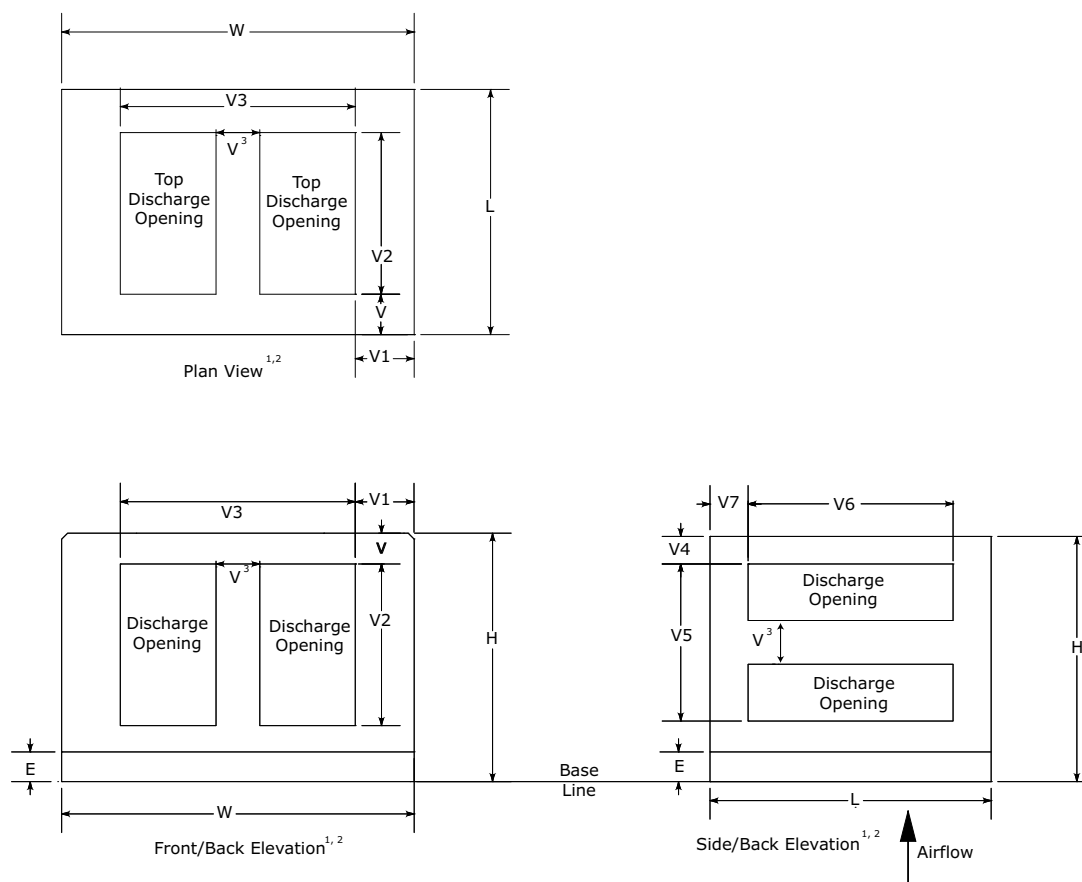


Table 45. Vertical discharge plenum with rectangular opening dimensions (inches)

Unit Size	W	H	L	Rectangular Openings											
				Front/Back				Top				Side			
				V	V1	V2	V3	V	V1	V2	V3	V4	V5	V6	V7
3	31.50	29.00	36.00	4.13	8.75	11.00	14.00	4.13	8.75	11.00	14.00	4.50	11.00	14.00	11.00
4	44.00	29.00	41.00	4.13	12.00	11.00	20.00	4.13	12.00	11.00	20.00	4.50	12.00	15.00	13.00
6	44.00	35.25	41.00	4.13	11.50	15.00	21.00	4.13	11.50	15.00	21.00	4.50	17.00	18.00	11.50
8	50.50	37.75	44.00	4.13	13.25	16.00	24.00	4.13	13.25	16.00	24.00	4.50	19.00	19.00	12.50
10	61.50	37.75	42.50	4.13	15.75	16.00	30.00	4.13	15.75	16.00	30.00	4.50	22.00	22.00	10.25
12	66.50	41.50	42.50	4.13	17.25	18.00	32.00	4.13	17.25	18.00	32.00	4.50	25.00	23.00	9.75
14	72.00	41.50	42.50	4.13	17.50	19.00	37.00	4.13	17.50	19.00	37.00	4.50	27.00	25.00	8.75
17	72.00	49.00	44.00	4.13	17.50	23.00	37.00	4.13	17.50	23.00	37.00	4.50	32.00	25.00	9.50
21	80.00	52.75	50.25	4.13	19.50	25.00	41.00	4.13	19.50	25.00	41.00	4.50	39.00	26.00	12.13
25	80.00	61.50	56.50	4.13	19.50	30.00	41.00	4.13	19.50	30.00	41.00	4.50	39.00	30.00	13.25
30	93.50	61.50	56.50	4.13	22.25	30.00	49.00	4.13	22.25	30.00	49.00	4.50	43.00	34.00	11.25
35	100.00	67.25	63.75	16.38	19.50	32.00	61.00	9.50	17.50	29.00	65.00	9.88	45.00	36.00	13.88
40	112.50	67.25	63.75	16.38	22.75	32.00	67.00	9.50	19.75	29.00	73.00	8.38	48.00	38.00	12.88
50 ¹	125.50	75.75	68.50	18.13	25.25	37.00	75.00	8.50	20.25	31.00	85.00	8.13	57.00	38.00	15.25

Dimensions

Table 45. Vertical discharge plenum with rectangular opening dimensions (inches)

Unit Size	W	H	L	Rectangular Openings											
				Top Full Face				Front Full Face				Side Full Face			
				V	V1	V2	V3	V	V1	V2	V3	V4	V5	V6	V7
3	31.50	29.00	36.00	4.13	5.50	27.75	20.50	4.13	5.50	18.38	20.50	4.50	18.00	27.75	4.13
4	44.00	29.00	41.00	4.13	5.50	32.75	33.00	4.13	5.50	18.38	33.00	4.50	18.00	32.75	4.13
6	44.00	35.25	41.00	4.13	5.50	32.75	33.00	4.13	5.50	24.63	33.00	4.50	24.25	32.75	4.13
8	50.50	37.75	44.00	4.13	5.50	35.75	39.50	4.13	5.50	27.13	39.50	4.50	26.75	35.75	4.13
10	61.50	37.75	42.50	4.13	5.50	34.25	50.50	4.13	5.50	27.13	50.50	4.50	26.75	34.25	4.13
12	66.50	41.50	42.50	4.13	5.50	34.25	55.50	4.13	5.50	30.88	55.50	4.50	30.50	34.25	4.13
14	72.00	41.50	42.50	4.13	5.50	34.25	61.00	4.13	5.50	30.88	61.00	4.50	30.50	34.25	4.13
17	72.00	49.00	44.00	4.13	5.50	35.75	61.00	4.13	5.50	38.38	61.00	4.50	38.00	35.75	4.13
21	80.00	52.75	50.25	4.13	5.50	42.00	69.00	4.13	5.50	42.13	69.00	4.50	41.75	42.00	4.13
25	80.00	61.50	56.50	4.13	5.50	48.25	69.00	4.13	5.50	50.88	69.00	4.50	50.50	48.25	4.13
30	93.50	61.50	56.50	4.13	5.50	48.25	82.50	4.13	5.50	50.88	82.50	4.50	50.50	48.25	4.13
35	100.00	67.25	63.75	4.50	7.25	54.75	85.50	7.50	10.00	49.75	80.00	7.50	49.75	54.25	4.75
40	112.50	67.25	63.75	4.50	7.25	54.75	98.00	7.50	10.00	49.75	92.50	7.50	49.75	54.25	4.75
50	125.50	75.75	68.50	4.50	7.25	59.50	111.00	7.50	10.00	58.25	105.50	7.50	58.25	59.00	4.75

Note: ¹Front/back/top opening for size 50 includes an internal center support. ²Maximum of two (2) openings per face. Opening splits can be horizontal or vertical. Multiple openings require a space between openings of 4.12 inches for sizes 3-40 and 10.25 inches for sizes 50-120.

Figure 34. Vertical discharge plenum with round openings

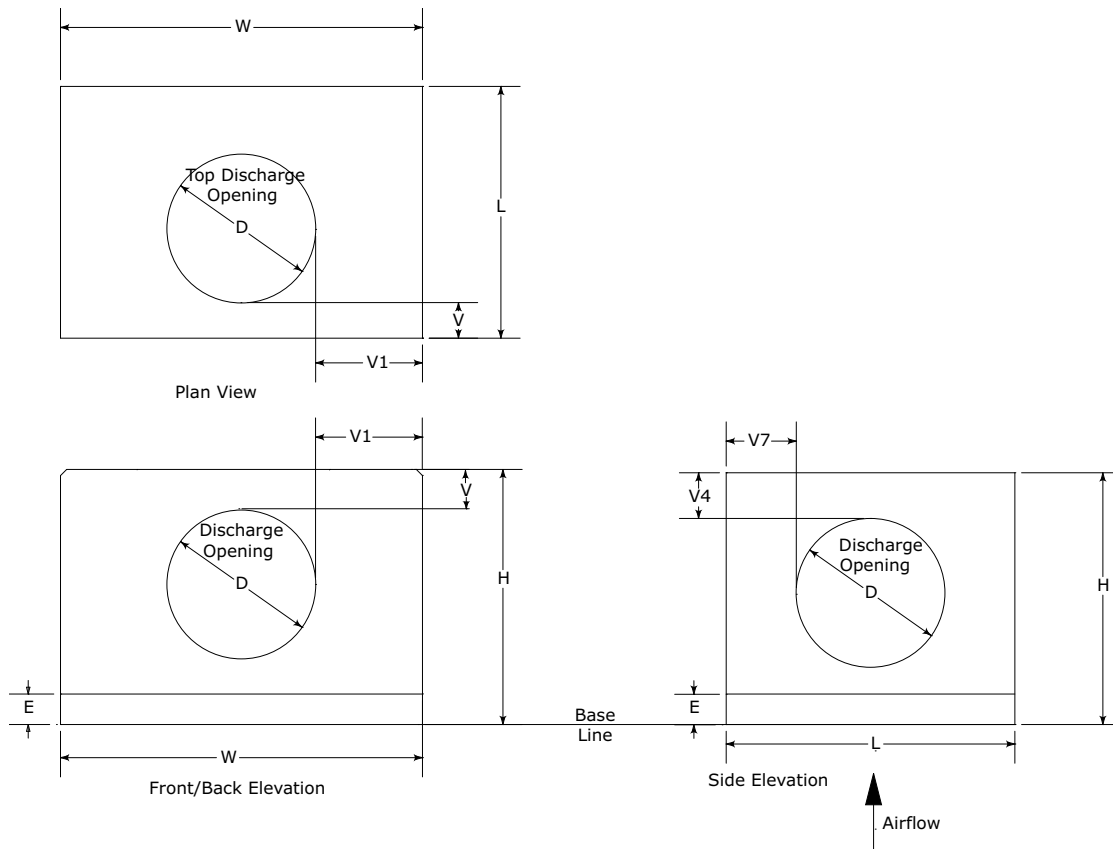


Figure 35. Vertical discharge plenum with multiple/variable round openings

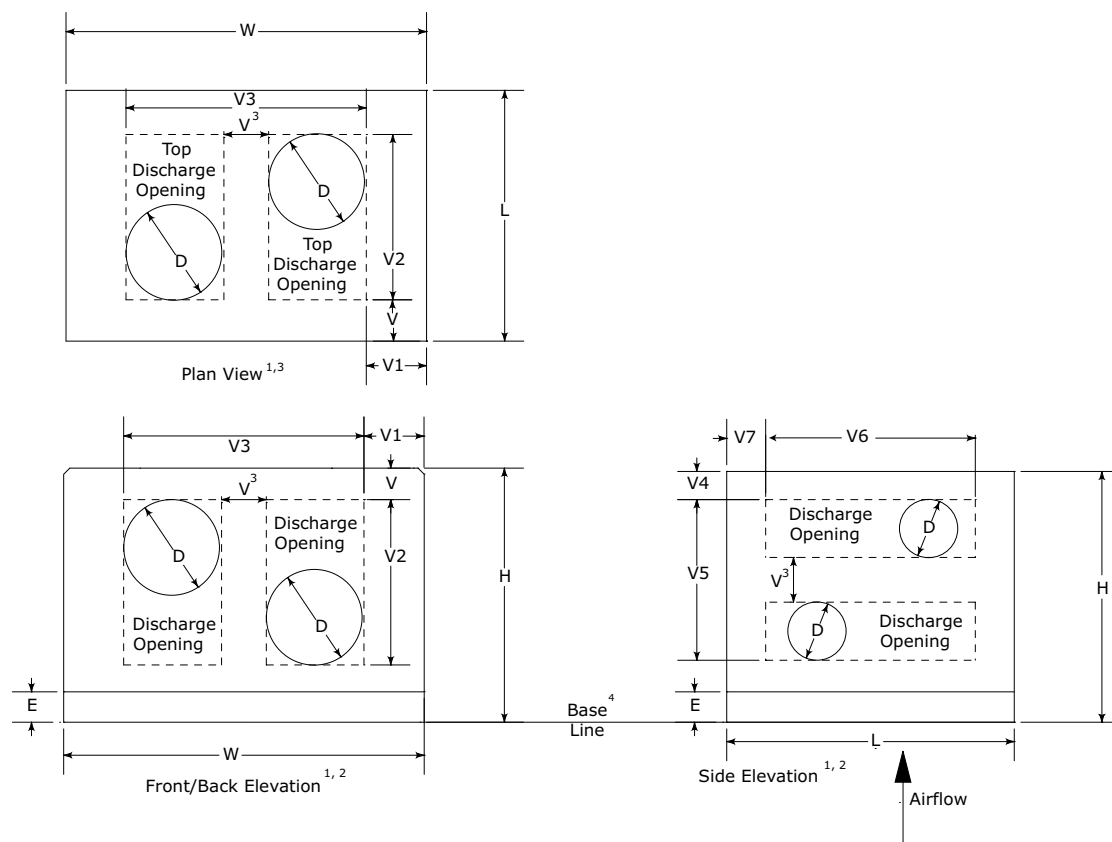


Table 46. Vertical discharge plenum with round opening dimensions (inches)

Unit Size	Round Openings															
	W	H	L	Front/Back				Top				Side				
				V	V1	D	Qty	V	V1	D	Qty	V4	V7	D	Qty	
3	31.50	29.00	36.00	4.13	9.25	13.00	1.00	4.13	9.25	13.00	1.00	4.50	11.50	13.00	1.00	
4	44.00	29.00	41.00	4.13	14.00	16.00	1.00	4.13	14.00	16.00	1.00	4.50	12.50	16.00	1.00	
6	44.00	35.25	41.00	4.13	12.00	20.00	1.00	4.13	12.00	20.00	1.00	4.50	10.50	20.00	1.00	
8	50.50	37.75	44.00	4.13	14.25	22.00	1.00	4.13	14.25	22.00	1.00	4.50	11.00	22.00	1.00	
10	61.50	37.75	42.50	4.13	18.75	24.00	1.00	4.13	18.75	24.00	1.00	4.50	9.25	24.00	1.00	
12	66.50	41.50	42.50	4.13	19.25	28.00	1.00	4.13	19.25	28.00	1.00	4.50	7.25	28.00	1.00	
14	72.00	41.50	42.50	4.13	21.00	30.00	1.00	4.13	21.00	30.00	1.00	4.50	6.25	30.00	1.00	
17	72.00	49.00	44.00	4.13	20.00	32.00	1.00	4.13	20.00	32.00	1.00	4.50	6.00	32.00	1.00	
21	80.00	52.75	50.25	4.13	23.00	34.00	1.00	4.13	23.00	34.00	1.00	4.50	8.13	34.00	1.00	
25	80.00	61.50	56.50	4.13	21.00	38.00	1.00	4.13	21.00	38.00	1.00	4.50	9.25	38.00	1.00	
30	93.50	61.50	56.50	4.13	25.75	42.00	1.00	4.13	25.75	42.00	1.00	4.50	7.25	42.00	1.00	
35	100.00	67.25	63.75	9.38	27.00	46.00	1.00	15.88	12.88	32.00	2.00	9.38	4.75	46.00	1.00	
40	112.50	67.25	63.75	8.38	32.25	48.00	1.00	14.88	17.13	34.00	2.00	8.38	4.75	48.00	1.00	
50	125.50	75.75	68.50	17.63	19.63	38.00	2.00	16.00	21.13	36.50	2.00	12.63	4.75	48.00	1.00	

Note: ¹Maximum of two (2) openings per face. Multiple openings require a space between openings of 4.12 inches for sizes 3-40 and 10.25 inches for size 50.

Economizer

Figure 36. 45-degree diagonal economizer

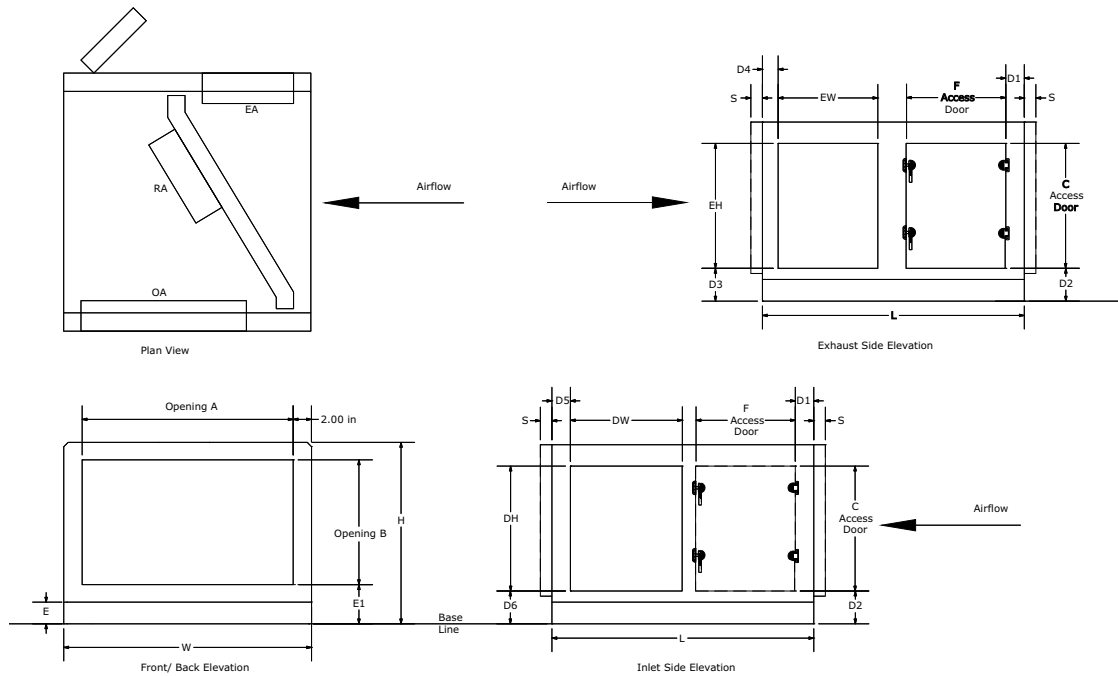


Table 47. 45 degree diagonal economizer dimensions (inches)

Unit size	Front/back opening			Outward door				Exhaust				Exhaust barometric spring						
	W	L	H	A	B	Hinge ³	C	F	D1	D2	EH	EW	D3	D4	EH	EW	D3	D4
3	31.50	45.50	32.50	27.50	22.50	AL	22.25	17.38	2.13	7.75	14.25	17.00	14.38	3.63	13.75	16.50	14.63	3.88
4	44.00	49.00	32.50	40.00	22.50	AL	22.25	17.38	2.13	7.75	14.25	17.00	14.38	3.63	13.75	16.50	14.63	3.88
6	44.00	49.50	38.75	40.00	28.75	AL	28.50	17.38	2.13	7.75	18.75	17.00	16.13	3.63	18.25	16.50	16.38	3.88
8	50.50	48.00	41.25	46.50	31.25	AL	31.00	17.38	2.13	7.75	23.25	17.00	14.13	3.63	22.75	16.50	14.38	3.88
10	61.50	53.00	41.25	57.50	31.25	AL	31.00	23.38	2.13	7.75	23.25	19.38	14.13	3.63	22.75	18.88	14.38	3.88
12	66.50	53.00	45.00	62.50	35.00	AL	34.75	17.38	2.13	7.75	30.00	19.38	11.13	3.63	29.50	18.88	11.38	3.88
14	72.00	56.50	45.00	68.00	35.00	AL	34.75	17.38	2.13	7.75	26.25	22.75	14.88	3.63	25.75	22.25	15.13	3.88
17	72.00	52.00	52.50	68.00	42.50	AL	42.25	17.38	2.13	7.75	33.50	22.75	15.13	3.63	33.00	22.25	15.38	3.88
21	80.00	62.50	56.25	76.00	46.25	AL	46.00	20.38	2.13	7.75	39.75	22.75	12.63	3.75	39.25	22.25	12.88	4.00
25	80.00	57.00	65.00	76.00	55.00	AL	54.75	17.38	2.13	7.75	48.75	22.75	12.38	3.75	48.25	22.25	12.63	4.00
30	93.50	62.50	65.00	89.50	55.00	AL	54.75	20.38	7.63	7.75	51.50	23.25	9.63	3.75	51.00	22.75	9.88	4.00
35	100.00	75.00	70.75	96.00	60.75	AL	60.50	20.38	7.63	7.75	48.50	28.50	18.38	3.63	48.00	28.00	18.63	3.88
40	112.50	83.00	70.75	108.50	60.75	AL	60.50	20.38	7.63	7.75	51.00	31.38	15.88	3.63	50.50	30.88	16.13	3.88
50	125.50	72.00	79.25	121.50	69.25	AL	69.00	20.38	2.13	7.75	59.75	34.25	15.63	3.63	59.25	33.75	15.88	3.88
57	125.50	75.50	89.00	121.50	79.00	AL	60.50	20.38	7.63	7.75	68.75	34.25	16.38	3.63	68.25	33.75	16.63	3.88
66	140.50	83.00	92.50	136.50	82.50	AL	60.50	20.38	7.63	7.75	73.50	34.25	12.75	3.50	68.00	33.75	13.00	3.75
80	140.50	86.00	107.50	136.50	97.50	AL	60.50	20.38	7.63	7.75	88.00	34.25	13.25	3.50	87.50	33.75	13.50	3.75
100	154.50	93.00	119.75	150.50	109.75	AL	60.50	20.38	7.63	7.75	98.00	40.00	15.50	3.50	97.50	39.50	15.75	3.75
120	182.00	93.00	119.75	178.00	109.75	AL	60.50	20.38	7.63	7.75	99.00	45.75	14.50	3.50	98.50	45.25	14.75	3.75

45 degree diagonal economizer dimensions (inches)

Unit Size	Exhaust without dampers				Inlet Traq dampers				Inlet bladed dampers				Inlet without dampers				Base ²		
	EH	EW	D3	D4	DH	DW	D5	D6	DH	DW	D5	D6	DH	DW	D5	D6	E	E1	S ¹
3	11.75	14.50	15.63	4.88	16.13	16.13	5.50	12.50	15.50	17.00	5.13	13.13	13.00	14.50	6.38	14.38	6.00	8.00	1.00
4	11.75	14.50	15.63	4.88	17.88	34.63	3.50	10.88	16.75	22.75	9.50	11.88	14.25	20.25	10.75	13.13	6.00	8.00	1.00
6	16.25	14.50	17.38	4.88	18.13	34.63	3.88	16.75	21.75	22.75	9.75	13.13	19.25	20.25	11.00	14.38	6.00	8.00	1.00
8	20.75	14.50	15.38	4.88	18.13	34.63	3.75	19.25	27.25	22.75	9.75	10.13	24.75	20.25	11.00	11.38	6.00	8.00	1.00
10	20.75	16.88	15.38	4.88	21.75	41.25	3.63	15.63	26.50	28.50	10.13	10.88	24.00	26.00	11.38	12.13	6.00	8.00	1.00
12	27.50	16.88	12.38	4.88	21.75	41.25	3.63	19.38	32.00	28.50	10.13	9.25	29.50	26.00	11.38	10.50	6.00	8.00	1.00
14	23.75	20.25	16.13	4.88	21.75	41.25	7.13	19.38	29.00	34.25	10.75	12.00	26.50	31.75	12.00	13.25	6.00	8.00	1.00
17	31.00	20.25	16.38	4.88	36.25	37.13	6.00	12.50	35.00	34.25	7.00	13.50	32.50	31.75	8.25	14.75	6.00	8.00	1.00
21	37.25	20.25	13.88	5.00	24.75	50.75	3.63	27.63	43.00	34.25	12.00	9.50	40.50	31.75	13.25	10.75	6.00	8.00	1.00
25	46.25	20.25	13.63	5.00	43.13	42.75	6.13	18.13	51.00	34.25	10.50	10.13	48.50	31.75	11.75	11.38	6.00	8.00	1.00
30	49.00	20.75	10.88	5.00	51.63	50.75	3.63	9.63	50.00	40.00	9.13	11.13	47.50	37.50	10.38	12.38	6.00	8.00	1.00
35	46.00	26.00	19.63	4.88	57.25	61.75	4.50	9.63	51.00	45.75	9.38	15.88	48.50	43.25	10.63	17.13	6.00	8.00	1.00
40	48.50	28.88	17.13	4.88	34.50	70.50	3.75	32.00	51.00	51.50	13.88	14.38	48.50	49.00	15.13	15.63	6.00	8.00	1.00
50	57.25	31.75	16.88	4.88	63.75	60.75	3.75	11.50	60.75	51.50	8.38	14.63	58.25	49.00	9.63	15.88	6.00	8.00	1.00
57	66.25	31.75	17.63	4.88	63.75	64.25	3.75	21.25	70.50	51.50	11.38	14.63	68.00	49.00	12.63	15.88	6.00	8.00	1.00
66	71.00	31.75	14.00	4.75	72.50	71.50	4.00	13.25	72.50	62.75	9.75	12.50	70.00	60.25	11.00	13.75	6.00	8.00	1.00
80	85.50	31.75	14.50	4.75	72.50	74.00	4.00	28.25	86.00	62.75	9.75	14.00	83.50	60.25	11.00	15.25	6.00	8.00	1.00
100	95.50	37.50	16.75	4.75	100.25	74.00	5.50	12.75	98.25	68.50	9.75	14.00	95.75	66.00	11.00	15.25	6.00	8.00	1.00
120	96.50	43.25	15.75	4.75	100.25	74.00	5.50	12.75	98.00	80.00	3.75	14.25	95.50	77.50	5.00	15.50	6.00	8.00	1.00

Note: ¹Shipping split flange dimension is for shipping planning purposes only and does not add to installed overall unit length. ²Base line includes the height for standard 2.5-inch integral base frame on unit sizes 3-57 and 6-inch integral base frame on unit sizes 66-120. ³Outward swing door opening is (F-2.73)by(C-1.80).

Electric Heat

Figure 37. Electric Heat

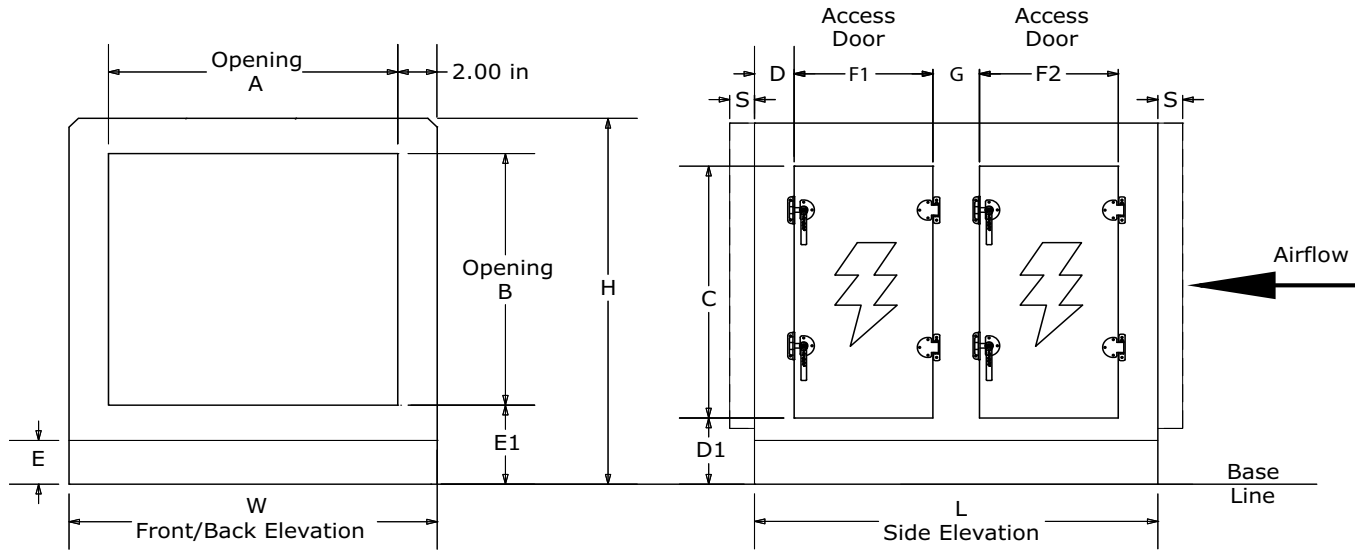


Table 48. Electric heat dimensions (inches)

Unit Size	W	L	H	A	B	C	D	D1	Base ²		F1	F2	G	Ship split S ¹
									E	E1				
3	31.50	36.00	29.00	27.50	22.50	22.25	12.00	4.25	2.50	4.50	22.00	n/a	n/a	1.00
4	44.00	41.00	29.00	40.00	22.50	22.25	12.00	4.25	2.50	4.50	26.75	n/a	n/a	1.00
6	44.00	41.00	35.25	40.00	28.75	28.50	12.00	4.25	2.50	4.50	26.75	n/a	n/a	1.00
8	50.50	44.00	37.75	46.50	31.25	31.00	12.00	4.25	2.50	4.50	26.75	n/a	n/a	1.00
10	61.50	42.50	37.75	57.50	31.25	31.00	12.00	4.25	2.50	4.50	26.75	n/a	n/a	1.00
12	66.50	42.50	41.50	62.50	35.00	34.75	12.00	4.25	2.50	4.50	26.75	n/a	n/a	1.00
14	72.00	42.50	41.50	68.00	35.00	34.75	12.00	4.25	2.50	4.50	29.00	n/a	n/a	1.00
17	72.00	44.00	49.00	68.00	42.50	42.25	12.00	4.25	2.50	4.50	29.00	n/a	n/a	1.00
21	80.00	50.25	52.75	76.00	46.25	46.00	12.00	4.25	2.50	4.50	31.00	n/a	n/a	1.00
25	80.00	46.00	61.50	76.00	55.00	54.75	12.00	4.25	2.50	4.50	31.00	n/a	n/a	1.00
30	93.50	56.50	61.50	89.50	55.00	54.75	12.00	4.25	2.50	4.50	18.75	18.75	4.25	1.00
35	100.00	63.75	67.25	96.00	60.75	60.50	12.00	4.25	2.50	4.50	22.38	22.38	4.25	1.00
40	112.50	63.75	67.25	108.50	60.75	60.50	12.00	4.25	2.50	4.50	22.38	22.38	4.25	1.00
50	125.50	68.50	75.75	121.50	69.25	69.00	12.63	4.25	2.50	4.50	23.38	23.38	4.25	1.00
57	125.50	48.00	85.50	121.50	79.00	78.75	12.13	4.25	2.50	4.50	31.00	n/a	n/a	1.00
66	140.50	49.00	92.50	136.50	82.50	82.25	12.00	7.75	6.00	8.00	31.00	n/a	n/a	1.00

Energy Wheels

Figure 38. Energy wheel sizes 4-21

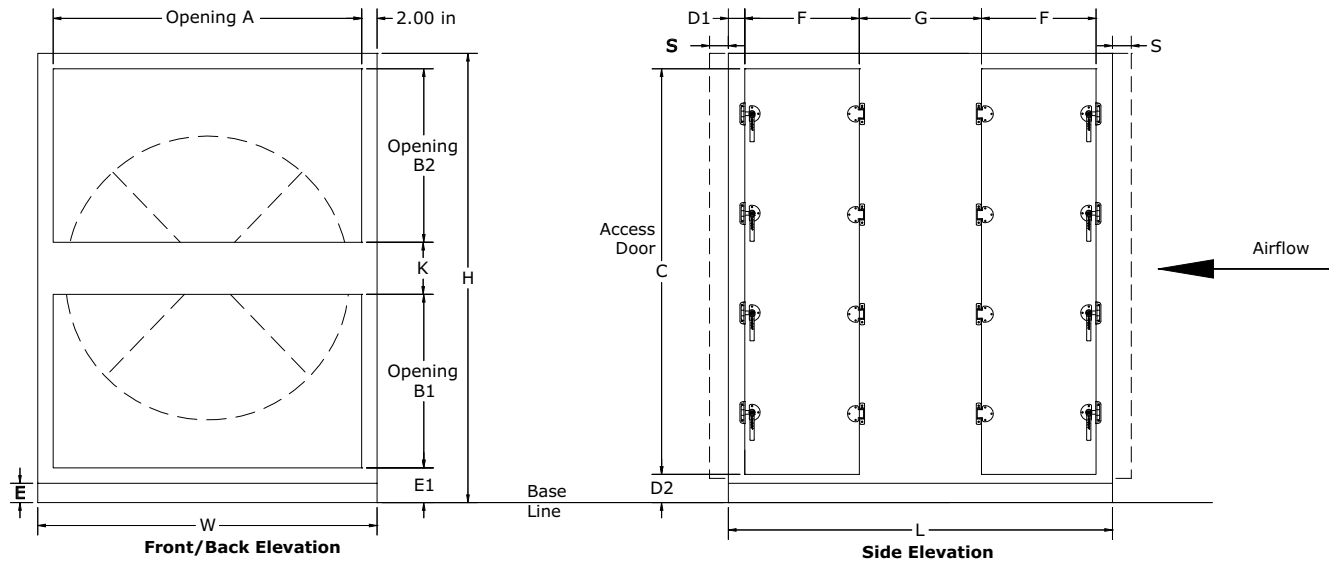
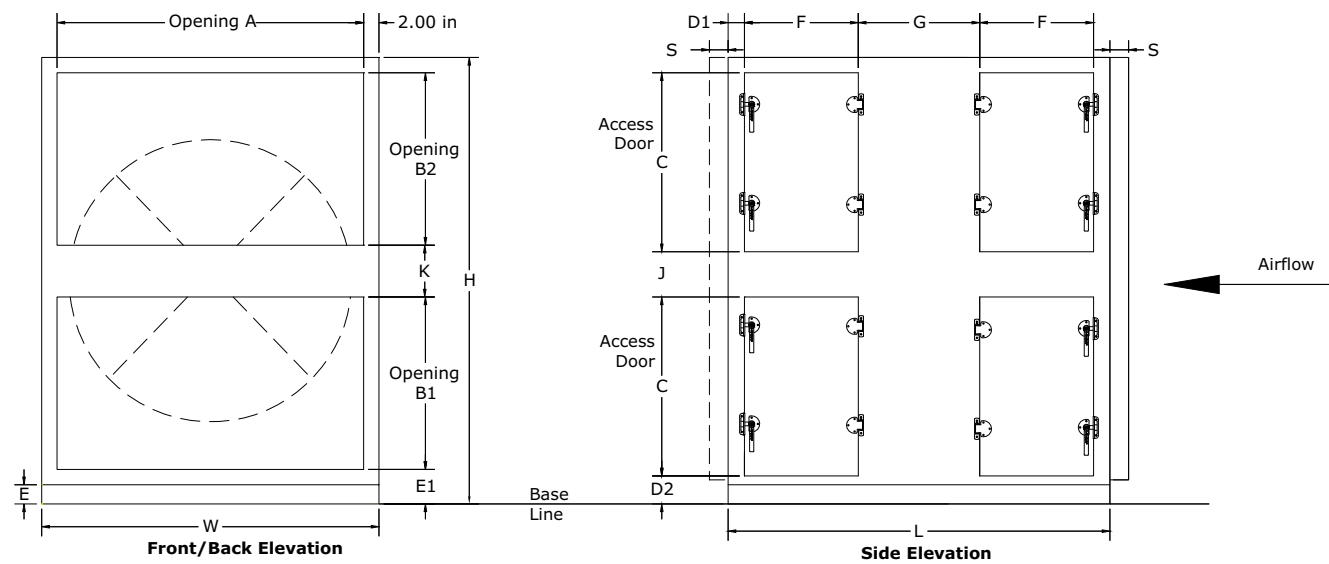


Figure 39. Energy wheel sizes 25-50





Dimensions

Table 49. Energy wheel dimensions (inches)

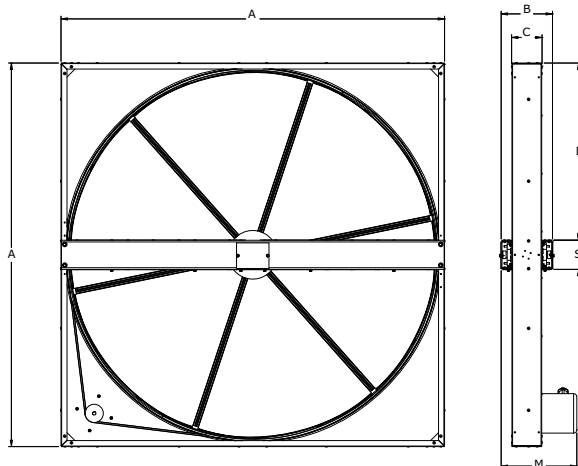
Unit Size	W	H	L	Front/Back Opening			Outward Door ⁴							Base ²			
				A	B1	B2	Hinge ³	C	D1	D2	F	G	J	K	E	E1	S ¹
4	44.00	58.25	52.25	40.00	22.50	22.50	AE	51.50	2.13	4.25	14.88	18.50	6.75	2.50	4.50	1.00	
6	44.00	70.75	52.25	40.00	28.75	28.75	AE	64.00	2.13	4.25	14.88	18.50	6.75	2.50	4.50	1.00	
8	50.50	75.75	52.25	46.50	31.25	31.25	AE	69.00	2.13	4.25	14.88	18.50	6.75	2.50	4.50	1.00	
10	61.50	75.75	54.40	57.50	31.25	31.25	AE	69.00	2.13	4.25	14.88	20.75	6.75	2.50	4.50	1.00	
12	66.50	83.25	57.50	62.50	35.00	35.00	AE	76.50	2.13	4.25	14.88	23.75	6.75	2.50	4.50	1.00	
14	72.00	83.25	57.50	68.00	35.00	35.00	AE	76.50	2.13	4.25	14.88	23.75	6.75	2.50	4.50	1.00	
17	72.00	98.25	57.50	68.00	42.50	42.50	AE	91.50	2.13	4.25	14.88	23.75	6.75	2.50	4.50	1.00	
21	80.00	105.75	55.50	76.00	46.25	46.25	AE	99.00	2.13	4.25	14.88	21.75	6.75	2.50	4.50	1.00	
25	80.00	123.25	55.50	76.00	55.00	55.00	AE	54.75	2.13	4.25	14.88	21.75	7.13	6.75	2.50	4.50	1.00
30	93.50	123.25	57.50	89.50	55.00	55.00	AE	54.75	2.13	4.25	14.88	23.75	7.13	6.75	2.50	4.50	1.00
Unit Size	W	H	L	Front/Back Opening			Outward Door ⁴							Base ²			
A	B1	B2	Hinge ³	C	D1	D2	F	G	J	K	E	E1	S ¹				
35	100.00	134.75	61.25	96.00	60.75	60.75	AE	60.50	2.13	4.25	14.88	27.50	7.13	6.75	2.50	4.50	1.00
40	112.50	134.75	64.75	108.50	60.75	60.75	AE	60.50	2.13	4.25	14.88	31.00	7.13	6.75	2.50	4.50	1.00
50	125.50	151.75	64.75	121.50	69.25	69.25	AE	69.00	2.13	4.25	14.88	31.00	7.13	6.75	2.50	4.50	1.00

Note: ¹Shipping split flange dimension is for shipping planning purposes only and does not add to installed overall unit length. ²Base line includes the height for standard 2.5-inch integral base frame on unit sizes 3-57 and 6-inch integral base frame on unit sizes 66-120. ³Hinged on air-entering (AE) side or air-leaving (AL) side. ⁴Outward swing door opening is (F-2.73)by(C-1.80).

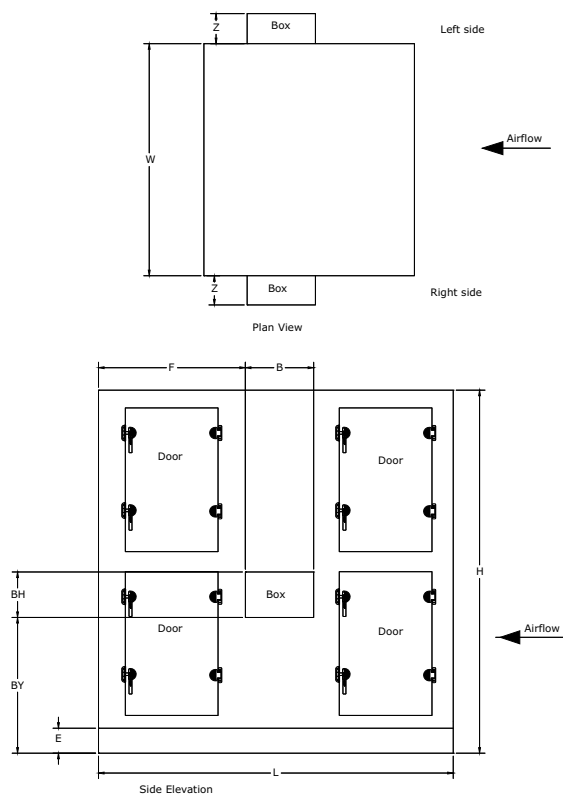
Table 50. Energy wheel availability

Unit Size	Wheel Size								
	One Bypass Damper ¹	Two Bypass Dampers							
4	2200	1500	900						
6		2200	1500	900					
8		3000	2200	1500					
10	5000	4000	3000	2200					
12	6000	5000	4000	3000	2200				
14	7000	6000	5000	4000	3000	2200			
17		7000	6000	5000	4000	3000			
21		8500	7000	6000	5000	4000	3000		
25		8500	7000	6000	5000	4000			
30		12,500	10,500	8500	7000	6000	5000	4000	
35	17,500	15,000	12,500	10,500	8500	7000	6000	5000	
40	20,000	17,500	15,000	12,500	10,500	8500	7000	6000	5000
50	25,000	20,000	17,500	15,000	12,500	10,500	8500	7000	

Note: ¹Wheel option is not available at the unit nominal air flow for unit sizes 3,6,8,17,21,25 and 30.

Figure 40. Energy wheel cassette

Table 51. Energy wheel cassette dimensions (inches)

Unit sizes	CFM	A	B	C	D	S	M
4, 6	900	29.00	5.57	2.49	13.48	2.04	6.67
4, 6, 8	1500	34.00	5.57	2.49	15.98	2.04	6.67
6, 8, 10, 12, 14	2200	39.80	7.44	4.36	18.49	2.82	10.82
8, 10, 12, 14, 17, 21	3000	44.00	7.52	4.36	19.87	4.27	11.08
10, 12, 14, 17, 21, 25, 30	4000	50.00	7.52	4.36	22.87	4.27	11.08
10, 12, 14, 17, 21, 25, 30, 35	5000	56.20	7.62	4.46	25.96	4.27	11.08
12, 14, 17, 21, 25, 30, 35, 40	6000	62.40	10.17	6.07	28.71	5.00	15.36
14, 17, 21, 25, 30, 35, 40, 50	7000	68.00	10.17	6.07	31.50	5.00	15.36
21, 25, 30, 35, 40, 50	8500	72.00	11.17	7.07	33.00	6.00	15.86
30, 35, 40, 50	10,500	78.00	11.17	7.07	36.00	6.00	15.86
30, 35, 40, 50	12,500	85.00	13.17	7.07	39.00	7.00	16.86
35, 40, 50	15,000	91.00	16.10	10.00	42.00	7.00	18.33
35, 40, 50	17,500	96.00	16.10	10.00	44.50	7.00	18.33
40, 50	20,000	108.00	20.60	14.00	50.00	8.00	20.70
50	25,000	115.00	20.60	14.00	53.50	8.00	22.70

Figure 41. Energy wheel external junction box and starter enclosure




Dimensions

Table 52. Energy wheel external junction box dimensions (inches)

Unit size	W	H	L	E	Height	Width	Depth	Edge width	Edge height
					BH	B	Z	F	BY
4	44.00	58.25	52.25	2.50	4.25	4.25	3.25	19.38	20.50
6	44.00	70.75	52.25	2.50	4.25	4.25	3.25	19.38	20.50
8	50.50	75.75	52.25	2.50	4.25	4.25	3.25	19.38	20.50
10	61.50	75.75	52.25	2.50	4.25	4.25	3.25	19.38	20.50
12	66.50	83.25	57.50	2.50	4.25	4.25	3.25	19.38	20.50
14	72.00	83.25	57.50	2.50	4.25	4.25	3.25	19.38	20.50
17	72.00	98.25	57.50	2.50	4.25	4.25	3.25	19.38	39.63
21	80.00	105.75	55.50	2.50	4.25	4.25	3.25	19.38	39.63
25	80.00	123.25	55.50	2.50	4.25	4.25	3.25	19.38	39.63
30	93.50	123.25	57.50	2.50	4.25	4.25	3.25	19.38	39.63
35	100.00	134.75	61.25	2.50	4.25	4.25	3.25	19.38	39.63
40	112.50	134.75	64.75	2.50	4.25	4.25	3.25	19.38	39.63
50	125.50	151.75	64.75	2.50	4.25	4.25	3.25	19.38	39.63

Table 53. Energy wheel starter enclosure dimensions (inches)

Unit size	W	H	L	E	Height	Width	Depth	Edge width	Edge height
					BH	B	Z	F	BY
4	44.00	58.25	52.25	2.50	14.25	11.50	6.00	19.38	17.75
6	44.00	70.75	52.25	2.50	14.25	11.50	6.00	19.38	17.75
8	50.50	75.75	52.25	2.50	14.25	11.50	6.00	19.38	17.75
10	61.50	75.75	52.25	2.50	14.25	11.50	6.00	19.38	17.75
12	66.50	83.25	57.50	2.50	14.25	11.50	6.00	19.38	17.75
14	72.00	83.25	57.50	2.50	14.25	11.50	6.00	19.38	17.75
17	72.00	98.25	57.50	2.50	14.25	11.50	6.00	19.38	36.88
21	80.00	105.75	55.50	2.50	14.25	11.50	6.00	19.38	36.88
25	80.00	123.25	55.50	2.50	14.25	11.50	6.00	19.38	36.88
30	93.50	123.25	57.50	2.50	14.25	11.50	6.00	19.38	36.88
35	100.00	134.75	61.25	2.50	14.25	11.50	6.00	19.38	36.88
40	112.50	134.75	64.75	2.50	14.25	11.50	6.00	19.38	36.88
50	125.50	151.75	64.75	2.50	14.25	11.50	6.00	19.38	36.88

Exhaust Damper Section for Outdoor Units

Figure 42. Exhaust damper section for outdoor units

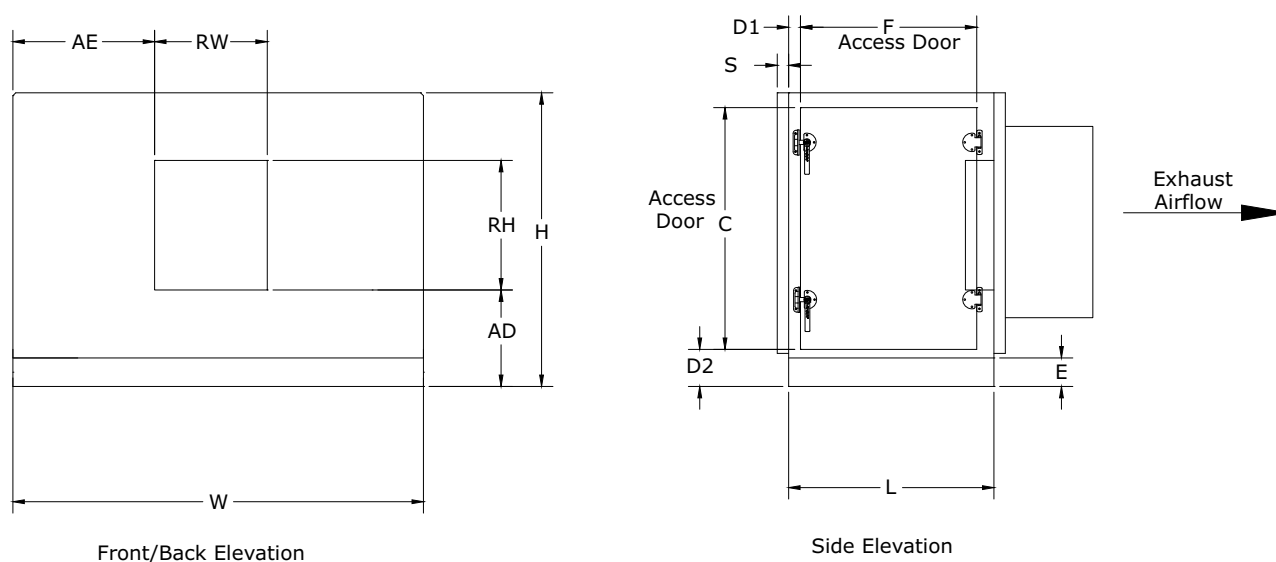


Table 54. Exhaust damper section for outdoor units dimensions (inches)

Unit Size	Ext W	Ext L	Ext H	Door					Exhaust Damper Location			
				C	F	D1	D2	E	RH	RW	AD	AE
3	31.50	19.00	29.00	22.25	14.00	2.13	4.25	2.50	14.25	17.00	8.00	7.25
4	44.00	19.00	29.00	22.25	14.00	2.13	4.25	2.50	14.25	17.00	6.13	13.50
6	44.00	19.00	35.25	28.50	14.00	2.13	4.25	2.50	18.75	17.00	7.50	13.50
8	50.50	19.00	37.75	31.00	14.00	2.13	4.25	2.50	23.25	17.00	9.25	16.75
10	61.50	19.00	37.75	31.00	14.00	2.13	4.25	2.50	23.25	19.38	6.00	21.06
12	66.50	19.00	41.50	34.75	14.00	2.13	4.25	2.50	30.00	19.38	7.63	23.56
14	72.00	19.00	41.50	34.75	14.00	2.13	4.25	2.50	26.25	22.75	9.50	24.63
17	72.00	19.00	49.00	42.25	14.00	2.13	4.25	2.50	33.50	22.75	10.50	24.63
21	80.00	19.00	52.75	46.00	14.00	2.13	4.25	2.50	39.75	22.75	9.25	28.63
25	80.00	19.00	61.50	54.75	14.00	2.13	4.25	2.50	48.75	22.75	7.88	28.63
30	93.50	19.00	61.50	54.75	14.00	2.13	4.25	2.50	51.50	23.25	6.13	35.13
35	100.00	24.50	67.25	60.50	17.38	2.13	4.13	2.50	48.50	28.50	8.75	35.75
40	112.50	24.50	67.25	60.50	17.38	2.13	4.13	2.50	51.00	31.38	8.75	40.56
50	125.50	24.50	75.75	69.00	17.38	2.13	4.13	2.50	59.75	34.25	8.75	45.63
57	125.50	22.44	85.50	60.50	17.38	2.13	4.13	2.50	68.75	34.25	8.75	45.63
66	140.50	22.44	92.50	60.50	17.38	2.13	7.63	6.00	73.75	34.25	9.25	53.13
80	140.50	22.44	107.50	60.50	17.38	2.13	7.63	6.00	88.00	34.25	9.75	53.13
100	154.50	22.44	119.75	60.50	17.38	2.13	7.63	6.00	98.00	40.00	12.00	57.25
120	182.00	22.44	119.75	60.50	17.38	2.13	7.63	6.00	99.00	45.75	11.00	68.13

Note: This exhaust damper is only used for outdoor Performance Climate Changer air handlers. On the first level the base height will be 6 inches, on the second level it will be 2.5 inches.

Fans/Motors

Starter/VFD Weights

Fan weight does not include starter/VFD weight. See [Table 55](#) for approximate starter/VFD weight.

Table 55. Approximate starter and VFD weights per horsepower (lbs.)

Horsepower	1	1 1/2	2	3	5	7 1/2	10	15	20	25	30	40	50	60	75	100	125
Starter ¹	65	65	65	65	65	65	65	65	65	97	97	97	97	97	97	97	97
VFD ²	123	123	132	124	125	136	151	162	177	197	241	325	332	243	258	294	314

Note: ¹These weights represent the largest available starter. ²VFD weights include transformer, distribution block, and enclosure.

Motor Weights

Fan weights provided in this manual include the heaviest ODP (open drip-proof) motor.

Table 56. Approximate motor weights (pounds)

Motor Type	Motor RPM	Horsepower																	
		3/4	1	1-1/2	2	3	5	7-1/2	10	15	20	25	30	40	50	60	75	100	125
Energy efficient ODP (EEOP)	1800	24	29																
NEMA Premium ODP (HEOP)	1200		39	77	91	147	126	249	300	375	443	594	667						
NEMA Premium TEFC (HETC)			56	96	109	148	185	310	341	423	481	614	655						
NEMA Premium ODP (HEOP)	1800		36	42	47	76	82	118	148	234	263	330	379	488	521	698	808	1114	1238
NEMA Premium TEFC (HETC)				47	54	56	91	108	159	185	285	315	452	481	578	670	808	889	1239
NEMA Premium ODP (HEOP)	3600		36	36	37	89	104	173	203	267	243	261	407						
NEMA Premium TEFC (HETC)				36	53	62	85	103	154	176	287	322	448	496					

Fans

Figure 43. Fan access doors

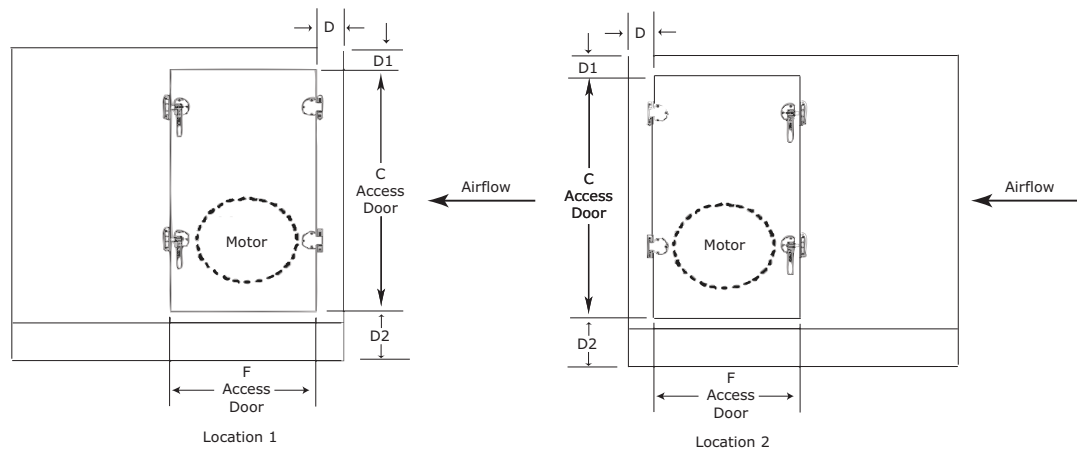
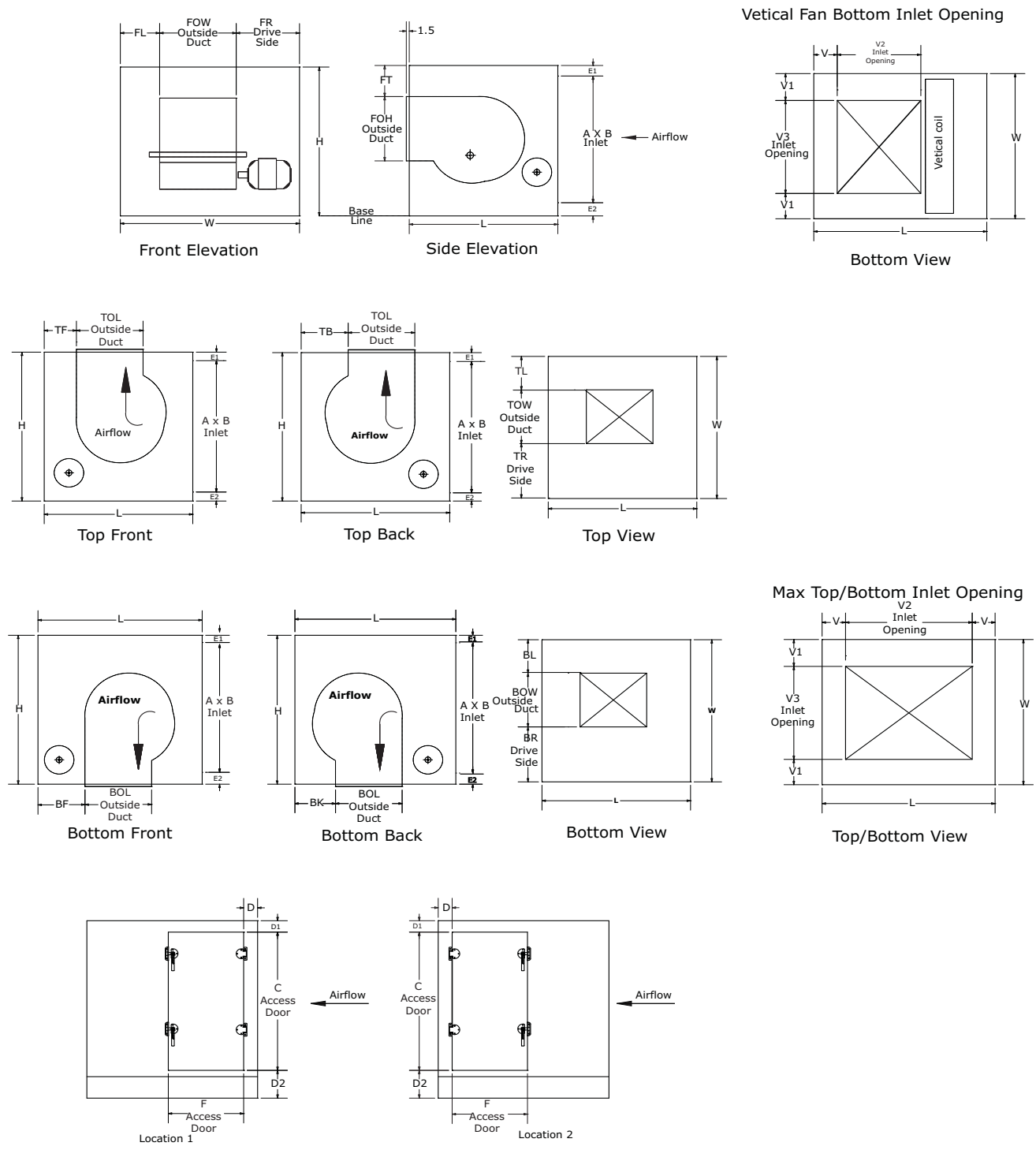


Table 57. Fan type, orientation and door locations

Unit Size	Fan Type	Fan Orientation	Access Door Location
3-8	Housed Fan	FFTP, TPFT, BTFT, FTBT	Location 1
		TPBK, BTBK	Location 2
10-120	Housed Fan	FFTP, TPBK, BTBK, FTBT TPFT, BTFT	Location 1 Location 2
3-120	Belt-drive plenum fan	All	Location 2
3-58	Direct-drive plenum fan	All	Location 2

Housed Fans

Figure 44. Housed fans





Dimensions

Table 58. Housed fan - full face inlet and door dimensions (inches)

Unit Fan size	Fan size	Full-face inlet dimensions			Access door dimensions						Internal high voltage Enclosure Door				Disconnect height			
		W	L	H	A	B	E1	E2	C	F	D	D1	D2	P		P1	P2	P3
3	All	31.50	36.00	29.00	27.50	22.50	2.00	4.50	22.25	13.75	3.13	2.63	4.25	n/a	n/a	n/a	n/a	n/a
4	All	44.00	41.00	29.00	40.00	22.50	2.00	4.50	22.25	18.75	3.13	2.63	4.25	n/a	n/a	n/a	n/a	n/a
6	All	44.00	41.00	35.25	40.00	28.75	2.00	4.50	28.50	16.75	3.13	2.63	4.25	n/a	n/a	n/a	n/a	n/a
8	All	50.50	44.00	37.75	46.50	31.25	2.00	4.50	31.00	18.75	3.13	2.63	4.25	n/a	n/a	n/a	n/a	n/a
10	All	61.50	42.50	37.75	57.50	31.25	2.00	4.50	31.00	17.25	3.13	2.63	4.25	n/a	n/a	n/a	n/a	n/a
12	All	66.50	42.50	41.50	62.50	35.00	2.00	4.50	34.75	17.25	3.13	2.63	4.25	n/a	n/a	n/a	n/a	n/a
14	All	72.00	42.50	41.50	68.00	35.00	2.00	4.50	34.75	17.25	3.13	2.63	4.25	n/a	n/a	n/a	n/a	n/a
17	All	72.00	44.00	49.00	68.00	42.50	2.00	4.50	42.25	17.75	3.13	2.63	4.25	n/a	n/a	n/a	n/a	n/a
21	All	80.00	50.25	52.75	76.00	46.25	2.00	4.50	46.00	22.00	3.13	2.63	4.25	n/a	n/a	n/a	n/a	n/a
22	All	61.50	69.00	67.25	57.50	60.75	2.00	4.50	60.50	22.00	7.88	2.63	4.25	n/a	n/a	n/a	n/a	n/a
25	All	80.00	56.50	61.50	76.00	55.00	2.00	4.50	54.75	26.75	3.13	2.63	4.25	n/a	n/a	n/a	n/a	n/a
26	All	61.50	69.00	85.50	57.50	79.00	2.00	4.50	60.50	26.75	7.88	20.88	4.25	n/a	n/a	n/a	n/a	n/a
30	All	93.50	56.50	61.50	89.50	55.00	2.00	4.50	54.75	26.75	3.13	2.63	4.25	n/a	n/a	n/a	n/a	n/a
31	All	72.00	73.25	85.50	68.00	79.00	2.00	4.50	60.50	26.75	7.88	20.88	4.25	n/a	n/a	n/a	n/a	n/a
35	All	100.00	63.75	67.25	96.00	60.75	2.00	4.50	60.50	22.00	7.88	2.63	4.25	5.38	3.00	17.38	4.13	46.25
36	All	80.00	80.50	89.00	76.00	82.50	2.00	4.50	60.50	29.00	7.88	24.38	4.25	n/a	n/a	n/a	n/a	n/a
40	All	112.50	63.75	67.25	108.50	60.75	2.00	4.50	60.50	22.00	7.88	2.63	4.25	5.38	3.00	17.38	4.13	46.25
41	All	80.00	80.50	104.00	76.00	97.50	2.00	4.50	60.50	29.00	7.88	39.38	4.25	n/a	n/a	n/a	n/a	n/a
50	All	125.50	68.50	75.75	121.50	69.25	2.00	4.50	69.00	26.75	7.88	2.63	4.25	5.38	3.00	17.38	4.13	46.25
51	All	93.50	88.00	104.00	89.50	97.50	2.00	4.50	60.50	29.00	7.88	39.38	4.25	n/a	n/a	n/a	n/a	n/a
57	All	125.50	68.50	85.50	121.50	79.00	2.00	4.50	60.50	26.75	7.88	20.88	4.25	5.38	3.00	17.38	4.13	46.25
58	All	93.50	88.00	116.25	89.50	109.75	2.00	4.50	60.50	32.75	7.88	51.63	4.25	n/a	n/a	n/a	n/a	n/a
66	All	140.50	84.00	92.50	136.50	82.50	2.00	8.00	60.50	29.00	7.88	24.38	7.75	5.38	3.00	17.38	5.13	46.25
80	All	140.50	92.00	107.50	136.50	97.50	2.00	8.00	60.50	29.00	7.88	39.38	7.75	5.38	3.00	17.38	5.13	46.25
100	All	154.50	96.00	119.75	150.50	109.75	2.00	8.00	60.50	32.75	7.88	51.63	7.75	5.38	3.00	17.38	5.13	46.25
120	All	182.00	96.00	119.75	178.00	109.75	2.00	8.00	60.50	32.75	7.88	51.63	7.75	5.38	3.00	17.38	5.13	46.25

Table 59. Housed fan - FTTP/BKTP and TPFT/TPBK discharge opening dimensions (inches) for unit sizes 3-31

Unit Size	Fan Size	FTTP/BKTP Discharge Opening					TPFT/TPBK Discharge Opening					
		FT	FR	FL	FOH	FOW	TF	TB	TR	TL	TOL	TOW
3	9 FC, BC	6.13	10.00	10.00	10.38	11.75	5.38	20.25	9.88	9.88	10.50	12.00
	9-6 FC	6.13	11.63	11.63	10.38	8.38	5.38	20.25	11.63	11.63	10.50	8.50
	9-4 FC	6.13	12.38	12.38	10.38	6.88	5.38	20.25	12.38	12.38	10.50	7.00
4	10 FC, BC	4.25	15.50	15.50	11.38	13.13	5.63	24.00	15.50	15.50	11.63	13.25
	9 FC, BC	6.13	16.25	16.25	10.38	11.75	5.63	25.13	16.13	16.13	10.50	12.00
	9-6 FC	6.13	17.88	17.88	10.38	8.38	5.63	25.13	17.88	17.88	10.50	8.50
6	12 FC, AF	6.88	14.25	14.25	13.50	15.63	5.50	22.13	14.25	14.25	13.63	15.75
	10 FC, BC	10.00	15.50	15.50	11.38	13.13	5.63	24.00	15.50	15.50	11.63	13.25
	9 FC, BC	11.88	16.25	16.25	10.38	11.75	5.63	25.13	16.13	16.13	10.50	12.00
8	12 FC, AF	9.38	17.50	17.50	13.50	15.63	5.50	25.13	17.50	17.50	13.63	15.75
	10 FC, BC	12.50	18.75	18.75	11.38	13.13	5.63	27.00	18.75	18.75	11.63	13.25
	9 FC, BC	14.38	19.50	19.50	10.38	11.75	5.63	28.13	19.38	19.38	10.50	12.00
10	15 FC, AF	5.13	33.50	9.50	15.88	18.63	14.00	12.63	33.50	9.50	16.13	18.75
	12 FC, AF	8.88	33.50	12.50	13.50	15.63	17.75	11.25	33.50	12.50	13.63	15.75
	10 FC, BC	12.00	33.88	14.75	11.38	13.13	20.88	10.25	33.75	14.75	11.63	13.25

Table 59. Housed fan - FTTP/BKTP and TPFT/TPBK discharge opening dimensions (inches) for unit sizes 3-31

Unit Size	Fan Size	FTTP/BKTP Discharge Opening					TPFT/TPBK Discharge Opening					
		FT	FR	FL	FOH	FOW	TF	TB	TR	TL	TOL	TOW
12	18 FC, AF	3.88	33.63	11.00	18.88	22.00	9.00	14.63	33.50	11.00	19.00	22.13
	15 FC, AF	8.88	33.63	14.50	15.88	18.63	14.00	12.63	33.50	14.38	16.13	18.75
	12 FC, AF	12.63	33.63	17.50	13.50	15.63	17.75	11.25	33.50	17.38	13.63	15.75
14	18 FC, AF	3.88	35.00	15.25	18.88	22.00	9.00	14.63	34.88	15.13	19.00	22.13
	15 FC, AF	8.88	35.00	18.63	15.88	18.63	14.00	12.63	34.88	18.63	16.13	18.75
	12 FC, AF	12.63	35.00	21.63	13.50	15.63	17.75	11.25	34.88	21.50	13.63	15.75
17	20 FC, AF	4.88	35.00	12.00	25.13	25.13	4.50	14.38	34.88	12.00	25.38	25.38
	18 FC, AF	11.38	35.00	15.25	18.88	22.00	10.50	14.63	34.88	15.13	19.00	22.13
	15 FC, AF	16.38	35.00	18.63	15.88	18.63	15.50	12.63	34.88	18.63	16.13	18.75
21	22 FC, AF	3.38	38.88	13.00	28.25	28.25	7.25	14.88	38.88	13.00	28.38	28.38
	20 FC, AF	7.75	38.88	16.13	25.13	25.13	11.38	13.75	38.88	16.00	25.38	25.38
	18 FC, AF	14.25	38.88	19.25	18.88	22.00	16.75	14.63	38.88	19.25	19.00	22.13
22	22 FC, AF	18.66	16.68	16.68	28.15	28.15	n/a	n/a	n/a	n/a	n/a	n/a
	20 FC, AF	23.01	18.19	18.19	25.12	25.12	n/a	n/a	n/a	n/a	n/a	n/a
	18 FC, AF	29.54	19.79	19.79	18.78	21.93	n/a	n/a	n/a	n/a	n/a	n/a
25	22 FC, AF	12.13	38.88	13.00	28.25	28.25	13.50	14.88	38.88	13.00	28.38	28.38
	20 FC, AF	16.50	38.88	16.13	25.13	25.13	17.63	13.75	38.88	16.00	25.38	25.38
	18 FC, AF	23.00	38.88	19.25	18.88	22.00	23.00	14.63	38.88	19.25	19.00	22.13
26	22 FC, AF	36.91	16.68	16.68	28.15	28.15	n/a	n/a	n/a	n/a	n/a	n/a
	20 FC, AF	41.26	18.19	18.19	25.12	25.12	n/a	n/a	n/a	n/a	n/a	n/a
	18 FC, AF	47.79	19.79	19.79	18.78	21.93	n/a	n/a	n/a	n/a	n/a	n/a
30	25 FC, AF	7.13	47.50	14.50	31.63	31.63	8.38	16.50	47.50	14.50	31.75	31.75
	22 FC, AF	12.13	47.50	17.88	28.25	28.25	13.50	14.88	47.50	17.88	28.38	28.38
	20 FC, AF	16.50	47.50	21.00	25.13	25.13	17.63	13.75	47.50	20.88	25.38	25.38
31	25 FC, AF	29.17	20.23	20.23	31.54	31.54	n/a	n/a	n/a	n/a	n/a	n/a
	22 FC, AF	36.91	21.93	21.93	28.15	28.15	n/a	n/a	n/a	n/a	n/a	n/a
	20 FC, AF	41.26	23.44	23.44	25.12	25.12	n/a	n/a	n/a	n/a	n/a	n/a

Table 60. Housed fan - FTTP/BKTP and TPFT/TPBK discharge opening dimensions (inches) for unit sizes 35-120

Unit size	Fan size	FTTP/BKTP Discharge Opening					TPFT/TPBK Discharge Opening					
		FT	FR	FL	FOH	FOW	TF	TB	TR	TL	TOL	TOW
35	25 FC, AF	8.80	46.19	22.03	31.79	31.79	13.09	18.88	46.19	22.03	31.79	31.79
	22 FC, AF	13.80	46.19	25.42	28.40	28.40	18.09	17.27	46.19	25.42	28.40	28.40
	20 FC, AF	18.15	46.19	28.45	25.37	25.37	22.44	15.95	46.19	28.45	25.37	25.37
36	25 FC, AF	32.67	24.23	24.23	31.54	31.54	n/a	n/a	n/a	n/a	n/a	n/a
	22 FC, AF	40.41	25.93	25.93	28.15	28.15	n/a	n/a	n/a	n/a	n/a	n/a
	20 FC, AF	44.76	27.44	27.44	25.12	25.12	n/a	n/a	n/a	n/a	n/a	n/a
40	28 FC, AF	5.03	46.19	30.72	35.60	35.60	7.09	21.07	46.19	30.72	35.60	35.60
	25 FC, AF	8.80	46.19	34.53	31.79	31.79	13.09	18.88	46.19	34.53	31.79	31.79
	22 FC, AF	13.80	46.19	37.92	28.40	28.40	18.09	17.27	46.19	37.92	28.40	28.40
41	28 FC, AF	41.90	22.33	22.33	35.35	35.35	n/a	n/a	n/a	n/a	n/a	n/a
	25 FC, AF	47.67	24.23	24.23	31.54	31.54	n/a	n/a	n/a	n/a	n/a	n/a
	22 FC, AF	55.41	25.93	25.93	28.15	28.15	n/a	n/a	n/a	n/a	n/a	n/a
50	32 FC, AF	5.09	50.61	35.00	39.90	39.90	5.49	23.12	50.61	35.00	39.90	39.90
	28 FC, AF	11.53	50.61	39.30	35.60	35.60	12.07	20.84	50.61	39.30	35.60	35.60
	25 FC, AF	17.30	50.61	43.11	31.79	31.79	17.99	18.73	50.61	43.11	31.79	31.79



Dimensions

Table 60. Housed fan - FFTP/BKTP and TPFT/TPBK discharge opening dimensions (inches) for unit sizes 35-120

Unit size	Fan size	FFTP/BKTP Discharge Opening					TPFT/TPBK Discharge Opening					
		FT	FR	FL	FOH	FOW	TF	TB	TR	TL	TOL	TOW
51	32 FC, AF	35.46	26.93	26.93	39.65	39.65	n/a	n/a	n/a	n/a	n/a	n/a
	28 FC, AF	41.90	29.08	29.08	35.35	35.35	n/a	n/a	n/a	n/a	n/a	n/a
	25 FC, AF	47.67	30.98	30.98	31.54	31.54	n/a	n/a	n/a	n/a	n/a	n/a
57	32 FC, AF	14.84	50.61	35.00	39.90	39.90	5.49	23.12	50.61	35.00	39.90	39.90
	28 FC, AF	21.28	50.61	39.29	35.60	35.60	12.07	20.84	50.61	39.30	35.60	35.60
	25 FC, AF	27.05	50.61	43.11	31.79	31.79	18.00	18.73	50.61	43.11	31.79	31.79
58	32 FC, AF	47.71	26.93	26.93	39.65	39.65	n/a	n/a	n/a	n/a	n/a	n/a
	28 FC, AF	54.15	29.08	29.08	35.35	35.35	n/a	n/a	n/a	n/a	n/a	n/a
	25 FC, AF	59.92	30.98	30.98	31.54	31.54	n/a	n/a	n/a	n/a	n/a	n/a
66	36 FC, AF	10.74	57.57	38.20	44.74	44.74	14.01	25.25	57.57	38.20	44.74	44.74
	32 FC, AF	17.84	57.57	43.04	39.90	39.90	21.11	22.99	57.57	43.04	39.90	39.90
	28 FC, AF	24.28	57.58	47.33	35.60	35.60	27.42	20.99	57.57	47.33	35.60	35.60
80	40 FC, AF	19.38	57.57	32.81	50.13	50.13	15.65	26.21	57.57	32.81	50.13	50.13
	36 FC, AF	25.74	57.57	38.20	44.74	44.74	22.01	25.25	57.57	38.20	44.74	44.74
	32 FC, AF	32.84	57.57	43.04	39.90	39.90	29.11	22.99	57.57	43.04	39.90	39.90
100	40 FC, AF	31.63	60.32	44.06	50.13	50.13	19.65	26.21	62.86	41.52	50.13	50.13
	36 FC, AF	37.99	60.32	49.45	44.74	44.74	26.02	25.24	62.86	46.91	44.74	44.74
	32 FC, AF	45.09	60.32	54.29	39.90	39.90	33.11	22.99	62.86	51.75	39.90	39.90
	44 AF	22.20	62.79	35.61	56.11	56.11	12.39	27.50	62.78	35.61	56.11	56.11
120	40 FC, AF	31.63	70.57	61.31	50.13	50.13	19.65	26.21	73.11	58.77	50.13	50.13
	36 FC, AF	37.99	70.57	66.70	44.74	44.74	26.02	25.24	73.11	64.16	44.74	44.74
	32 FC	45.09	70.57	71.54	39.90	39.90	33.11	22.99	73.11	69.00	39.90	39.90
	49 AF	12.87	73.04	46.13	62.84	62.84	5.25	29.66	73.03	46.13	62.84	62.84
	44 AF	22.20	73.04	52.86	56.11	56.11	12.39	27.50	73.03	52.86	56.11	56.11

Table 61. Housed fan - BTFT/BTBK and FTBT/BKBT discharge openings dimensions (inches) for unit sizes 3-120

Unit Size	Housed Fan Size	BTFT/BTBK Discharge Opening						FTBT/BKBT Discharge Opening				
		BF	BK	BR	BL	BOL	BOW	FB	FR	FL	FOH	FOW
3	9 FC, BC	4.88	19.88	9.38	9.38	11.50	12.88	10.38	10.00	10.00	10.38	11.75
	9-6 FC	4.88	19.88	11.13	11.13	11.50	9.38	10.38	11.63	11.63	10.38	8.38
	9-4 FC	4.88	19.88	11.88	11.88	11.50	8.00	10.38	12.38	12.38	10.38	6.88
4	10 FC, BC	5.13	23.63	15.00	15.00	12.50	14.13	9.38	15.50	15.50	11.38	13.13
	9 FC, BC	5.13	24.63	15.63	15.63	11.50	12.88	10.38	16.25	16.25	10.38	11.75
	9-6 FC	5.13	24.63	17.38	17.38	11.50	9.38	10.38	17.88	17.88	10.38	8.38
6	12 FC, AF	5.00	21.63	13.75	13.75	14.63	16.75	13.13	14.25	14.25	13.50	15.63
	10 FC, BC	5.13	23.63	15.00	15.00	12.50	14.13	15.13	15.50	15.50	11.38	13.13
	9 FC, BC	5.13	24.63	15.63	15.63	11.50	12.88	16.13	16.25	16.25	10.38	11.75
8	12 FC, AF	5.00	24.63	17.00	17.00	14.63	16.75	15.63	17.50	17.50	13.50	15.63
	10 FC, BC	5.13	26.63	18.25	18.25	12.50	14.13	17.63	18.75	18.75	11.38	13.13
	9 FC, BC	5.13	27.63	18.88	18.88	11.50	12.88	18.63	19.50	19.50	10.38	11.75
10	15 FC, AF	13.50	12.13	33.00	9.00	17.00	19.75	12.63	33.50	9.50	15.88	18.63
	12 FC, AF	17.25	10.75	33.00	12.00	14.63	16.75	15.13	33.50	12.50	13.50	15.63
	10 FC, BC	20.38	9.75	33.25	14.25	12.50	14.13	17.13	33.88	14.75	11.38	13.13
12	18 FC, AF	8.63	14.13	33.13	10.50	19.88	23.13	13.50	33.63	11.00	18.88	22.00
	15 FC, AF	13.50	12.13	33.13	13.88	17.00	19.75	16.38	33.63	14.50	15.88	18.63
	12 FC, AF	17.25	10.75	33.13	16.88	14.63	16.75	18.88	33.63	17.50	13.50	15.63

Table 61. Housed fan - BTFT/BTBK and FTBT/BKBT discharge openings dimensions (inches) for unit sizes 3-120

Unit Size	Housed Fan Size	BTFT/BTBK Discharge Opening						FTBT/BKBT Discharge Opening				
		BF	BK	BR	BL	BOL	BOW	FB	FR	FL	FOH	FOW
14	18 FC, AF	8.63	14.13	34.38	14.75	19.88	23.13	13.50	35.00	15.25	18.88	22.00
	15 FC, AF	13.50	12.13	34.38	18.13	17.00	19.75	16.38	35.00	18.63	15.88	18.63
	12 FC, AF	17.25	10.75	34.38	21.13	14.63	16.75	18.88	35.00	21.63	13.50	15.63
17	20 FC, AF	7.50	10.50	34.38	11.50	26.25	26.25	15.25	35.00	12.00	25.13	25.13
	18 FC, AF	10.13	14.13	34.38	14.75	19.88	23.13	21.00	35.00	15.25	18.88	22.00
	15 FC, AF	15.00	12.13	34.38	18.13	17.00	19.75	23.88	35.00	18.63	15.88	18.63
21	22 FC, AF	7.50	13.63	38.38	12.50	29.25	29.25	14.88	38.88	13.00	28.25	28.25
	20 FC, AF	10.88	13.25	38.38	15.50	26.25	26.25	18.13	38.88	16.13	25.13	25.13
	18 FC, AF	16.38	14.13	38.38	18.75	19.88	23.13	23.63	38.88	19.25	18.88	22.00
22	22 FC, AF	28 FC	28 FC	28 FC	28 FC	28 FC	28 FC	28.62	16.68	16.68	28.15	28.15
	20 FC, AF	25 FC	25 FC	25 FC	25 FC	25 FC	25 FC	31.55	18.19	18.19	25.12	25.12
	18 FC, AF	22 FC	22 FC	22 FC	22 FC	22 FC	22 FC	37.23	19.79	19.79	18.78	21.93
25	22 FC, AF	13.00	14.38	38.38	12.50	29.25	29.25	23.63	38.88	13.00	28.25	28.25
	20 FC, AF	17.13	13.25	38.38	15.50	26.25	26.25	26.88	38.88	16.13	25.13	25.13
	18 FC, AF	22.63	14.13	38.38	18.75	19.88	23.13	32.50	38.88	19.25	18.88	22.00
26	22 FC, AF	n/a	n/a	n/a	n/a	n/a	n/a	46.87	16.68	16.68	28.15	28.15
	20 FC, AF	n/a	n/a	n/a	n/a	n/a	n/a	49.80	18.19	18.19	25.12	25.12
	18 FC, AF	n/a	n/a	n/a	n/a	n/a	n/a	55.48	19.79	19.79	18.78	21.93
30	25 FC, AF	8.00	16.00	47.00	14.00	32.75	32.75	20.13	47.50	14.50	31.63	31.63
	22 FC, AF	13.00	14.38	47.00	17.38	29.25	29.25	23.63	47.50	17.88	28.25	28.25
	20 FC, AF	17.13	13.25	47.00	20.38	26.25	26.25	26.88	47.50	21.00	25.13	25.13
31	25 FC, AF	n/a	n/a	n/a	n/a	n/a	n/a	40.70	20.23	20.23	31.54	31.54
	22 FC, AF	n/a	n/a	n/a	n/a	n/a	n/a	46.87	21.93	21.93	28.15	28.15
	20 FC, AF	n/a	n/a	n/a	n/a	n/a	n/a	49.80	23.44	23.44	25.12	25.12
35	25 FC	13.09	18.88	46.19	22.03	31.79	31.79	22.48	46.04	21.88	32.08	32.08
	22 FC	18.09	17.27	46.19	25.42	28.40	28.40	25.61	46.04	25.27	28.68	28.68
	20 FC	22.44	15.95	46.19	28.45	25.37	25.37	28.54	46.04	28.30	25.66	25.66
36	25 FC	n/a	n/a	n/a	n/a	n/a	n/a	44.20	24.23	24.23	31.54	31.54
	22 FC	n/a	n/a	n/a	n/a	n/a	n/a	50.37	25.93	25.93	28.15	28.15
	20 FC	n/a	n/a	n/a	n/a	n/a	n/a	53.30	27.44	27.44	25.12	25.12
40	28 FC	10.60	17.56	46.19	30.72	35.60	35.60	18.39	46.04	33.57	35.88	35.88
	25 FC	13.09	18.88	46.19	34.53	31.79	31.79	22.18	46.04	34.38	32.08	32.08
	22 FC	18.09	17.27	46.19	37.92	28.40	28.40	25.61	46.04	37.77	28.68	28.68
41	28 FC	n/a	n/a	n/a	n/a	n/a	n/a	55.41	22.33	22.33	35.35	35.35
	25 FC	n/a	n/a	n/a	n/a	n/a	n/a	59.20	24.23	24.23	31.54	31.54
	22 FC	n/a	n/a	n/a	n/a	n/a	n/a	65.37	25.93	25.93	28.15	28.15
50	32 FC	10.60	18.01	50.61	35.00	39.90	39.90	22.57	50.46	34.85	40.18	40.18
	28 FC	12.07	20.84	50.61	39.30	35.60	35.60	26.89	50.46	39.15	35.88	35.88
	25 FC	17.99	18.73	50.61	43.11	31.79	31.79	30.68	50.46	42.96	32.08	32.08
51	32 FC	n/a	n/a	n/a	n/a	n/a	n/a	51.09	26.93	26.93	39.65	39.65
	28 FC	n/a	n/a	n/a	n/a	n/a	n/a	55.41	29.08	29.08	35.35	35.35
	25 FC	n/a	n/a	n/a	n/a	n/a	n/a	49.20	30.98	30.98	31.54	31.54
57	32 FC	10.60	18.01	50.61	35.00	39.90	39.90	22.57	50.46	34.85	40.18	40.18
	28 FC	12.07	20.84	50.61	39.30	35.60	35.60	26.89	50.46	39.15	35.88	35.88
	25 FC	17.99	18.73	50.61	43.11	31.79	31.79	30.68	50.46	42.96	32.08	32.08



Dimensions

Table 61. Housed fan - BTFT/BTBK and FTBT/BKBT discharge openings dimensions (inches) for unit sizes 3-120

Unit Size	Housed Fan Size	BTFT/BTBK Discharge Opening						FTBT/BKBT Discharge Opening				
		BF	BK	BR	BL	BOL	BOW	FB	FR	FL	FOH	FOW
58	32 FC	n/a	n/a	n/a	n/a	n/a	n/a	63.34	26.93	26.93	39.65	39.65
	28 FC	n/a	n/a	n/a	n/a	n/a	n/a	67.66	29.08	29.08	35.35	35.35
	25 FC	n/a	n/a	n/a	n/a	n/a	n/a	71.45	30.98	30.98	31.54	31.54
66	36 FC	14.01	25.25	57.57	38.20	44.74	44.74	30.50	52.79	42.33	45.02	45.02
	32 FC	21.11	22.99	57.57	43.04	39.90	39.90	35.32	52.79	47.52	40.18	40.18
	28 FC	27.42	20.99	57.57	47.33	35.60	35.60	39.64	52.79	51.82	35.88	35.88
80	40 FC	15.65	26.21	57.57	32.81	50.13	50.13	40.10	52.79	37.29	50.42	50.42
	36 FC	22.01	25.25	57.57	38.20	44.74	44.74	45.50	52.79	42.68	45.02	45.02
	32 FC	29.11	22.99	57.57	43.04	39.90	39.90	50.32	52.79	47.56	40.18	40.18
100	40 FC	19.65	26.21	62.86	41.52	50.13	50.13	40.04	64.04	39.77	50.42	50.42
	36 FC	26.02	25.24	62.86	46.91	44.74	44.74	57.75	64.04	45.43	45.02	45.02
	32 FC	33.11	22.99	62.86	51.75	39.90	39.90	62.62	64.04	50.32	40.18	40.18
	44 AF	12.61	27.28	62.78	35.61	56.11	56.11	44.84	62.79	35.61	56.11	56.11
120	40 FC, AF	19.65	26.21	73.11	58.77	50.13	50.13	52.34	81.29	50.34	50.42	50.42
	36 FC, AF	26.02	25.24	73.11	64.16	44.74	44.74	57.75	81.29	55.74	45.02	45.02
	32 FC	33.11	22.99	73.11	69.00	39.90	39.90	62.57	81.34	60.56	40.18	40.18
	49 AF	12.57	n/a	73.03	46.13	62.84	62.84	38.11	73.04	46.13	62.84	62.84
	44 AF	12.61	27.28	73.03	52.86	56.11	56.11	44.84	73.04	52.86	56.11	56.11

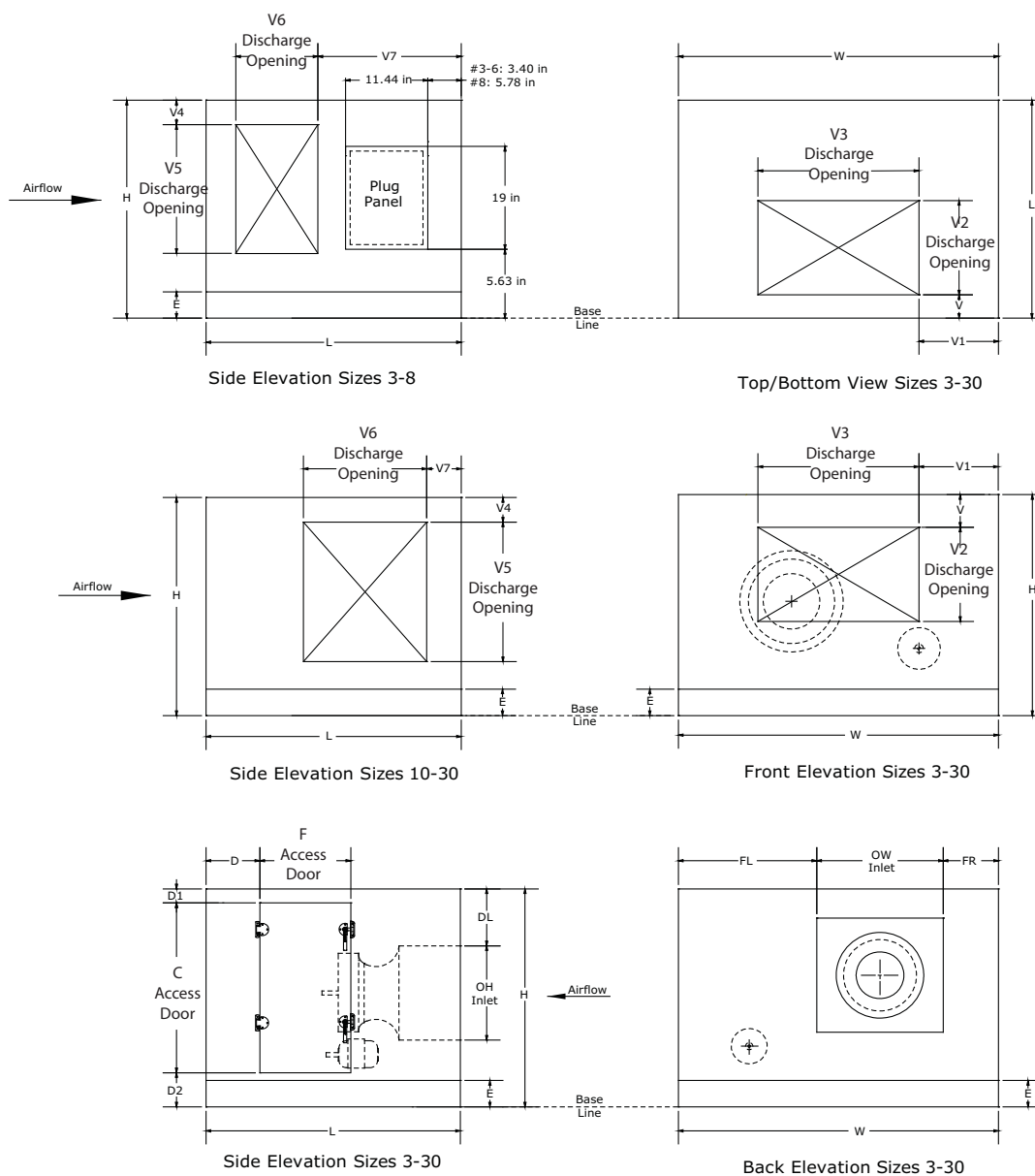
Table 62. Housed fan - inlet opening dimensions (inches) for unit sizes 3-120

Unit Size	Fan Size	Vertical Fan Bottom Inlet Opening				Max Top/Bottom Inlet Opening			
		V	V1	V2	V3	V	V1	V2	V3
3	All	4.13	8.00	17.00	15.50	4.13	8.00	27.75	15.50
4	All	4.13	8.00	17.00	28.00	4.13	8.00	32.75	28.00
6	All	4.13	8.00	17.00	28.00	4.13	8.00	32.75	28.00
8	All	4.13	8.00	19.00	34.50	4.13	8.00	35.75	34.50
10	All	4.13	9.00	19.00	43.50	4.13	9.00	34.25	43.50
12	All	4.13	9.00	19.00	48.50	4.13	9.00	34.25	48.50
14	All	4.13	9.00	19.00	54.00	4.13	9.00	34.25	54.00
17	All	4.13	9.00	19.00	54.00	4.13	9.00	35.75	54.00
21	All	4.13	9.00	17.00	62.00	4.13	9.00	42.00	62.00
22	All	n/a	n/a	n/a	n/a	4.13	9.00	60.75	43.50
25	All	4.13	9.00	29.00	62.00	4.13	9.00	48.25	62.00
26	All	n/a	n/a	n/a	n/a	4.13	9.00	60.75	43.50
30	All	4.13	9.00	29.00	75.50	4.13	9.00	48.25	75.50
31	All	n/a	n/a	n/a	n/a	4.13	9.00	65.00	54.00
35	All	8.25	10.00	47.25	80.00	8.25	10.00	47.25	80.00
36	All	n/a	n/a	n/a	n/a	8.25	10.00	64.00	60.00
40	All	8.25	10.00	47.25	92.50	8.25	10.00	47.25	92.50
41	All	n/a	n/a	n/a	n/a	8.25	10.00	64.00	60.00
50	All	8.25	10.00	52.00	105.50	8.25	10.00	52.00	105.50
51	All	n/a	n/a	n/a	n/a	8.25	10.00	71.50	73.50
57	All	8.25	10.00	52.00	105.50	8.25	10.00	52.00	105.50
58	All	n/a	n/a	n/a	n/a	8.25	10.00	71.50	73.50

Table 62. Housed fan - inlet opening dimensions (inches) for unit sizes 3-120

Unit Size	Fan Size	Vertical Fan Bottom Inlet Opening				Max Top/Bottom Inlet Opening			
		V	V1	V2	V3	V	V1	V2	V3
66	All	8.25	25.20	67.50	90.10	8.25	25.20	67.50	90.10
80	All	8.25	25.20	75.50	90.10	8.25	25.20	75.50	90.10
100	All	8.25	27.90	79.50	98.70	8.25	27.90	79.50	98.70
120	All	8.25	38.20	79.50	105.60	8.25	38.20	79.50	105.60

Belt-Drive Plenum Fans

Figure 45. Belt-drive plenum fans - rectangular openings for unit sizes 3-30




Dimensions

Table 63. Belt-drive plenum fan for unit sizes 3-30 - door and inlet dimensions (inches)

Unit size	Fan type	Fan size	W	L	H	E	Door Dimensions					Inlet Dimension				
							C	F	D	D1	D2	OH	OW	DL	FR	FL
3	11P	11 BC	31.50	36.00	29.00	4.50	22.25	13.75	3.13	2.63	4.25	14.25	14.25	6.13	11.25	6.00
	10P	10 BC										12.75	12.75	7.63	12.25	6.50
4	12P	12 AF	44.00	41.00	29.00	4.50	22.25	18.75	3.13	2.63	4.25	16.13	16.13	4.25	14.00	14.00
	11P	11 BC										14.25	14.25	6.13	14.88	14.88
6	16P	16 AF	44.00	41.00	35.25	4.50	28.50	16.75	3.13	2.63	4.25	20.38	20.38	6.25	11.88	11.88
	14P	14 AF										18.13	18.13	8.50	13.00	13.00
8	16P	16 AF	50.50	44.00	37.75	4.50	31.00	18.75	3.13	2.63	4.25	20.38	20.38	8.75	15.13	15.13
	14P	14 AF										18.13	18.13	11.00	16.25	16.25
10	18P	18 AF	61.50	42.50	37.75	4.50	31.00	17.25	3.13	2.63	4.25	22.88	22.88	6.63	8.63	30.00
	16P	16 AF										20.38	20.38	9.13	9.38	31.75
12	20P	20 AF	66.50	42.50	41.50	4.50	34.75	17.25	3.13	2.63	4.25	25.50	25.50	7.75	8.88	32.25
	18P	18 AF										22.88	22.88	10.38	8.63	35.00
14	22P	22 AF	72.00	42.50	41.50	4.50	34.75	17.25	3.13	2.63	4.25	28.50	28.50	4.75	8.63	34.88
	20P	20 AF										25.50	25.50	7.75	11.63	34.88
17	25P	25 AF	72.00	44.00	49.00	4.50	42.25	17.75	3.13	2.63	4.25	32.00	32.00	8.75	8.63	31.38
	22P	22 AF										28.50	28.50	12.25	8.88	34.63
21	28P	28 AF	80.00	50.25	52.75	4.50	46.00	18.75	3.13	2.63	4.25	35.75	35.75	8.00	9.63	34.75
	25P	25 AF										32.00	32.00	11.75	8.63	39.38
25	28P	28 AF	80.00	50.25	61.50	4.50	54.75	18.75	3.13	2.63	4.25	35.75	35.75	16.75	9.63	34.75
	25P	25 AF										32.00	32.00	20.50	8.63	39.38
30	32P	32 AF	93.50	52.50	61.50	4.50	54.75	22.00	3.13	2.63	4.25	40.25	40.25	12.25	10.75	42.50
	28P	28 AF										35.75	35.75	16.75	15.25	42.50

Note: 1 Base line includes standard 2.5-inch integral base frame.

Table 64. Belt-drive plenum fans - rectangular opening dimensions (inches) for unit sizes 3-30

Unit Size	Fan Type	Fan Size	Rectangular Openings																	
			Standard Front/Top/Bottom Openings					Standard Side Openings			Front Full Face			Top Full Face			Side Full Face			
			V	V1	V2	V3	V4	V5	V6	V7	V1	V2	V3	V1	V2	V3	V4	V5	V6	V7
3	11P 10P	11 BC 10 BC	4.13	8.75	11.00	14.00	4.50	11.00	14.00	16.50	5.50	18.38	20.50	5.50	27.75	20.50	4.50	18.00	15.38	16.50
4	12P 11P	12 AF 11 BC	4.13	12.00	11.00	20.00	4.50	12.00	15.00	16.50	5.50	18.38	33.00	5.50	32.75	33.00	4.50	18.00	20.38	16.50
6	16P 14P	16 AF 14 AF	4.13	11.50	15.00	21.00	4.50	17.00	18.00	16.50	5.50	24.63	33.00	5.50	32.75	33.00	4.50	24.25	20.38	16.50
8	16P 14P	16 AF 14 AF	4.13	13.25	16.00	24.00	4.50	19.00	19.00	18.88	5.50	27.13	39.50	5.50	35.75	39.50	4.50	26.75	22.00	18.88
10	18P 16P	18 AF 16 AF	4.13	15.75	16.00	30.00	4.50	22.00	22.00	4.13	5.50	27.13	50.50	5.50	34.25	50.50	4.50	26.75	34.25	4.13
12	20P 18P	20 AF 18 AF	4.13	17.25	18.00	32.00	4.50	25.00	23.00	4.13	5.50	30.88	55.50	5.50	34.25	55.50	4.50	30.50	34.25	4.13
14	22P 20P	22 AF 20 AF	4.13	17.50	19.00	37.00	4.50	27.00	25.00	4.13	5.50	30.88	61.00	5.50	34.25	61.00	4.50	30.50	34.25	4.13
17	25P 22P	25 AF 22 AF	4.13	17.50	23.00	37.00	4.50	32.00	25.00	4.13	5.50	38.38	61.00	5.50	35.75	61.00	4.50	38.00	35.75	4.13
21	28P 25P	28 AF 25 AF	4.13	19.50	25.00	41.00	4.50	39.00	26.00	4.13	5.50	42.13	69.00	5.50	42.00	69.00	4.50	41.75	42.00	4.13
25	28P 25P	28 AF 25 AF	4.13	19.50	30.00	41.00	4.50	39.00	30.00	4.13	5.50	50.88	69.00	5.50	42.00	69.00	4.50	50.50	42.00	4.13
30	32P 28P	32 AF 28 AF	4.13	22.25	30.00	49.00	4.50	43.00	34.00	4.13	5.50	50.88	82.50	5.50	44.25	82.50	4.50	50.50	44.25	4.13

Dimensions

Figure 46. Belt-drive plenum fans - round and bell mouth openings for unit sizes 3-30

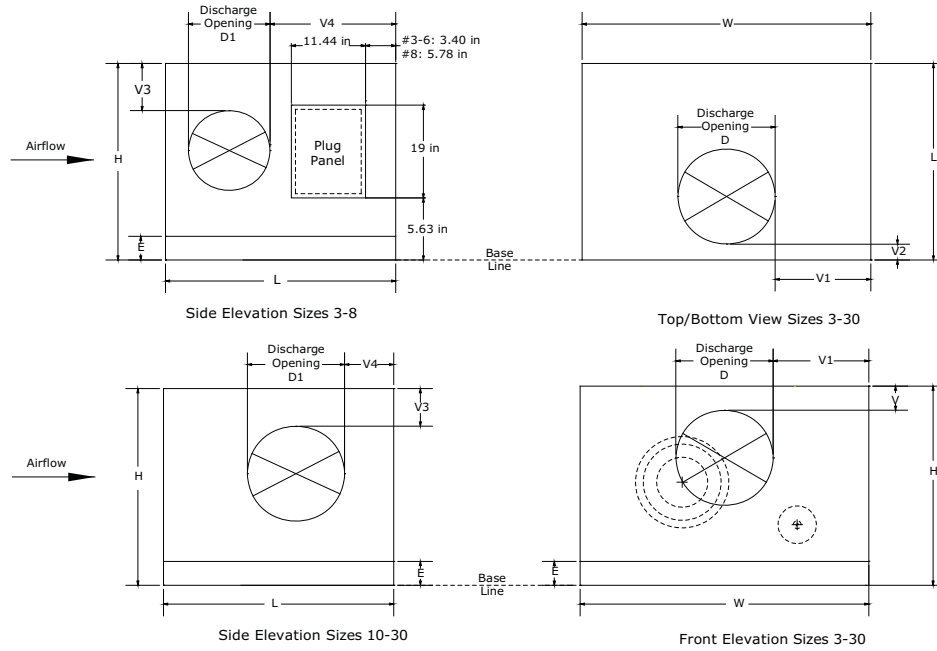
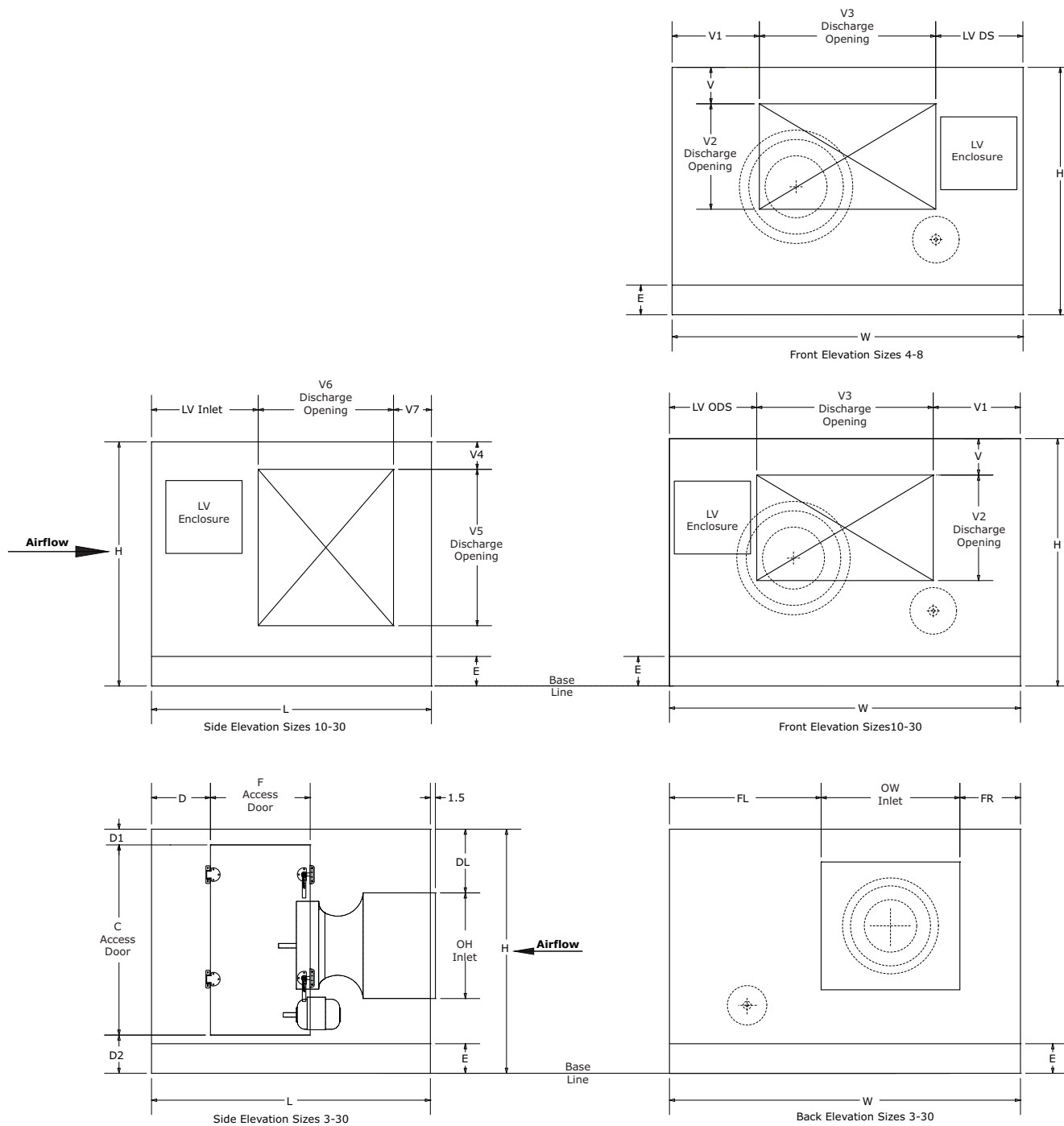


Table 65. Belt-drive plenum fans - round and bell mouth opening dimensions (inches) for unit sizes 3-30

Unit Size	Fan Type	Fan Size	Round Openings						Bell mouth							
			Standard Front/Top/Bottom				Standard Side		Standard Front/Top/Bottom				Standard Side			
			D	V	V1	V2	D1	V3	V4	D	V	V1	V2	D1	V3	V4
3	11P	11 BC	13.00	4.13	9.25	4.13	13.00	4.50	16.50	13.00	5.13	9.25	6.75	13.00	5.63	17.50
	10P	10 BC														
4	12P	12 AF	16.00	4.13	14.00	4.13	16.00	4.50	16.50	16.00	5.13	14.00	6.75	16.00	5.63	17.50
	11P	11 BC														
6	16P	16 AF	20.00	4.13	12.00	4.13	20.00	4.50	16.50	20.00	5.13	12.00	6.75	16.00	5.63	17.50
	14P	14 AF														
8	16P	16 AF	22.00	4.13	14.25	4.13	22.00	4.50	18.88	24.00	5.13	13.25	6.75	20.00	5.63	19.88
	14P	14 AF														
10	18P	18 AF	24.00	4.13	18.75	4.13	24.00	4.50	4.13	24.00	5.13	18.75	6.75	24.00	5.63	5.13
	16P	16 AF														
12	20P	20 AF	28.00	4.13	19.25	4.13	28.00	4.50	4.13	28.00	5.13	19.25	6.75	28.00	5.63	5.13
	18P	18 AF														
14	22P	22 AF	30.00	4.13	21.00	4.13	30.00	4.50	4.13	28.00	5.13	22.00	6.75	28.00	5.63	5.13
	20P	20 AF														
17	25P	25 AF	32.00	4.13	20.00	4.13	32.00	4.50	4.13	28.00	5.13	22.00	6.75	28.00	5.63	5.13
	22P	22 AF														
21	28P	28 AF	34.00	4.13	23.00	4.13	34.00	4.50	4.13	36.00	5.13	22.00	6.75	36.00	5.63	5.13
	25P	25 AF														
25	28P	28 AF	38.00	4.13	21.00	4.13	38.00	4.50	4.13	36.00	5.13	22.00	6.75	36.00	5.63	5.13
	25P	25 AF														
30	32P	32 AF	42.00	4.13	25.75	4.13	42.00	4.50	4.13	36.00	5.13	28.75	6.75	42.00	5.63	5.13
	28P	28 AF														

Table 66. Belt-drive plenum fans with low voltage controls - rectangular openings for unit sizes 3-30



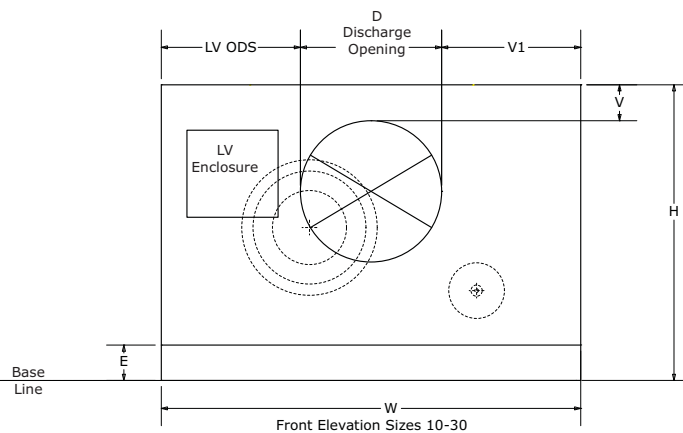
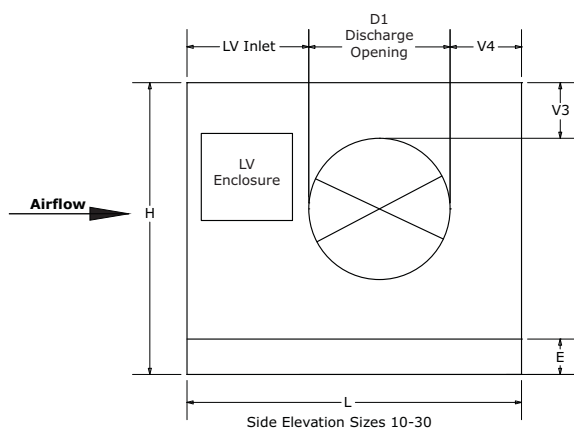
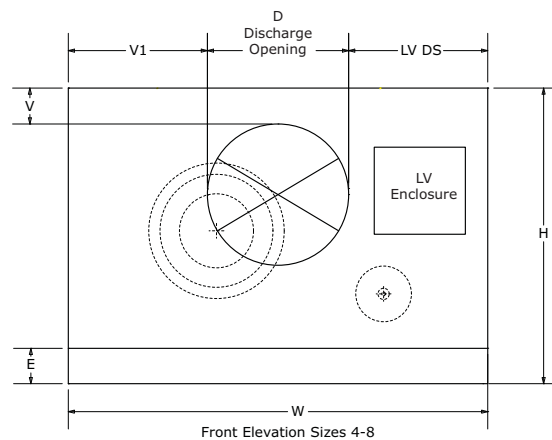


Dimensions

Table 67. Belt-drive plenum fans with low voltage controls - rectangular opening dimensions (inches) for unit sizes 3-30

Unit size	Fan type	Fan size	Rectangular Openings																		
			Standard Front Openings					Standard Side Openings					Front Full Face				Side Full Face				
			V	V1	V2	V3	LV DS (4-8) LV ODS (10-30)	V4	V5	V6	V7	LV Inlet	V1	V2	V3	LV DS (4-8) LV ODS (10-30)	V4	V5	V6	V7	LV Inlet
3	11P 10P	11 BC 10 BC	n/a	n/a	n/a	n/a	n/a	n/a	n/a	n/a	n/a	n/a	n/a	n/a	n/a	n/a	n/a	n/a	n/a	n/a	
4	12P 11P	12 AF 11 BC	4.13	6.00	12.00	18.00	20.00	n/a	n/a	n/a	n/a	n/a	5.50	18.38	18.50	20.00	n/a	n/a	n/a	n/a	n/a
6	16P 14P	16 AF 14 AF	4.13	6.00	17.00	18.00	20.00	n/a	n/a	n/a	n/a	n/a	5.50	24.63	18.50	20.00	n/a	n/a	n/a	n/a	n/a
8	16P 14P	16 AF 14 AF	4.13	6.50	16.00	24.00	20.00	n/a	n/a	n/a	n/a	n/a	5.50	27.13	25.00	20.00	n/a	n/a	n/a	n/a	n/a
10	18P 16P	18 AF 16 AF	4.13	20.75	24.00	20.00	20.75	4.50	24.50	19.75	4.13	18.63	5.50	27.13	36.00	20.00	4.50	26.75	19.88	4.13	18.50
12	20P 18P	20 AF 18 AF	4.13	21.25	24.00	24.00	21.25	4.50	29.13	19.75	4.13	18.63	5.50	30.88	41.00	20.00	4.50	30.50	19.88	4.13	18.50
14	22P 20P	22 AF 20 AF	4.13	22.50	26.00	27.00	22.50	4.50	30.50	19.75	4.13	18.63	5.50	30.88	46.50	20.00	4.50	30.50	19.88	4.13	18.50
17	25P 22P	25 AF 22 AF	4.13	23.50	34.00	25.00	23.50	4.50	37.75	21.25	4.13	18.63	5.50	38.38	46.50	20.00	4.50	38.00	21.38	4.13	18.50
21	28P 25P	28 AF 25 AF	4.13	23.50	31.00	33.00	23.50	4.50	39.00	26.00	4.13	20.13	5.50	42.13	54.50	20.00	4.50	41.75	27.63	4.13	18.50
25	28P 25P	28 AF 25 AF	4.13	25.00	41.00	30.00	25.00	4.50	46.00	26.00	4.13	20.13	5.50	50.88	54.50	20.00	4.50	50.50	27.63	4.13	18.50
30	32P 28P	32 AF 28 AF	4.13	22.25	30.00	49.00	22.25	4.50	49.00	30.00	4.00	18.50	5.50	50.88	68.00	20.00	4.50	50.50	30.00	4.00	18.50

Table 68. Belt-drive plenum fans with low voltage controls - round and bell mouth openings for unit sizes 3-30



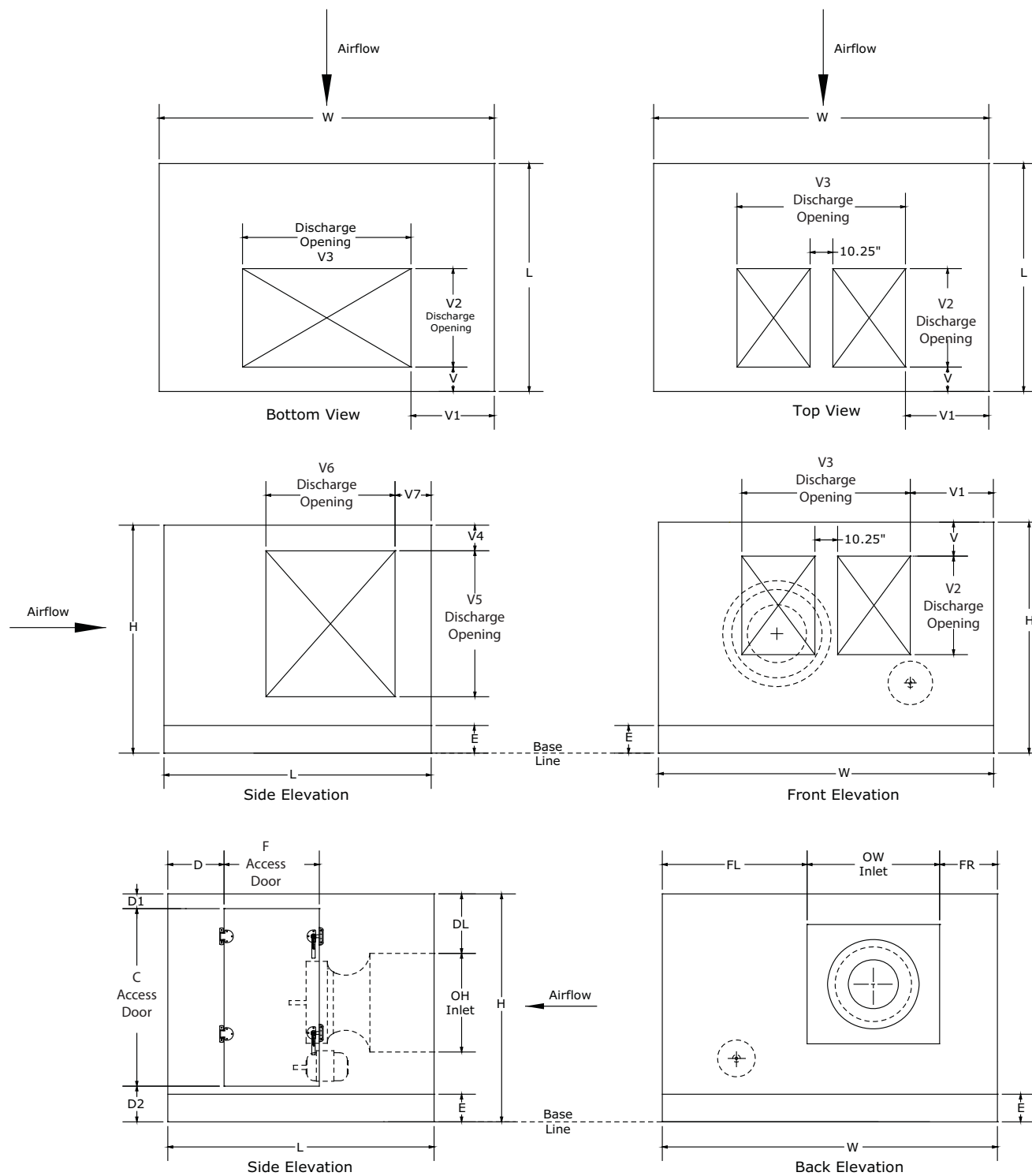


Dimensions

Table 69. Belt-drive plenum fans with low voltage controls - round and bell mouth opening dimensions (inches) for unit sizes 3-30

Unit size	Fan type	Fan size	Round Openings								Bell mouth							
			Standard Front Openings				Standard Side Openings				Standard Front Openings				Standard Side Openings			
			D	V	V1	LV DS (4-8) LV ODS (10-30)	D1	V3	V4	LV Inlet	D	V	V1	LV DS (4-8) LV ODS (10-30)	D1	V3	V4	LV Inlet
3	11P 10P	11 BC 10 BC	n/a	n/a	n/a	n/a	n/a	n/a	n/a	n/a	n/a	n/a	n/a	n/a	n/a	n/a	n/a	n/a
4	12P 11P	12 AF 11 BC	16.00	4.13	8.00	20.00	n/a	n/a	n/a	n/a	16.00	5.13	7.00	21.00	n/a	n/a	n/a	n/a
6	16P 14P	16 AF 14 AF	16.00	4.13	8.00	20.00	n/a	n/a	n/a	n/a	16.00	5.13	7.00	21.00	n/a	n/a	n/a	n/a
8	16P 14P	16 AF 14 AF	22.00	4.13	8.50	20.00	n/a	n/a	n/a	n/a	20.00	5.13	9.50	21.00	n/a	n/a	n/a	n/a
10	18P 16P	18 AF 16 AF	20.00	4.13	20.75	20.75	20.00	4.50	4.00	18.50	20.00	5.13	20.50	21.00	16.00	5.63	5.13	21.38
12	20P 18P	20 AF 18 AF	24.00	4.13	21.25	21.25	20.00	4.50	4.00	18.50	24.00	5.13	21.25	21.25	16.00	5.63	5.13	21.38
14	22P 20P	22 AF 20 AF	30.00	4.13	21.00	21.00	20.00	4.50	4.00	18.50	28.00	5.13	22.00	22.00	16.00	5.63	5.13	21.38
17	25P 22P	25 AF 22 AF	32.00	4.13	20.00	20.00	20.00	4.50	4.00	20.00	28.00	5.13	22.00	22.00	20.00	5.63	4.50	19.50
21	28P 25P	28 AF 25 AF	34.00	4.13	23.00	23.00	26.00	4.50	4.13	20.13	36.00	5.13	22.00	22.00	24.00	5.63	5.13	21.13
25	28P 25P	28 AF 25 AF	38.00	4.13	21.00	21.00	26.00	4.50	4.13	20.13	36.00	5.13	22.00	22.00	24.00	5.63	5.13	21.13
30	32P 28P	32 AF 28 AF	42.00	4.13	25.75	25.75	30.00	4.50	4.00	18.50	42.00	5.13	25.75	25.75	28.00	5.63	5.00	19.50

Figure 47. Belt-drive plenum fans - rectangular openings for unit sizes 35-120





Dimensions

Table 70. Belt-drive plenum fans - door and inlet dimensions (inches) for unit sizes 35-120

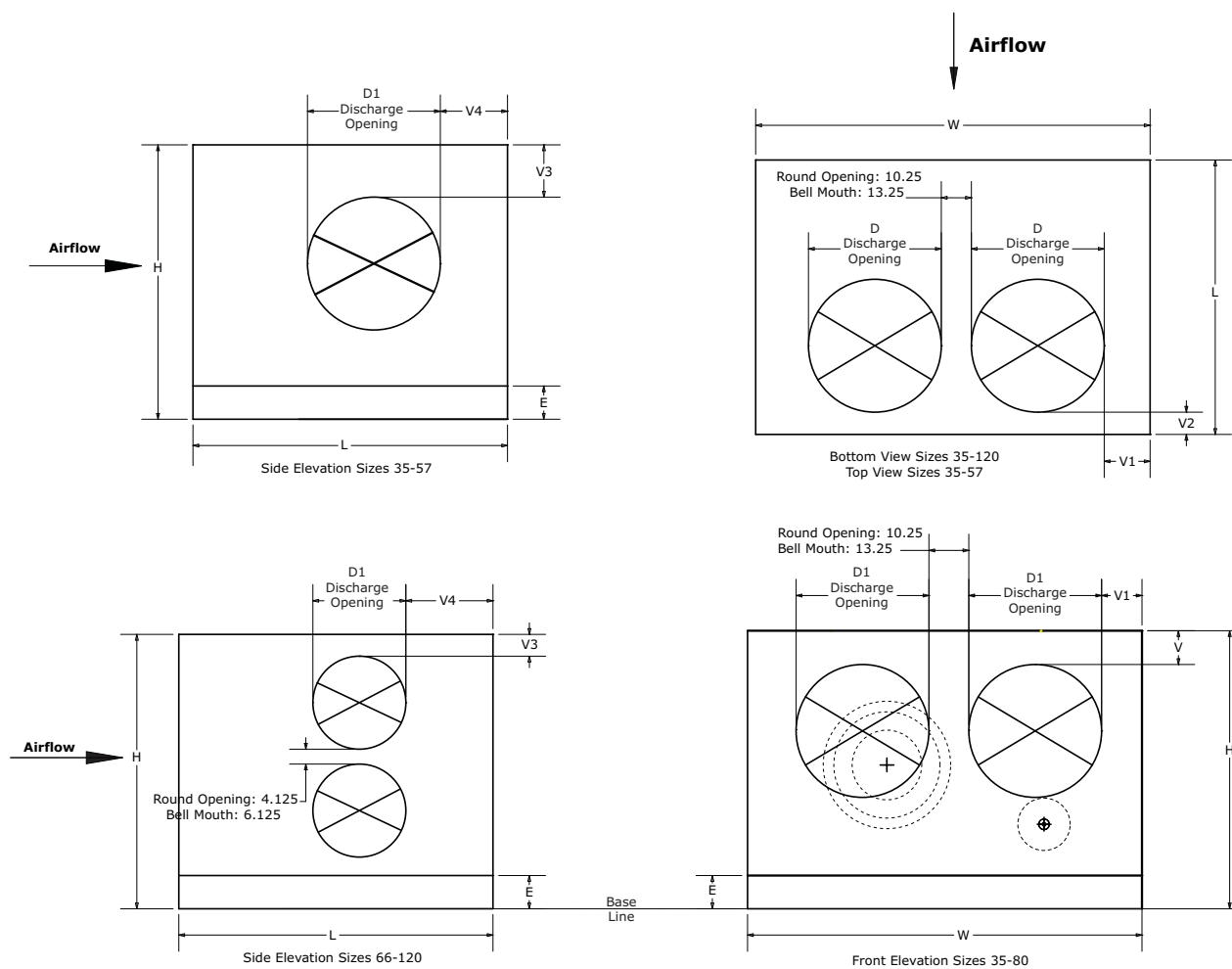
Unit Size	Fan Size	Fan Type	Door Dimensions				Inlet Dimension									
			W	L	H	E	C	F	D	D1	D2	OH	OW	DL	FR	FL
35	36P	36 AF	100.00	53.50	67.25	4.50	60.50	22.00	3.13	2.63	4.25	45.25	45.25	9.00	12.00	42.75
	32P	32 AF										40.25	40.25	14.00	17.00	42.75
40	40P	40 AF	112.50	53.50	67.25	4.50	60.50	22.00	3.13	2.63	4.25	49.75	49.75	4.50	20.00	42.75
	36P	36 AF										45.25	45.25	9.00	24.50	42.75
50	40P	40 AF	125.50	57.50	75.75	4.50	69.00	26.75	3.13	2.63	4.25	49.75	49.75	13.00	21.25	54.50
	36P	36 AF										45.25	45.25	17.50	25.75	54.50
57	44P	44 AF	125.50	59.50	85.50	4.50	60.50	26.75	4.00	20.88	4.25	49.75	49.75	19.88	21.25	54.50
	40P	40 AF										49.75	49.75	22.75	21.25	54.50
66	44P	44 AF	140.50	61.00	92.50	8.00	60.50	29.00	4.00	24.38	7.75	49.75	49.75	22.88	29.50	61.25
	40P	40 AF										49.75	49.75	25.75	29.50	61.25
80	49P	49 AF	140.50	63.00	107.50	8.00	60.50	29.00	4.00	39.38	7.75	55.50	55.50	31.75	23.75	61.25
	44P	44 AF										49.75	49.75	37.88	29.50	61.25
100	55P	55 AF	154.50	73.75	119.75	8.00	60.50	32.75	7.88	51.63	7.75	55.50	55.50	40.25	30.38	68.75
	49P	49 AF										55.50	55.50	44.00	33.75	65.38
120	63P	63 AF	182.00	82.25	119.75	8.00	60.50	32.75	7.88	51.63	7.75	62.00	62.00	32.00	41.63	78.50
	55P	55 AF										55.50	55.50	40.25	49.13	77.50

Table 71. Belt-drive plenum fans - rectangular opening dimensions (inches) for unit sizes 35-120

Unit Size	Fan Size	Fan Type	Rectangular Openings																
			Standard Front Openings					Standard Top Openings				Standard Bottom Openings				Standard Side Openings			
			V	V1	V2	V3	LV ODS	V	V1	V2	V3	V	V1	V2	V3	V4	V5	V6	V7
35	36P	36 AF	16.38	19.50	32.00	61.00	21.00	12.25	17.50	29.00	65.00	12.75	20.00	28.00	60.00	9.88	45.00	36.00	8.75
	32P	32 AF																	
40	40P	40 AF	16.38	22.75	32.00	67.00	22.75	12.25	19.75	29.00	73.00	12.75	21.75	28.00	69.00	8.38	48.00	38.00	7.75
	36P	36 AF																	
50	40P	40 AF	18.13	25.25	37.00	75.00	25.25	13.25	20.25	31.00	85.00	13.75	22.75	30.00	80.00	14.63	44.00	48.00	4.75
	36P	36 AF																	
57	44P	44 AF	20.50	25.25	42.00	75.00	25.25	13.25	17.75	33.00	90.00	13.75	20.25	32.00	85.00	14.50	54.00	50.00	4.75
	40P	40 AF																	
66	44P	44 AF	21.25	28.75	44.00	83.00	28.75	13.50	20.25	34.00	100.00	14.00	25.75	33.00	89.00	7.75	71.00	39.00	11.00
	40P	40 AF																	
80	49P	49 AF	24.75	28.75	52.00	83.00	28.75	12.00	17.25	39.00	106.00	12.50	25.75	38.00	89.00	9.75	82.00	44.00	9.50
	44P	44 AF																	
100	55P	55 AF	27.38	31.75	59.00	91.00	31.75	14.88	20.75	44.00	113.00	15.88	25.75	42.00	103.00	10.38	93.00	50.00	11.88
	49P	49 AF																	
120	63P	63 AF	27.38	38.00	59.00	106.00	38.00	19.13	23.50	44.00	135.00	15.13	38.25	52.00	105.50	7.88	98.00	50.00	16.13
	55P	55 AF																	

Table 72. Belt-drive plenum fans - rectangular full face opening dimensions (inches) for unit sizes 35-120

Unit Size	Fan Size	Fan Type	Rectangular Openings											
			Front Full Face				Top Full Face				Side Full Face			
			V	V1	V2	V3	V	V1	V2	V3	V4	V5	V6	V7
35	36P 32P	36 AF 32 AF	7.50	10.00	42.75	80.00	4.50	9.25	44.50	81.50	7.50	49.75	44.00	4.75
40	40P 36P	40 AF 36 AF	7.50	10.00	42.75	92.50	4.50	9.25	44.50	94.00	7.50	49.75	44.00	4.75
50	40P 36P	40 AF 36 AF	7.50	10.00	51.25	105.50	4.50	9.25	48.50	107.00	7.50	51.25	48.00	4.75
57	44P 40P	44 AF 40 AF	7.50	10.00	61.00	105.50	4.50	9.25	50.50	107.00	7.50	61.00	50.00	4.75
66	44P 40P	44 AF 40 AF	7.50	10.00	64.00	120.50	7.13	9.25	46.75	122.00	7.50	71.50	51.50	4.75
80	49P 44P	49 AF 44 AF	7.50	10.00	79.00	120.50	7.13	9.25	48.75	122.00	7.50	86.50	53.50	4.75
100	55P 49P	55 AF 49 AF	7.50	10.00	91.25	134.50	7.13	9.25	59.50	136.00	7.50	98.75	64.25	4.75
120	63P 55P	63 AF 55 AF	7.50	10.00	91.25	162.00	7.13	9.25	68.00	163.50	7.50	98.75	72.75	4.75

Figure 48. Belt-drive plenum fans - round and bell mouth openings for unit sizes 35-120




Dimensions

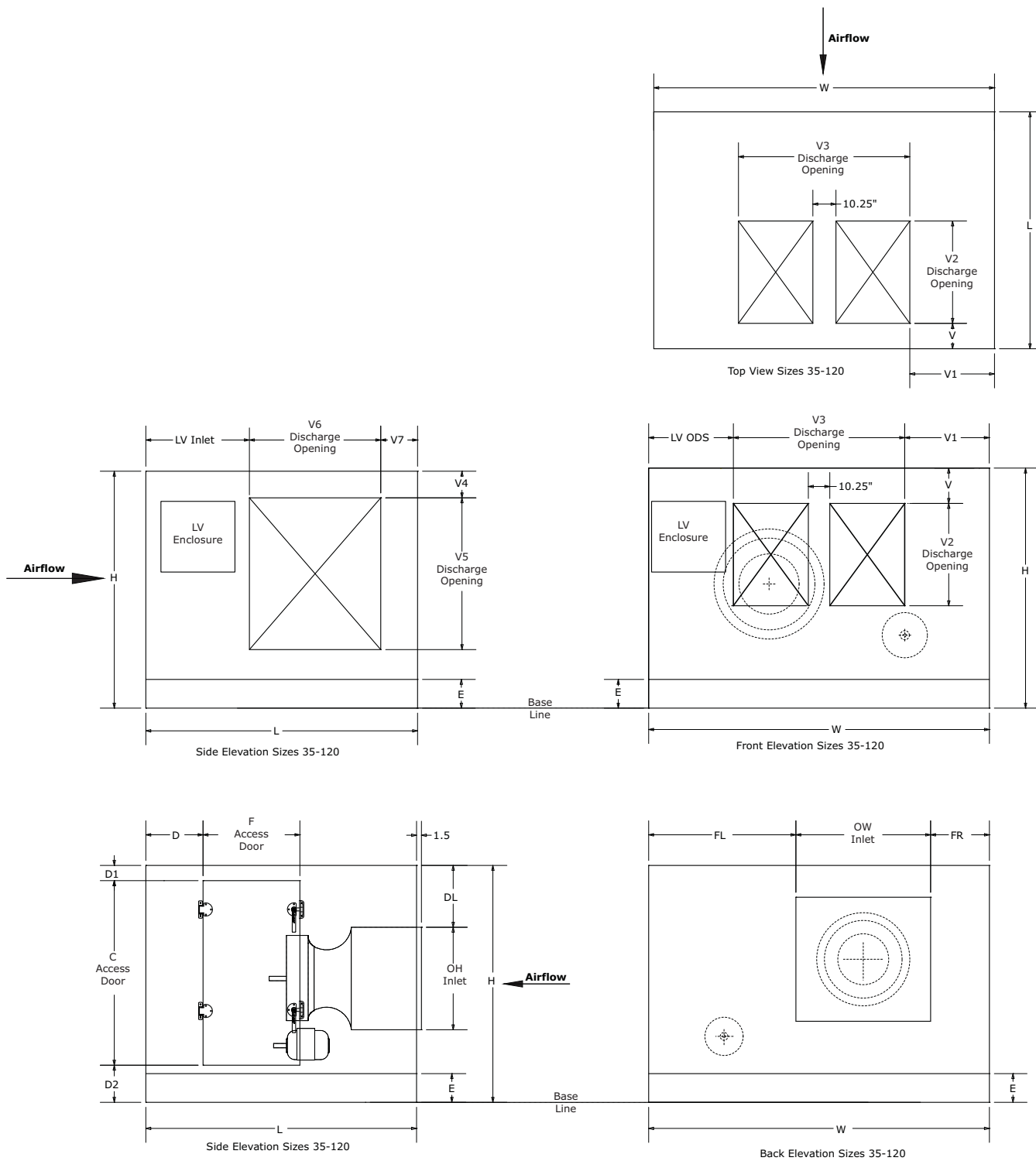
Table 73. Belt-drive plenum fans - round opening dimensions (inches) for unit sizes 35-120

Unit Size	Fan Size	Fan Type	Round Openings															
			Standard Front opening				Standard Top opening				Standard Bottom opening				Standard Side opening			
			D	Qty	V	V1	D	Qty	V1	V2	D	Qty	V1	V2	D1	Qty	V3	V4
35	36P 32P	36 AF 32 AF	32.00	2	16.38	12.88	32.00	2	12.88	10.75	32.00	2	12.88	10.75	44.00	1	10.38	4.75
40	40P 36P	40 AF 36 AF	34.00	2	15.38	17.13	34.00	2	17.13	9.75	34.00	2	17.13	9.75	44.00	1	10.38	4.75
50	40P 36P	40 AF 36 AF	38.00	2	17.63	19.63	36.50	2	21.13	10.50	36.50	2	21.13	10.50	48.00	1	10.38	4.75
57	44P 40P	44 AF 40 AF	41.00	2	21.00	16.63	42.00	2	15.63	8.75	42.00	2	15.63	8.75	48.00	1	17.50	5.75
66	44P 40P	44 AF 40 AF	44.00	2	21.25	21.13	34.00	2	12.25	13.50	45.00	2	20.13	8.00	33.75	2	7.50	13.63
80	49P 44P	49 AF 44 AF	48.00	2	26.75	17.13	36.00	2	9.25	13.50	45.00	2	20.13	9.00	41.25	2	7.50	10.88
100	55P 49P	55 AF 49 AF	38.00	4	16.88	34.13	40.50	2	9.50	16.63	48.00	2	24.13	12.88	47.25	2	7.63	13.25
120	63P 55P	63 AF 55 AF	42.00	4	10.63	43.88	45.00	2	16.50	18.63	48.00	2	37.88	17.13	47.25	2	7.63	17.50

Table 74. Belt-drive plenum fans - bell mouth opening dimensions (inches) for unit sizes 35-120

Unit Size	Fan Size	Fan Type	Bell mouth															
			Standard Front				Standard Top				Standard Bottom				Standard Side			
			D	Qty	V	V1	D	Qty	V1	V2	D	Qty	V1	V2	D1	Qty	V3	V4
35	36P 32P	36 AF 32 AF	32.00	2	16.38	11.38	32.00	2	11.38	10.75	32.00	2	11.38	10.75	42.00	1	11.38	5.75
40	40P 36P	40 AF 36 AF	32.00	2	16.38	17.63	32.00	2	17.63	10.75	32.00	2	17.63	10.75	42.00	1	11.38	5.75
50	40P 36P	40 AF 36 AF	36.00	2	18.63	20.13	36.00	2	20.13	10.75	36.00	2	20.13	10.75	46.00	1	11.38	5.75
57	44P 40P	44 AF 40 AF	36.00	2	23.50	20.13	42.00	2	14.13	8.75	42.00	2	14.13	8.75	46.00	1	18.50	6.75
66	44P 40P	44 AF 40 AF	42.00	2	22.25	21.63	32.00	2	15.25	14.50	42.00	2	21.63	9.50	32.00	2	8.25	14.50
80	49P 44P	49 AF 44 AF	46.00	2	27.75	17.63	32.00	2	9.25	13.50	42.00	2	21.63	10.50	36.00	2	11.75	13.50
100	55P 49P	55 AF 49 AF	36.00	4	17.88	34.63	36.00	2	16.25	18.88	46.00	2	24.63	13.88	42.00	2	11.88	15.88
120	63P 55P	63 AF 55 AF	36.00	4	17.88	48.38	42.00	2	21.00	20.13	46.00	2	38.38	18.13	42.00	2	11.88	20.13

Figure 49. Belt-drive plenum fans with low-voltage controls - rectangular openings for unit sizes 35-120





Dimensions

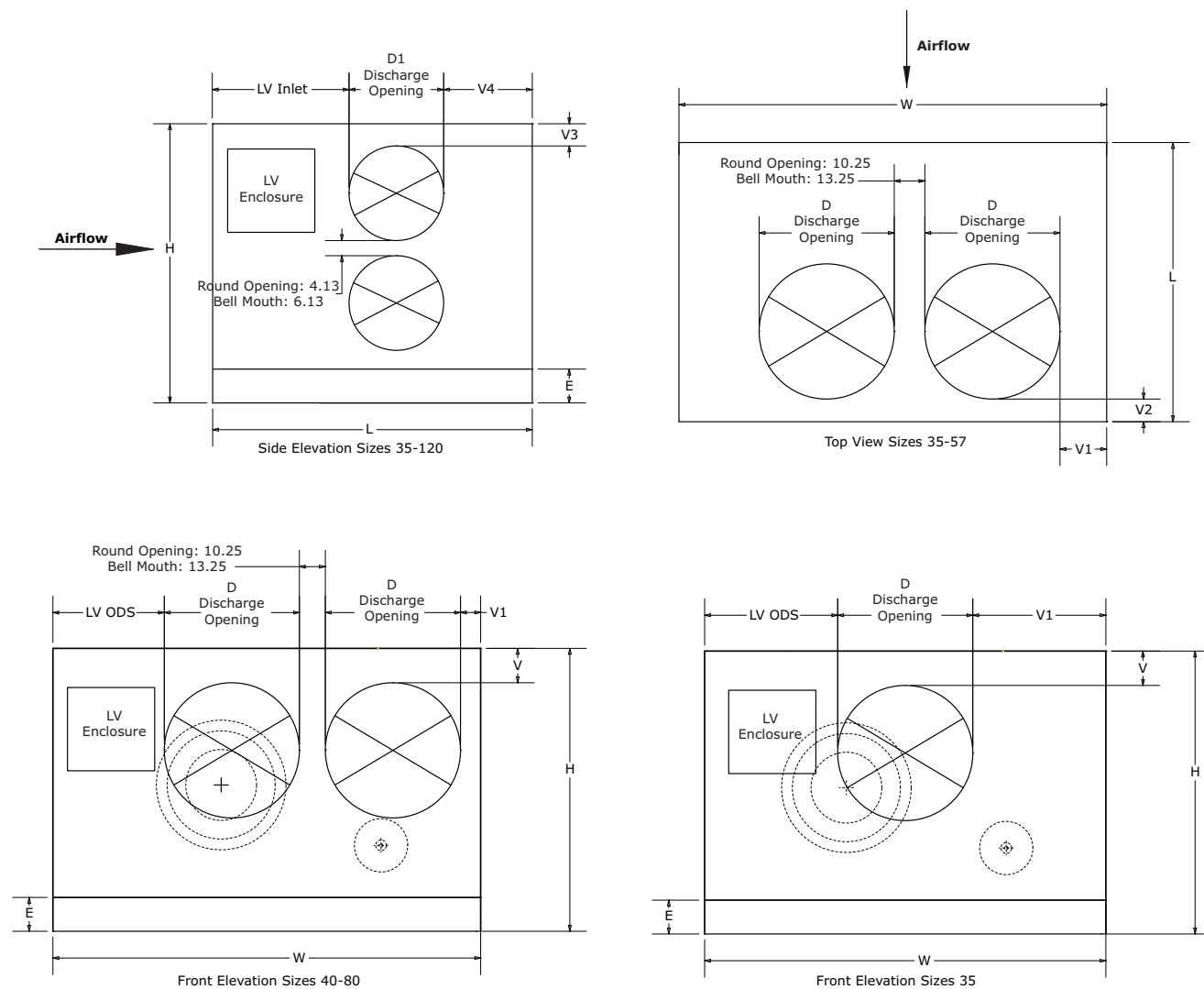
Table 75. Belt-drive plenum fan with low-voltage controls - rectangular opening dimensions (inches) for unit sizes 35-120

Unit Size	Fan Size	Fan Type	Rectangular Openings													
			Standard Front Openings					Standard Top Openings				Standard Side Openings				
			V	V1	V2	V3	LV ODS	V	V1	V2	V3	V4	V5	V6	V7	LV Inlet
35	36P	36 AF	16.38	18.00	32.00	61.00	21.00	12.25	17.50	29.00	65.00	7.50	49.75	27.75	4.75	21.00
	32P	32 AF														
40	40P	40 AF	16.38	22.75	32.00	67.00	22.75	12.25	19.75	29.00	73.00	7.50	49.75	27.75	4.75	21.00
	36P	36 AF														
50	40P	40 AF	18.13	25.25	37.00	75.00	25.25	13.25	20.25	31.00	85.00	7.50	51.25	31.75	4.75	21.00
	36P	36 AF														
57	44P	44 AF	20.50	25.25	42.00	75.00	25.25	13.25	17.75	33.00	90.00	7.50	61.00	33.75	4.75	21.00
	40P	40 AF														
66	44P	44 AF	21.25	28.75	44.00	83.00	28.75	13.50	20.25	34.00	100.00	7.50	71.50	35.25	4.75	21.00
	40P	40 AF														
80	49P	49 AF	24.75	28.75	52.00	83.00	28.75	12.00	17.25	39.00	106.00	7.50	86.50	37.25	4.75	21.00
	44P	44 AF														
100	55P	55 AF	27.38	31.75	59.00	91.00	31.75	14.88	20.75	44.00	113.00	10.38	93.00	48.00	4.75	21.00
	49P	49 AF														
120	63P	63 AF	27.38	38.00	59.00	106.00	38.00	19.13	23.50	44.00	135.00	7.88	98.00	50.00	11.25	21.00
	55P	55 AF														

Table 76. Belt-drive plenum fan with low-voltage controls - rectangular opening dimensions (inches) for unit sizes 35-120

Unit Size	Fan Size	Fan Type	Rectangular Openings													
			Front Full Face					Top Full Face				Side Full Face				
			V	V1	V2	V3	LV ODS	V	V1	V2	V3	V4	V5	V6	V7	LV Inlet
35	36P	36 AF	7.50	10.00	42.75	69.00	21.00	4.50	9.25	38.38	81.50	7.50	49.75	27.75	4.75	21.00
	32P	32 AF														
40	40P	40 AF	7.50	10.00	42.75	81.50	21.00	4.50	9.25	38.38	94.00	7.50	49.75	27.75	4.75	21.00
	36P	36 AF														
50	40P	40 AF	7.50	10.00	51.25	94.50	21.00	4.50	9.25	42.38	107.00	7.50	51.25	31.75	4.75	21.00
	36P	36 AF														
57	44P	44 AF	7.50	10.00	61.00	94.50	21.00	4.50	9.25	44.38	107.00	7.50	61.00	33.75	4.75	21.00
	40P	40 AF														
66	44P	44 AF	7.50	10.00	64.00	109.00	21.50	7.13	9.25	43.25	122.00	7.50	71.50	35.25	4.75	21.00
	40P	40 AF														
80	49P	49 AF	7.50	10.00	79.00	109.00	21.50	7.13	9.25	45.25	122.00	7.50	86.50	37.25	4.75	21.00
	44P	44 AF														
100	55P	55 AF	7.50	10.00	91.25	123.00	21.50	7.13	9.25	56.00	136.00	7.50	98.75	48.00	4.75	21.00
	49P	49 AF														
120	63P	63 AF	7.50	10.00	91.25	150.50	21.50	7.13	9.25	64.50	163.50	7.50	98.75	56.50	4.75	21.00
	55P	55 AF														

Figure 50. Belt-drive plenum fans with low-voltage controls - round and bell mouth openings for unit sizes 35-120





Dimensions

Table 77. Belt-drive plenum fans with low-voltage controls - round opening dimensions (inches) for unit sizes 35-120

Unit Size	Fan Size	Fan Type	Round Openings													
			Standard Front opening					Standard Top opening				Standard Side opening				
			D	Qty	V	V1	LV ODS	D	Qty	V1	V2	D1	Qty	V3	V4	LV Inlet
35	36P	36 AF	42.00	1	8.25	29.00	29.00	32.00	2	12.88	10.75	22.50	2	7.88	10.00	21.00
	32P	32 AF														
40	40P	40 AF	34.00	2	15.38	13.25	21.00	34.00	2	17.13	8.88	22.50	2	7.88	10.00	21.00
	36P	36 AF														
50	40P	40 AF	38.00	2	17.63	18.25	21.00	36.50	2	21.13	10.38	23.50	2	7.50	13.00	21.00
	36P	36 AF														
57	44P	44 AF	41.00	2	21.00	12.25	21.00	42.00	2	15.63	6.88	28.50	2	7.50	10.00	21.00
	40P	40 AF														
66	44P	44 AF	44.00	2	21.25	20.75	21.50	34.00	3	12.25	13.50	33.75	2	7.50	6.25	21.00
	40P	40 AF														
80	49P	49 AF	48.00	2	26.75	12.75	21.50	36.00	3	9.25	13.50	37.25	2	11.50	4.75	21.00
	44P	44 AF														
100	55P	55 AF	38.00	4	16.88	34.13	34.13	40.50	3	9.50	16.63	47.25	2	7.63	5.50	21.00
	49P	49 AF														
120	63P	63 AF	42.00	4	10.63	43.88	43.88	45.00	3	16.50	18.63	47.25	2	7.63	14.00	21.00
	55P	55 AF														

Table 78. Belt-drive plenum fans with low-voltage controls - bell mouth opening dimensions (inches) for unit sizes 35-120

Unit Size	Fan Size	Fan Type	Bell mouth													
			Standard Front					Standard Top				Standard Side				
			D	Qty	V	V1	LV ODS	D	Qty	V1	V2	D1	Qty	V3	V4	LV Inlet
35	36P	36 AF	36.00	1	12.75	32.00	32.00	32.00	2	11.38	9.88	20.00	2	9.38	10.38	23.13
	32P	32 AF														
40	40P	40 AF	32.00	2	16.38	13.25	22.00	32.00	2	17.63	9.88	20.00	2	9.38	10.38	23.13
	36P	36 AF														
50	40P	40 AF	36.00	2	18.63	18.25	22.00	36.00	2	20.13	9.88	20.00	2	11.63	14.38	23.13
	36P	36 AF														
57	44P	44 AF	36.00	2	23.50	18.25	22.00	42.00	2	14.13	5.88	24.00	2	13.38	12.38	23.13
	40P	40 AF														
66	44P	44 AF	42.00	2	22.25	19.63	23.63	32.00	3	15.25	14.50	32.00	2	8.25	5.88	23.13
	40P	40 AF														
80	49P	49 AF	46.00	2	27.75	11.63	23.63	36.00	3	9.25	13.50	32.00	2	15.75	7.88	23.13
	44P	44 AF														
100	55P	55 AF	36.00	4	17.88	34.63	34.63	36.00	3	16.25	18.88	42.00	2	11.88	8.63	23.13
	49P	49 AF														
120	63P	63 AF	36.00	4	17.88	48.38	48.38	42.00	3	21.00	20.13	42.00	2	11.88	17.13	23.13
	55P	55 AF														

Direct-Drive Plenum Fans

Table 79. Direct-drive plenum fans - door and inlet dimensions (inches) for unit sizes 3-31

Unit Size	Fan Type	Fan Size	Fan Qty	Fan Dimensions				Door Dimensions					Inlet Dimension				
				W	L	H	E	C	F	D	D1	D2	OH	OW	DL	FR	FL
3	10NW 10NF	105 AF	1	31.50	36.00	29.00	4.50	22.25	13.75	3.13	2.63	4.25	15.00	15.00	6.75	8.25	8.25
4	12NF 12NR	122 AF	1	44.00	41.00	29.00	4.50	22.25	18.75	3.13	2.63	4.25	17.25	17.25	4.63	13.38	13.38
4	13NF 13NR	135 AF	1	44.00	41.00	29.00	4.50	22.25	18.75	3.13	2.63	4.25	17.75	18.50	3.88	12.88	12.88
6	13NF 12NR	135 AF	1	44.00	41.00	35.25	4.50	28.50	16.75	3.13	2.63	4.25	17.75	18.50	9.25	12.88	12.88
6	15NF 15NR	150 AF	1	44.00	41.00	35.25	4.50	28.50	16.75	3.13	2.63	4.25	19.75	21.00	7.50	11.50	11.50
8	16NF 16NR	165 AF	1	50.50	44.00	37.75	4.50	31.00	18.75	3.13	2.63	4.25	21.50	22.75	8.25	14.00	14.00
8	18NF 18NR	182 AF	1	50.50	44.00	37.75	4.50	31.00	18.75	3.13	2.63	4.25	23.50	24.75	6.13	12.88	12.88
10	18NF 18NR	182 AF	1	61.50	46.75	37.75	4.50	31.00	17.25	3.13	2.63	4.25	23.50	24.75	6.00	18.38	18.38
10	20NF 20NR	200 AF	1	61.50	46.75	37.75	4.50	31.00	17.25	3.13	2.63	4.25	26.25	27.13	3.38	17.25	17.25
12	20NF 20NR	200 AF	1	66.50	48.50	41.50	4.50	34.75	17.25	7.88	2.63	4.25	26.25	27.25	6.13	19.75	19.75
12	22NF 22NR	222 AF	1	66.50	48.50	41.50	4.50	34.75	17.25	7.88	2.63	4.25	28.75	30.25	3.75	18.13	18.13
14	20NW 20NF	200 AF	1	72.00	48.50	41.50	4.50	34.75	17.25	7.88	2.63	4.25	26.25	27.25	6.13	22.50	22.50
14	22NW 22NF	222 AF	1	72.00	48.50	41.50	4.50	34.75	17.25	7.88	2.63	4.25	28.75	30.25	3.75	20.88	20.88
17	22NF 22NR	222 AF	1	72.00	50.00	49.00	4.50	42.25	17.75	7.88	2.63	4.25	28.75	30.25	11.13	20.88	20.88
17	24NF 24NR	245 AF	1	72.00	50.00	49.00	4.50	42.25	17.75	7.88	2.63	4.25	31.75	33.00	8.25	19.50	19.50
21	20NF 20NR	200 AF	2	80.00	50.25	52.75	4.50	46.00	17.75	3.13	2.63	4.25	26.25	59.25	17.50	10.50	10.50
22	27NF 27NR	270 AF	1	61.50	60.00	67.25	4.50	60.50	26.75	7.88	2.63	4.25	34.25	36.63	20.13	12.50	12.50
25	22NF 22NR	222 AF	2	80.00	50.25	61.50	4.50	54.75	18.75	3.13	2.63	4.25	28.75	65.50	23.75	7.25	7.25
26	30NF 30NR	300 AF	1	61.50	65.00	85.50	4.50	60.50	26.75	7.88	20.88	4.25	37.75	40.50	34.88	10.63	10.63
30	24NF 24NR	245 AF	2	93.50	52.50	61.50	4.50	54.75	18.75	3.13	2.63	4.25	31.75	71.00	20.75	11.25	11.25
31	30NW 30NF	300 AF	1	72.00	65.00	85.50	4.50	60.50	26.75	7.88	20.88	4.25	37.75	40.50	34.88	15.88	15.88

Figure 51. Direct-drive plenum fans - rectangular openings for unit sizes 3-31

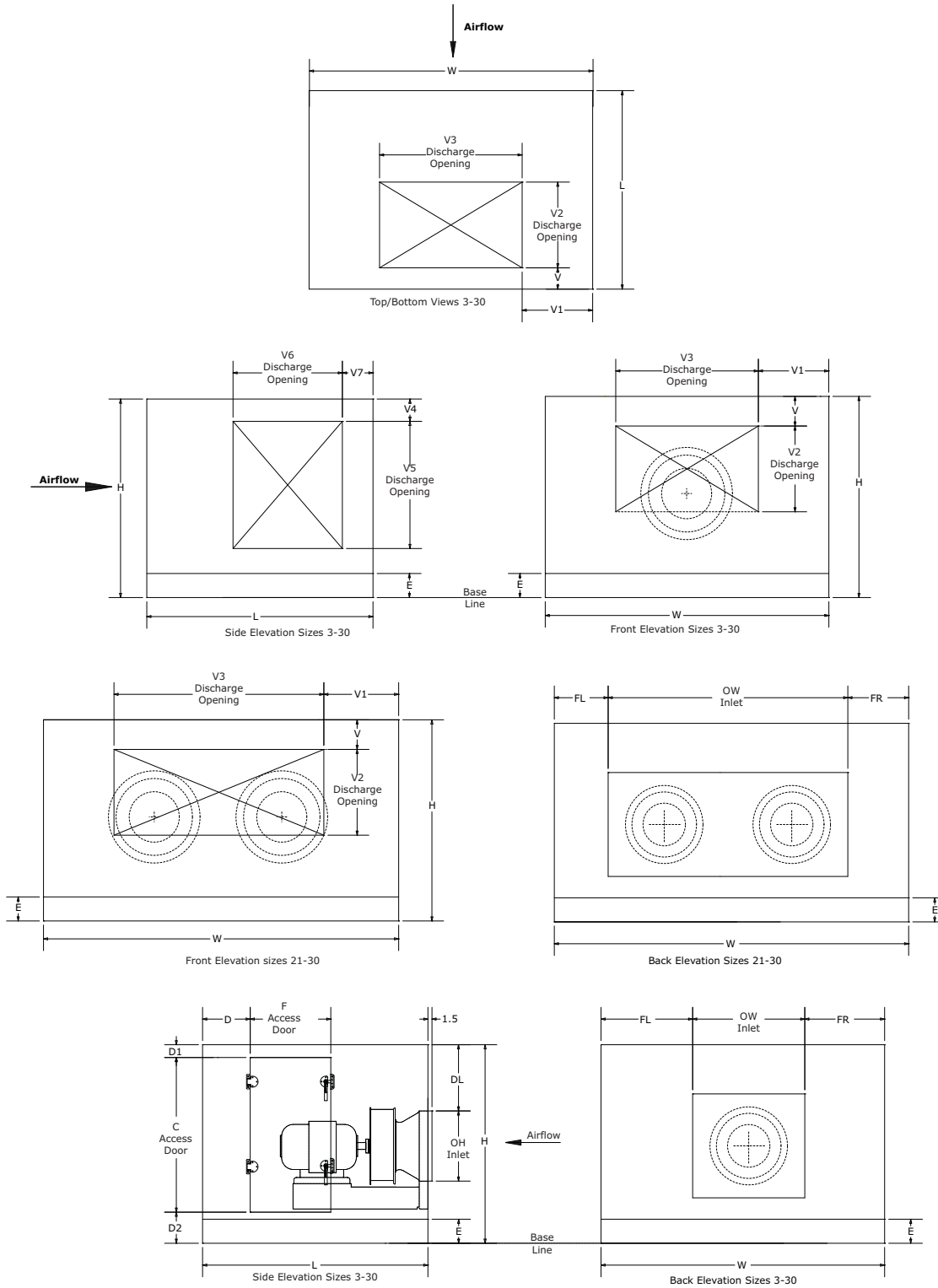


Table 80. Direct-drive plenum fans - rectangular opening dimensions (inches) for unit sizes 3-31

Unit Size	Fan Type	Fan Size	Fan Qty	Rectangular Openings															
				Standard Front Openings				Standard Top Openings				Standard Bottom Openings				Standard Side Openings			
				V	V1	V2	V3	V	V1	V2	V3	V	V1	V2	V3	V4	V5	V6	V7
3	10NW 10NF	105 AF	1	4.13	8.75	11.00	14.00	4.13	8.75	11.00	14.00	4.13	8.75	11.00	14.00	4.50	11.00	14.00	4.13
4	12NF 12NR	122 AF	1	4.13	12.00	11.00	20.00	4.13	12.00	11.00	20.00	4.13	12.00	11.00	20.00	4.50	12.00	15.00	4.13
4	13NF 13NR	135 AF	1	4.13	12.00	11.00	20.00	4.13	12.00	11.00	20.00	4.13	12.00	11.00	20.00	4.50	12.00	15.00	4.13
6	13NF 12NR	135 AF	1	4.13	11.50	15.00	21.00	4.13	11.50	15.00	21.00	4.13	11.50	15.00	21.00	4.50	17.00	18.00	4.13
6	15NF 15NR	150 AF	1	4.13	11.50	15.00	21.00	4.13	11.50	15.00	21.00	4.13	11.50	15.00	21.00	4.50	17.00	18.00	4.13
8	16NF 16NR	165 AF	1	4.13	13.25	16.00	24.00	4.13	13.25	16.00	24.00	4.13	13.25	16.00	24.00	4.50	19.00	19.00	4.13
8	18NF 18NR	182 AF	1	4.13	13.25	16.00	24.00	4.13	13.25	16.00	24.00	4.13	13.25	16.00	24.00	4.50	19.00	19.00	4.13
10	18NF 18NR	182 AF	1	4.13	15.75	16.00	30.00	4.13	15.75	16.00	30.00	4.13	15.75	16.00	30.00	4.50	22.00	22.00	4.13
10	20NF 20NR	200 AF	1	4.13	15.75	16.00	30.00	4.13	15.75	16.00	30.00	4.13	15.75	16.00	30.00	4.50	22.00	22.00	4.13
12	20NF 20NR	200 AF	1	4.13	17.25	18.00	32.00	4.13	17.25	18.00	32.00	4.13	17.25	18.00	32.00	4.50	25.00	23.00	4.13
12	22NF 22NR	222 AF	1	4.13	17.25	18.00	32.00	4.13	17.25	18.00	32.00	4.13	17.25	18.00	32.00	4.50	25.00	23.00	4.13
14	20NW 20NF	200 AF	1	4.13	17.50	19.00	37.00	4.13	17.50	19.00	37.00	4.13	17.50	19.00	37.00	4.50	27.00	25.00	4.13
14	22NW 22NF	222 AF	1	4.13	17.50	19.00	37.00	4.13	17.50	19.00	37.00	4.13	17.50	19.00	37.00	4.50	27.00	25.00	4.13
17	22NF 22NR	222 AF	1	4.13	17.50	23.00	37.00	4.13	17.50	23.00	37.00	4.13	17.50	23.00	37.00	4.50	32.00	25.00	4.13
17	24NF 24NR	245 AF	1	4.13	17.50	23.00	37.00	4.13	17.50	23.00	37.00	4.13	17.50	23.00	37.00	4.50	32.00	25.00	4.13
21	20NF 20NR	200 AF	2	4.13	19.50	25.00	41.00	4.13	19.50	25.00	41.00	4.13	19.50	25.00	41.00	4.50	39.00	26.00	4.13
22	27NF 27NR	270 AF	1	16.38	15.75	32.00	30.00	18.00	9.25	24.00	43.00	n/a	n/a	n/a	n/a	11.25	39.00	26.00	17.00
25	22NF 22NR	222 AF	2	4.13	19.50	30.00	41.00	4.13	19.50	30.00	41.00	4.13	19.50	30.00	41.00	4.50	39.00	30.00	4.13
26	30NF 30NR	300 AF	1	21.00	10.75	41.00	40.00	17.50	10.25	30.00	41.00	n/a	n/a	n/a	n/a	19.00	45.00	26.00	19.50
30	24NF 24NR	245 AF	2	4.13	22.25	30.00	49.00	4.13	22.25	30.00	49.00	4.13	22.25	30.00	49.00	4.50	43.00	34.00	4.13
31	30NW 30NF	300 AF	1	21.00	13.00	41.00	46.00	17.50	11.50	30.00	49.00	n/a	n/a	n/a	n/a	16.50	50.00	29.00	18.00



Dimensions

Table 81. Direct-drive plenum fans - rectangular full face opening dimensions (inches) for unit sizes 3-31

Unit Size	Fan Type	Fan Size	Fan Qty	Rectangular Openings											
				Front Full Face				Top Full Face				Side Full Face			
				V	V1	V2	V3	V	V1	V2	V3	V4	V5	V6	V7
3	10NW 10NF	105 AF	1	4.13	5.50	18.38	20.50	4.13	5.50	27.75	20.50	4.50	18.00	27.75	4.13
4	12NF 12NR	122 AF	1	4.13	5.50	18.38	33.00	4.13	5.50	32.75	33.00	4.50	18.00	32.75	4.13
4	13NF 13NR	135 AF	1	4.13	5.50	18.38	33.00	4.13	5.50	32.75	33.00	4.50	18.00	32.75	4.13
6	13NF 12NR	135 AF	1	4.13	5.50	24.63	33.00	4.13	5.50	32.75	33.00	4.50	24.25	32.75	4.13
6	15NF 15NR	150 AF	1	4.13	5.50	24.63	33.00	4.13	5.50	32.75	33.00	4.50	24.25	32.75	4.13
8	16NF 16NR	165 AF	1	4.13	5.50	27.13	39.50	4.13	5.50	35.75	39.50	4.50	26.75	35.75	4.13
8	18NF 18NR	182 AF	1	4.13	5.50	27.13	39.50	4.13	5.50	35.75	39.50	4.50	26.75	35.75	4.13
10	18NF 18NR	182 AF	1	4.13	5.50	27.13	50.50	4.13	5.50	38.50	50.50	4.50	26.75	38.50	4.13
10	20NF 20NR	200 AF	1	4.13	5.50	27.13	50.50	4.13	5.50	38.50	50.50	4.50	26.75	38.50	4.13
12	20NF 20NR	200 AF	1	4.13	5.50	30.88	55.50	4.13	5.50	40.25	55.50	4.50	30.50	40.25	4.13
12	22NF 22NR	222 AF	1	4.13	5.50	30.88	55.50	4.13	5.50	40.25	55.50	4.50	30.50	40.25	4.13
14	20NW 20NF	200 AF	1	4.13	5.50	30.88	61.00	4.13	5.50	40.25	61.00	4.50	30.50	40.25	4.13
14	22NW 22NF	222 AF	1	4.13	5.50	30.88	61.00	4.13	5.50	40.25	61.00	4.50	30.50	40.25	4.13
17	22NF 22NR	222 AF	1	4.13	5.50	38.38	61.00	4.13	5.50	41.75	61.00	4.50	38.00	41.75	4.13
17	24NF 24NR	245 AF	1	4.13	5.50	38.38	61.00	4.13	5.50	41.75	61.00	4.50	38.00	41.75	4.13
21	20NF 20NR	200 AF	2	4.13	5.50	42.13	69.00	4.13	5.50	42.00	69.00	4.50	41.75	42.00	4.13
22	27NF 27NR	270 AF	1	7.50	10.00	42.75	41.50	4.13	5.50	51.75	50.50	7.50	42.75	50.50	4.75
25	22NF 22NR	222 AF	2	4.13	5.50	50.88	69.00	4.13	5.50	42.00	69.00	4.50	50.50	42.00	4.13
26	30NF 30NR	300 AF	1	7.50	10.00	61.00	41.50	4.13	5.50	56.75	50.50	7.50	61.00	55.50	4.75
30	24NF 24NR	245 AF	2	4.13	5.50	50.88	82.50	4.13	5.50	44.25	82.50	4.50	50.50	44.25	4.13
31	30NW 30NF	300 AF	1	7.50	10.00	61.00	52.00	4.13	5.50	56.75	61.00	7.50	61.00	55.50	4.75

Table 82. Direct-drive plenum fans - round opening dimensions (inches) for unit sizes 3-31

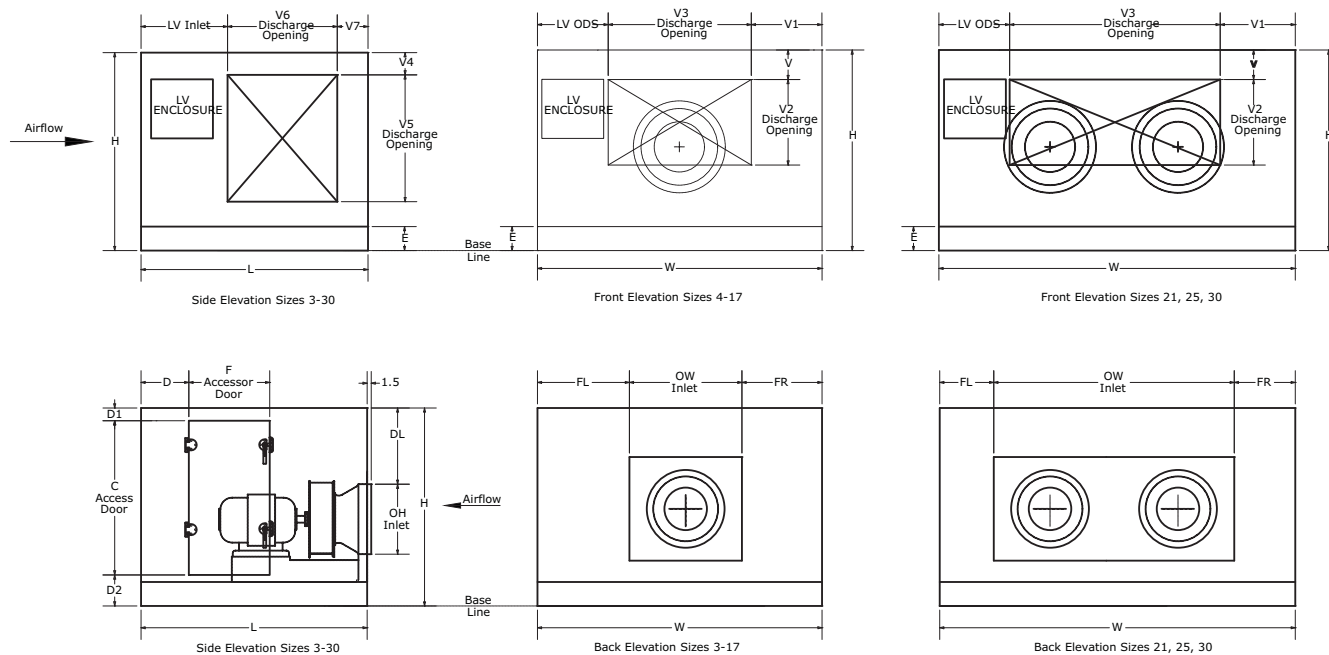
Unit Size	Fan Type	Fan Size	Fan Qty	Round Openings															
				Standard Front				Standard Top				Standard Bottom				Standard Side			
				D	Qty	V	V1	D	Qty	V1	V2	D	Qty	V1	V2	D1	Qty	V3	V4
3	10NW 10NF	105 AF	1	13.00	1	4.13	9.25	13.00	1	9.25	4.13	13.00	1	9.25	4.13	13.00	1	4.50	4.13
4	12NF 12NR	122 AF	1	16.00	1	4.13	14.00	16.00	1	14.00	4.13	16.00	1	14.00	4.13	16.00	1	4.50	4.13
4	13NF 13NR	135 AF	1	16.00	1	4.13	14.00	16.00	1	14.00	4.13	16.00	1	14.00	4.13	16.00	1	4.50	4.13
6	13NF 12NR	135 AF	1	20.00	1	4.13	12.00	20.00	1	12.00	4.13	20.00	1	12.00	4.13	20.00	1	4.50	4.13
6	15NF 15NR	150 AF	1	20.00	1	4.13	12.00	20.00	1	12.00	4.13	20.00	1	12.00	4.13	20.00	1	4.50	4.13
8	16NF 16NR	165 AF	1	22.00	1	4.13	14.25	22.00	1	14.25	4.13	22.00	1	14.25	4.13	22.00	1	4.50	4.13
8	18NF 18NR	182 AF	1	22.00	1	4.13	14.25	22.00	1	14.25	4.13	22.00	1	14.25	4.13	22.00	1	4.50	4.13
10	18NF 18NR	182 AF	1	24.00	1	4.13	18.75	24.00	1	18.75	4.13	24.00	1	18.75	4.13	24.00	1	4.50	4.13
10	20NF 20NR	200 AF	1	24.00	1	4.13	18.75	24.00	1	18.75	4.13	24.00	1	18.75	4.13	24.00	1	4.50	4.13
12	20NF 20NR	200 AF	1	28.00	1	4.13	19.25	28.00	1	19.25	4.13	28.00	1	19.25	4.13	28.00	1	4.50	4.13
12	22NF 22NR	222 AF	1	28.00	1	4.13	19.25	28.00	1	19.25	4.13	28.00	1	19.25	4.13	28.00	1	4.50	4.13
14	20NW 20NF	200 AF	1	30.00	1	4.13	21.00	30.00	1	21.00	4.13	30.00	1	21.00	4.13	30.00	1	4.50	4.13
14	22NW 22NF	222 AF	1	30.00	1	4.13	21.00	30.00	1	21.00	4.13	30.00	1	21.00	4.13	30.00	1	4.50	4.13
17	22NF 22NR	222 AF	1	32.00	1	4.13	20.00	32.00	1	20.00	4.13	32.00	1	20.00	4.13	32.00	1	4.50	4.13
17	24NF 24NR	245 AF	1	32.00	1	4.13	20.00	32.00	1	20.00	4.13	32.00	1	20.00	4.13	32.00	1	4.50	4.13
21	20NF 20NR	200 AF	2	34.00	1	4.13	23.00	34.00	1	23.00	4.13	34.00	1	23.00	4.13	34.00	1	4.50	4.13
22	27NF 27NR	270 AF	1	34.00	1	15.38	13.75	34.00	1	13.75	13.00	n/a	n/a	n/a	n/a	34.00	1	15.38	13.00
25	22NF 22NR	222 AF	2	38.00	1	4.13	21.00	38.00	1	21.00	4.13	38.00	1	21.00	4.13	38.00	1	4.50	4.13
26	30NF 30NR	300 AF	1	38.00	1	22.50	11.75	38.00	1	11.75	13.50	n/a	n/a	n/a	n/a	38.00	1	22.50	13.50
30	24NF 24NR	245 AF	2	42.00	1	4.13	25.75	42.00	1	25.75	4.13	42.00	1	25.75	4.13	42.00	1	4.50	4.13
31	30NW 30NF	300 AF	1	42.00	1	20.50	15.00	42.00	1	15.00	11.50	n/a	n/a	n/a	n/a	42.00	1	20.50	11.50



Dimensions

Table 83. Direct-drive plenum fans - bell mouth opening dimensions (inches) for unit sizes 3-31

Unit Size	Fan Type	Fan Size	Fan Qty	Bell Mouth															
				Standard Front				Standard Top				Standard Bottom				Standard Side			
				D	Qty	V	V1	D	Qty	V1	V2	D	Qty	V1	V2	D1	Qty	V3	V4
3	10NW 10NF	105 AF	1	13.00	1	5.13	9.25	13.00	1	9.25	6.75	13.00	1	9.25	6.75	13.00	1	5.63	5.13
4	12NF 12NR	122 AF	1	16.00	1	5.13	14.00	16.00	1	14.00	6.75	16.00	1	14.00	6.75	16.00	1	5.63	5.13
4	13NF 13NR	135 AF	1	16.00	1	5.13	14.00	16.00	1	14.00	6.75	16.00	1	14.00	6.75	16.00	1	5.63	5.13
6	13NF 12NR	135 AF	1	20.00	1	5.13	12.00	20.00	1	12.00	6.75	20.00	1	12.00	6.75	20.00	1	5.63	5.13
6	15NF 15NR	150 AF	1	20.00	1	5.13	12.00	20.00	1	12.00	6.75	20.00	1	12.00	6.75	20.00	1	5.63	5.13
8	16NF 16NR	165 AF	1	24.00	1	5.13	13.25	24.00	1	13.25	6.75	24.00	1	13.25	6.75	24.00	1	5.63	5.13
8	18NF 18NR	182 AF	1	24.00	1	5.13	13.25	24.00	1	13.25	6.75	24.00	1	13.25	6.75	24.00	1	5.63	5.13
10	18NF 18NR	182 AF	1	24.00	1	5.13	18.75	24.00	1	18.75	6.75	24.00	1	18.75	6.75	24.00	1	5.63	5.13
10	20NF 20NR	200 AF	1	24.00	1	5.13	18.75	24.00	1	18.75	6.75	24.00	1	18.75	6.75	24.00	1	5.63	5.13
12	20NF 20NR	200 AF	1	28.00	1	5.13	19.25	28.00	1	19.25	6.75	28.00	1	19.25	6.75	28.00	1	5.63	5.13
12	22NF 22NR	222 AF	1	28.00	1	5.13	19.25	28.00	1	19.25	6.75	28.00	1	19.25	6.75	28.00	1	5.63	5.13
14	20NW 20NF	200 AF	1	28.00	1	5.13	22.00	28.00	1	22.00	6.75	28.00	1	22.00	6.75	28.00	1	5.63	5.13
14	22NW 22NF	222 AF	1	28.00	1	5.13	22.00	28.00	1	22.00	6.75	28.00	1	22.00	6.75	28.00	1	5.63	5.13
17	22NF 22NR	222 AF	1	28.00	1	5.13	22.00	28.00	1	22.00	6.75	28.00	1	22.00	6.75	28.00	1	5.63	5.13
17	24NF 24NR	245 AF	1	28.00	1	5.13	22.00	28.00	1	22.00	6.75	28.00	1	22.00	6.75	28.00	1	5.63	5.13
21	20NF 20NR	200 AF	2	36.00	1	5.13	22.00	36.00	1	22.00	6.75	36.00	1	22.00	6.75	36.00	1	5.63	5.13
22	27NF 27NR	270 AF	1	36.00	1	12.75	12.75	36.00	1	12.75	12.00	n/a	n/a	n/a	n/a	36.00	1	12.75	12.00
25	22NF 22NR	222 AF	2	36.00	1	5.13	22.00	36.00	1	22.00	6.75	36.00	1	22.00	6.75	36.00	1	5.63	5.13
26	30NF 30NR	300 AF	1	36.00	1	23.50	12.75	36.00	1	12.75	14.50	n/a	n/a	n/a	n/a	36.00	1	23.50	14.50
30	24NF 24NR	245 AF	2	36.00	1	5.13	28.75	36.00	1	28.75	6.75	36.00	1	28.75	6.75	42.00	1	5.63	5.13
31	30NW 30NF	300 AF	1	42.00	1	20.50	15.00	42.00	1	15.00	11.50	n/a	n/a	n/a	n/a	42.00	1	20.50	11.50

Figure 52. Direct-drive plenum fans with low-voltage controls - rectangular openings for unit sizes 3-31

Table 84. Direct-drive plenum fans with low-voltage controls - door and inlet dimensions (inches) for unit sizes 3-31

Unit Size	Fan Type	Fan Size	Fan Qty	Fan Dimensions				Door Dimensions					Inlet Dimension				
				W	L	H	E	C	F	D	D1	D2	OH	OW	DL	FR	FL
3	10NW 10NF	105 AF	1	31.50	36.00	29.00	4.50	22.25	13.75	3.13	2.63	4.25	15.00	15.00	6.75	8.25	8.25
4	12NF 12NR	122 AF	1	44.00	41.00	29.00	4.50	22.25	18.75	3.13	2.63	4.25	17.25	17.25	4.63	13.38	13.38
4	13NF 13NR	135 AF	1	44.00	41.00	29.00	4.50	22.25	18.75	3.13	2.63	4.25	17.75	18.50	3.88	12.88	12.88
6	13NF 12NR	135 AF	1	44.00	41.00	35.25	4.50	28.50	16.75	3.13	2.63	4.25	17.75	18.50	9.25	12.88	12.88
6	15NF 15NR	150 AF	1	44.00	41.00	35.25	4.50	28.50	16.75	3.13	2.63	4.25	19.75	21.00	7.50	11.50	11.50
8	16NF 16NR	165 AF	1	50.50	44.00	37.75	4.50	31.00	18.75	3.13	2.63	4.25	21.50	22.75	8.25	14.00	14.00
8	18NF 18NR	182 AF	1	50.50	44.00	37.75	4.50	31.00	18.75	3.13	2.63	4.25	23.50	24.75	6.13	12.88	12.88
10	18NF 18NR	182 AF	1	61.50	46.75	37.75	4.50	31.00	17.25	3.13	2.63	4.25	23.50	24.75	6.00	18.38	18.38
10	20NF 20NR	200 AF	1	61.50	46.75	37.75	4.50	31.00	17.25	3.13	2.63	4.25	26.25	27.13	3.38	17.25	17.25
12	20NF 20NR	200 AF	1	66.50	48.50	41.50	4.50	34.75	17.25	7.88	2.63	4.25	26.25	27.25	6.13	19.75	19.75
12	22NF 22NR	222 AF	1	66.50	48.50	41.50	4.50	34.75	17.25	7.88	2.63	4.25	28.75	30.25	3.75	18.13	18.13
14	20NW 20NF	200 AF	1	72.00	48.50	41.50	4.50	34.75	17.25	7.88	2.63	4.25	26.25	27.25	6.13	22.50	22.50
14	22NW 22NF	222 AF	1	72.00	48.50	41.50	4.50	34.75	17.25	7.88	2.63	4.25	28.75	30.25	3.75	20.88	20.88
17	22NF 22NR	222 AF	1	72.00	50.00	49.00	4.50	42.25	17.75	7.88	2.63	4.25	28.75	30.25	11.13	20.88	20.88
17	24NF 24NR	245 AF	1	72.00	50.00	49.00	4.50	42.25	17.75	7.88	2.63	4.25	31.75	33.00	8.25	19.50	19.50



Dimensions

Table 84. Direct-drive plenum fans with low-voltage controls - door and inlet dimensions (inches) for unit sizes 3-31

Unit Size	Fan Type	Fan Size	Fan Qty	Door Dimensions								Inlet Dimension					
				W	L	H	E	C	F	D	D1	D2	OH	OW	DL	FR	FL
21	20NF 20NR	200 AF	2	80.00	50.25	52.75	4.50	46.00	17.75	3.13	2.63	4.25	26.25	59.25	17.50	10.50	10.50
22	27NF 27NR	270 AF	1	61.50	60.00	67.25	4.50	60.50	26.75	7.88	2.63	4.25	34.25	36.63	20.13	12.50	12.50
25	22NF 22NR	222 AF	2	80.00	50.25	61.50	4.50	54.75	18.75	3.13	2.63	4.25	28.75	65.50	23.75	7.25	7.25
26	30NF 30NR	300 AF	1	61.50	65.00	85.50	4.50	60.50	26.75	7.88	20.88	4.25	37.75	40.50	34.88	10.63	10.63
30	24NF 24NR	245 AF	2	93.50	52.50	61.50	4.50	54.75	18.75	3.13	2.63	4.25	31.75	71.00	20.75	11.25	11.25
31	30NW 30NF	300 AF	1	72.00	65.00	85.50	4.50	60.50	26.75	7.88	20.88	4.25	37.75	40.50	34.88	15.88	15.88

Table 85. Direct-drive plenum fans with low-voltage controls-rectangular opening dimensions (inches) for unit sizes 3-31

Unit Size	Fan Type	Fan Size	Fan Qty	Rectangular Openings									
				Standard Front Openings					Standard Side Openings				
				V	V1	V2	V3	LV ODS	V4	V5	V6	V7	LV Inlet
3	10NW 10NF	105 AF	1	n/a	n/a	n/a	n/a	n/a	4.50	11.00	13.38	4.13	18.50
4	12NF 12NR	122 AF	1	4.13	6.00	12.00	18.00	20.00	4.50	12.00	15.00	4.13	21.88
4	13NF 13NR	135 AF	1	4.13	6.00	12.00	18.00	20.00	4.50	12.00	15.00	4.13	21.88
6	13NF 12NR	135 AF	1	4.13	6.00	17.00	18.00	20.00	4.50	17.00	18.00	4.13	18.88
6	15NF 15NR	150 AF	1	4.13	6.00	17.00	18.00	20.00	4.50	17.00	18.00	4.13	18.88
8	16NF 16NR	165 AF	1	4.13	6.50	16.00	24.00	20.00	4.50	19.00	19.00	4.13	20.88
8	18NF 18NR	182 AF	1	4.13	6.50	16.00	24.00	20.00	4.50	19.00	19.00	4.13	20.88
10	18NF 18NR	182 AF	1	4.13	20.75	24.00	20.00	20.75	4.50	24.50	19.75	4.13	22.88
10	20NF 20NR	200 AF	1	4.13	20.75	24.00	20.00	20.75	4.50	24.50	19.75	4.13	22.88
12	20NF 20NR	200 AF	1	4.13	21.25	24.00	24.00	21.25	4.50	29.13	19.75	4.13	24.63
12	22NF 22NR	222 AF	1	4.13	21.25	24.00	24.00	21.25	4.50	29.13	19.75	4.13	24.63
14	20NW 20NF	200 AF	1	4.13	22.50	26.00	27.00	22.50	4.50	30.50	19.75	4.13	24.63
14	22NW 22NF	222 AF	1	4.13	22.50	26.00	27.00	22.50	4.50	30.50	19.75	4.13	24.63
17	22NF 22NR	222 AF	1	4.13	23.50	34.00	25.00	23.50	4.50	37.75	21.25	4.13	24.63
17	24NF 24NR	245 AF	1	4.13	23.50	34.00	25.00	23.50	4.50	37.75	21.25	4.13	24.63
21	20NF 20NR	200 AF	2	4.13	23.50	31.00	33.00	23.50	4.50	39.00	26.00	4.13	20.13
22	27NF 27NR	270 AF	1	16.38	10.50	32.00	30.00	21.00	11.25	39.00	26.00	13.00	21.00
25	22NF 22NR	222 AF	2	4.13	25.00	41.00	30.00	25.00	4.50	46.00	26.00	4.13	20.13
26	30NF 30NR	300 AF	1	21.00	10.50	41.00	30.00	21.00	19.00	45.00	26.00	18.00	21.00
30	24NF 24NR	245 AF	2	4.13	22.25	30.00	49.00	22.25	4.50	49.00	30.00	4.00	18.50
31	30NW 30NF	300 AF	1	21.00	15.00	41.00	36.00	21.00	16.50	50.00	29.00	15.00	21.00

Table 86. Direct-drive plenum fans with low-voltage controls - rectangular full face opening dimensions (inches) for unit sizes 3-31

Unit Size	Fan Type	Fan Size	Fan Qty	Rectangular Openings									
				V	Front Full Face			LV ODS	Side Full Face				LV Inlet
				V1	V2	V3		V4	V5	V6	V7		
3	10NW 10NF	105 AF	1	n/a	n/a	n/a	n/a	n/a	4.50	18.00	13.38	4.13	18.50
4	12NF 12NR	122 AF	1	4.13	5.50	18.38	18.50	20.00	4.50	18.00	18.38	4.13	18.50
4	13NF 13NR	135 AF	1	4.13	5.50	18.38	18.50	20.00	4.50	18.00	18.38	4.13	18.50
6	13NF 12NR	135 AF	1	4.13	5.50	24.63	18.50	20.00	4.50	24.25	18.38	4.13	18.50
6	15NF 15NR	150 AF	1	4.13	5.50	24.63	18.50	20.00	4.50	24.25	18.38	4.13	18.50
8	16NF 16NR	165 AF	1	4.13	5.50	27.13	25.00	20.00	4.50	26.75	21.38	4.13	18.50
8	18NF 18NR	182 AF	1	4.13	5.50	27.13	25.00	20.00	4.50	26.75	21.38	4.13	18.50
10	18NF 18NR	182 AF	1	4.13	5.50	27.13	36.00	20.00	4.50	26.75	24.13	4.13	18.50
10	20NF 20NR	200 AF	1	4.13	5.50	27.13	36.00	20.00	4.50	26.75	24.13	4.13	18.50
12	20NF 20NR	200 AF	1	4.13	5.50	30.88	41.00	20.00	4.50	30.50	25.88	4.13	18.50
12	22NF 22NR	222 AF	1	4.13	5.50	30.88	41.00	20.00	4.50	30.50	25.88	4.13	18.50
14	20NW 20NF	200 AF	1	4.13	5.50	30.88	46.50	20.00	4.50	30.50	25.88	4.13	18.50
14	22NW 22NF	222 AF	1	4.13	5.50	30.88	46.50	20.00	4.50	30.50	25.88	4.13	18.50
17	22NF 22NR	222 AF	1	4.13	5.50	38.38	46.50	20.00	4.50	38.00	27.38	4.13	18.50
17	24NF 24NR	245 AF	1	4.13	5.50	38.38	46.50	20.00	4.50	38.00	27.38	4.13	18.50
21	20NF 20NR	200 AF	2	4.13	5.50	42.13	54.50	20.00	4.50	41.75	27.63	4.13	18.50
22	27NF 27NR	270 AF	1	7.50	10.00	42.75	30.50	21.00	7.50	42.75	34.25	4.75	21.00
25	22NF 22NR	222 AF	2	4.13	5.50	50.88	54.50	20.00	4.50	50.50	27.63	4.13	18.50
26	30NF 30NR	300 AF	1	7.50	10.00	61.00	30.50	21.00	7.50	61.00	39.25	4.75	21.00
30	24NF 24NR	245 AF	2	4.13	5.50	50.88	68.00	20.00	4.50	50.50	30.00	4.00	18.50
31	30NW 30NF	300 AF	1	7.50	10.00	61.00	41.00	21.00	7.50	61.00	39.25	4.75	21.00

Dimensions

Figure 53. Direct-drive plenum fans with low-voltage with round or bell mouth openings for unit sizes 3-31

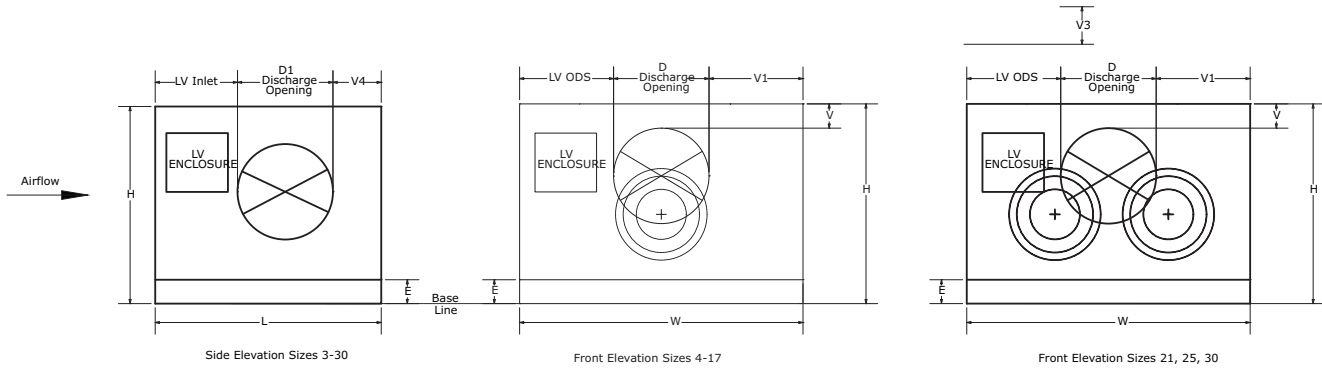


Table 87. Direct-drive plenum fans with low-voltage controls - round opening dimensions (inches) for unit sizes 3-31

Unit Size	Fan Type	Fan Size	Fan Qty	Round Openings									
				Standard Front Openings					Standard Side Openings				
				D	Qty	V	V1	LV ODS	D1	Qty	V3	V4	LV Inlet
3	10NW 10NF	105 AF	1	n/a	n/a	n/a	n/a	n/a	13.00	1	4.50	4.13	18.88
4	12NF 12NR	122 AF	1	16.00	1	4.13	8.00	20.00	16.00	1	4.50	4.13	20.88
4	13NF 13NR	135 AF	1	16.00	1	4.13	8.00	20.00	16.00	1	4.50	4.13	20.88
6	13NF 12NR	135 AF	1	16.00	1	4.13	8.00	20.00	18.00	1	4.50	4.13	18.88
6	15NF 15NR	150 AF	1	16.00	1	4.13	8.00	20.00	18.00	1	4.50	4.13	18.88
8	16NF 16NR	165 AF	1	22.00	1	4.13	8.50	20.00	20.00	1	4.50	4.13	19.88
8	18NF 18NR	182 AF	1	22.00	1	4.13	8.50	20.00	20.00	1	4.50	4.13	19.88
10	18NF 18NR	182 AF	1	20.00	1	4.13	20.75	20.75	24.00	1	4.50	4.13	18.63
10	20NF 20NR	200 AF	1	20.00	1	4.13	20.75	20.75	24.00	1	4.50	4.13	18.63
12	20NF 20NR	200 AF	1	24.00	1	4.13	21.25	21.25	26.00	1	4.50	4.00	18.50
12	22NF 22NR	222 AF	1	24.00	1	4.13	21.25	21.25	26.00	1	4.50	4.00	18.50
14	20NW 20NF	200 AF	1	30.00	1	4.13	21.00	21.00	26.00	1	4.50	4.00	18.50
14	22NW 22NF	222 AF	1	30.00	1	4.13	21.00	21.00	26.00	1	4.50	4.00	18.50
17	22NF 22NR	222 AF	1	32.00	1	4.13	20.00	20.00	26.00	1	4.50	4.13	19.88
17	24NF 24NR	245 AF	1	32.00	1	4.13	20.00	20.00	26.00	1	4.50	4.13	19.88
21	20NF 20NR	200 AF	2	34.00	1	4.13	23.00	23.00	26.00	1	4.50	4.13	20.13

Table 87. Direct-drive plenum fans with low-voltage controls - round opening dimensions (inches) for unit sizes 3-31

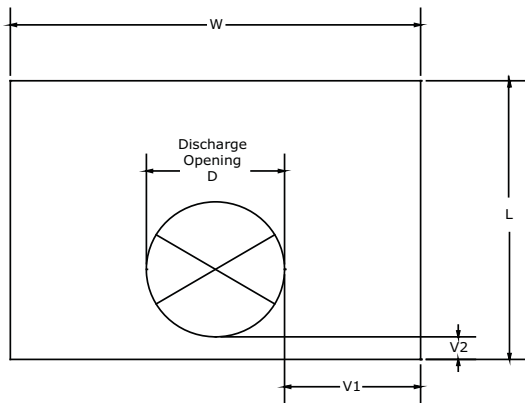
Unit Size	Fan Type	Fan Size	Fan Qty	Round Openings									
				Standard Front Openings					Standard Side Openings				
				D	Qty	V	V1	LV ODS	D1	Qty	V3	V4	LV Inlet
22	27NF 27NR	270 AF	1	30.50	1	17.13	10.00	21.00	34.00	1	15.38	5.00	21.00
25	22NF 22NR	222 AF	2	38.00	1	4.13	21.00	21.00	26.00	1	4.50	4.13	20.13
26	30NF 30NR	300 AF	1	30.50	1	26.25	10.00	21.00	38.00	1	22.50	6.00	21.00
30	24NF 24NR	245 AF	2	42.00	1	4.13	25.75	25.75	30.00	1	4.50	4.00	18.50
31	30NW 30NF	300 AF	1	41.00	1	21.00	10.00	21.00	39.00	1	22.00	5.00	21.00

Direct-drive plenum fans with low-voltage controls - bell mouth opening dimensions (inches) for unit sizes 3-31

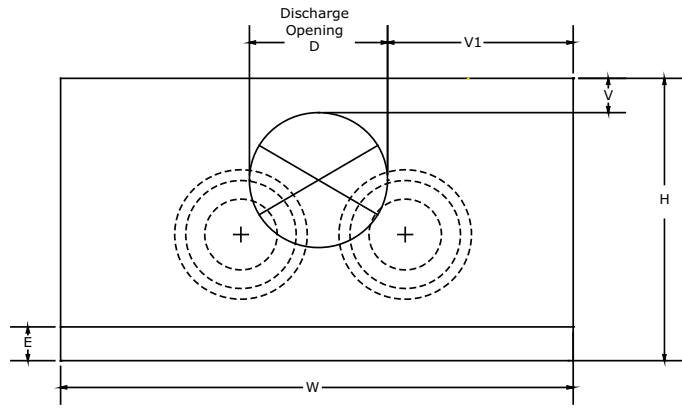
Unit Size	Fan Type	Fan Size	Fan Qty	Bell Mouth									
				Standard Front Openings					Standard Side Openings				
				D	Qty	V	V1	LV ODS	D1	Qty	V3	V4	LV Inlet
3	10NW 10NF	105 AF	1	n/a	n/a	n/a	n/a	n/a	10.00	1	5.63	5.13	20.88
4	12NF 12NR	122 AF	1	16.00	1	5.13	7.00	21.00	16.00	1	5.63	5.13	19.88
4	13NF 13NR	135 AF	1	16.00	1	5.13	7.00	21.00	16.00	1	5.63	5.13	19.88
6	13NF 12NR	135 AF	1	16.00	1	5.13	7.00	21.00	16.00	1	5.63	5.13	19.88
6	15NF 15NR	150 AF	1	16.00	1	5.13	7.00	21.00	16.00	1	5.63	5.13	19.88
8	16NF 16NR	165 AF	1	20.00	1	5.13	9.50	21.00	20.00	1	5.63	4.50	19.50
8	18NF 18NR	182 AF	1	20.00	1	5.13	9.50	21.00	20.00	1	5.63	4.50	19.50
10	18NF 18NR	182 AF	1	20.00	1	5.13	20.50	21.00	20.00	1	5.63	5.13	21.63
10	20NF 20NR	200 AF	1	20.00	1	5.13	20.50	21.00	20.00	1	5.63	5.13	21.63
12	20NF 20NR	200 AF	1	24.00	1	5.13	21.25	21.25	24.00	1	5.63	5.00	19.50
12	22NF 22NR	222 AF	1	24.00	1	5.13	21.25	21.25	24.00	1	5.63	5.00	19.50
14	20NW 20NF	200 AF	1	28.00	1	5.13	22.00	22.00	24.00	1	5.63	5.00	19.50
14	22NW 22NF	222 AF	1	28.00	1	5.13	22.00	22.00	24.00	1	5.63	5.00	19.50
17	22NF 22NR	222 AF	1	28.00	1	5.13	22.00	22.00	24.00	1	5.63	5.13	20.88
17	24NF 24NR	245 AF	1	28.00	1	5.13	22.00	22.00	24.00	1	5.63	5.13	20.88
21	20NF 20NR	200 AF	2	36.00	1	5.13	22.00	22.00	24.00	1	5.63	5.13	21.13
22	27NF 27NR	270 AF	1	28.00	1	18.38	11.50	22.00	32.00	1	16.38	6.00	22.00
25	22NF 22NR	222 AF	2	36.00	1	5.13	22.00	22.00	24.00	1	5.63	5.13	21.13
26	30NF 30NR	300 AF	1	28.00	1	27.50	11.50	22.00	36.00	1	23.50	7.00	22.00
30	24NF 24NR	245 AF	2	42.00	1	5.13	25.75	25.75	28.00	1	5.63	5.00	19.50
31	30NW 30NF	300 AF	1	36.00	1	23.50	14.00	22.00	36.00	1	23.50	7.00	22.00

Dimensions

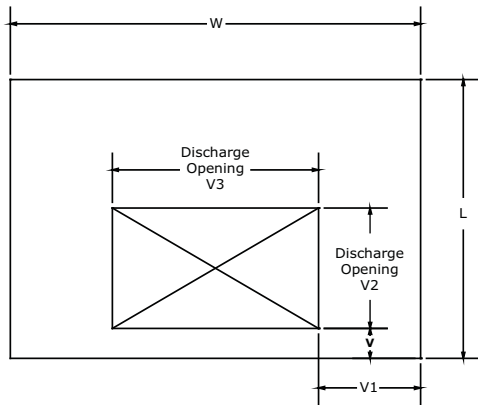
Figure 54. Direct-drive plenum fans - rectangular, round and bell mouth openings for unit sizes 35-57



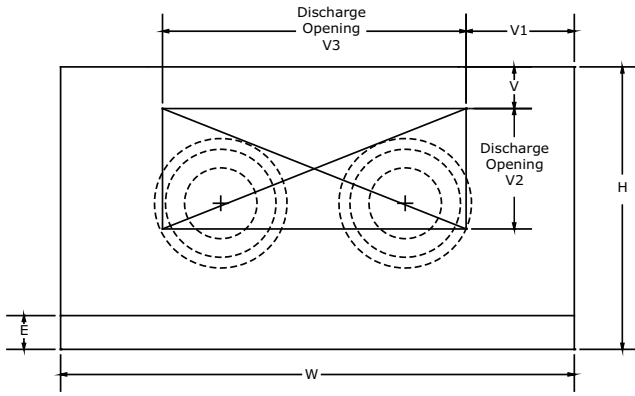
Top/Bottom View Sizes 35-57



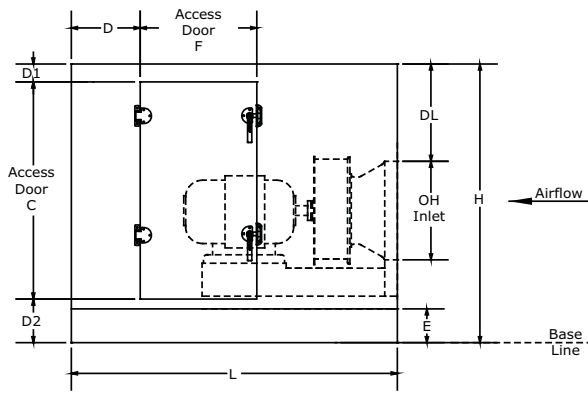
Front Elevation Sizes 35-57



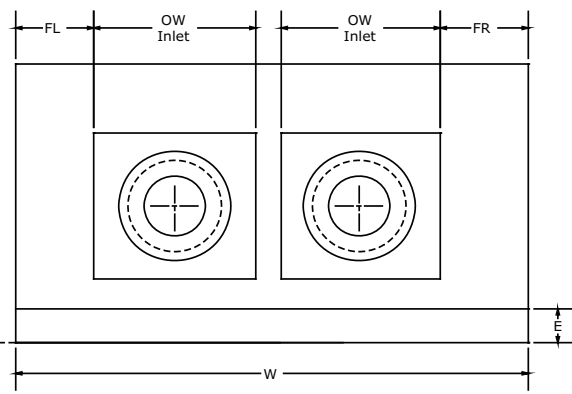
Top/Bottom View Sizes 35-57



Front Elevation Sizes 35-57

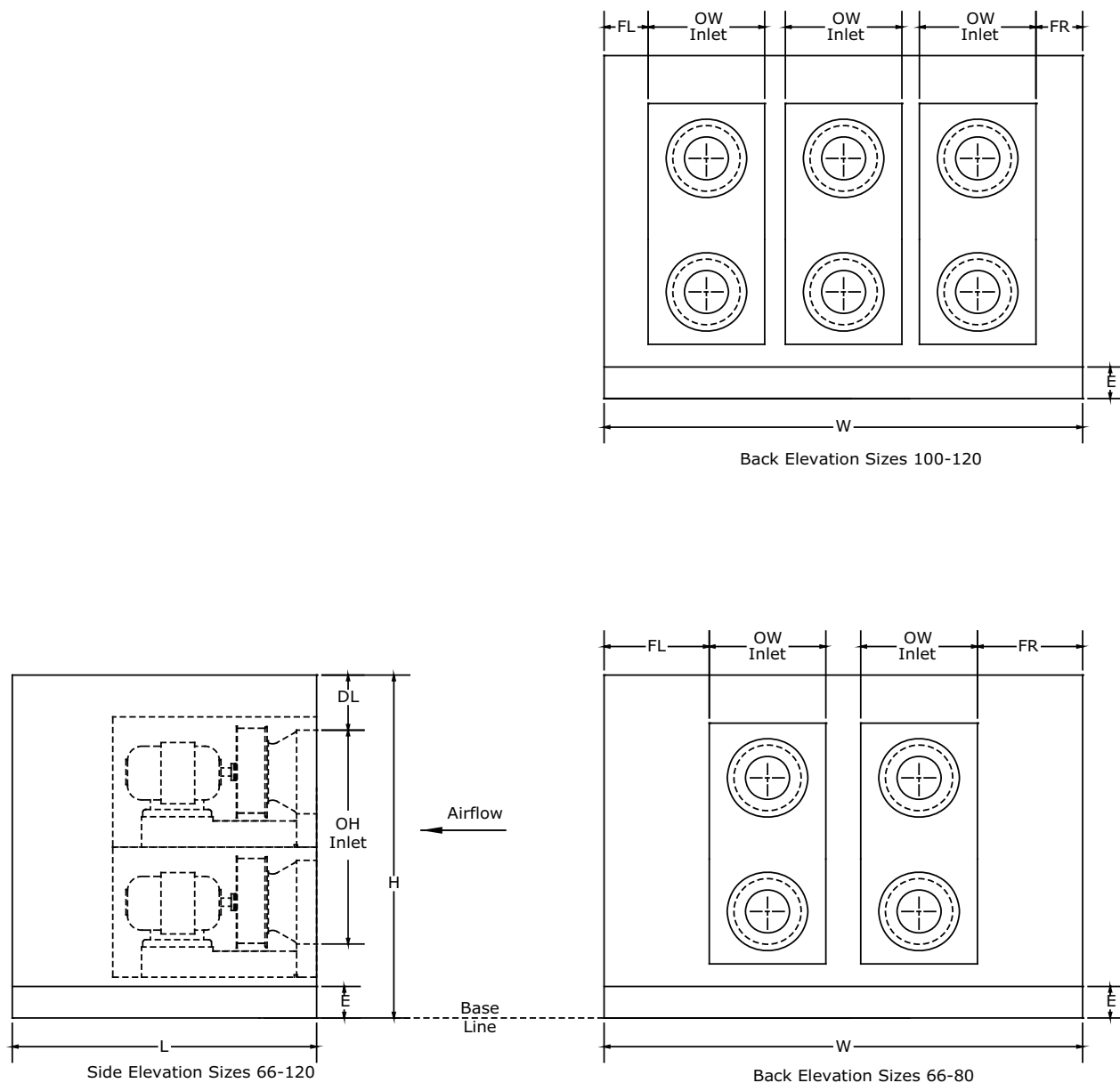


Side Elevation Sizes 35-57



Back Elevation Sizes 35-57

Figure 55. Direct-drive plenum fans - rectangular, round and bell mouth openings for unit sizes 66-120





Dimensions

Table 88. Direct-drive plenum fans - door and inlet dimensions (inches) for unit sizes 35-120

Unit Size	Fan Type	Fan Size	Fan Qty	Door Dimensions				Inlet Dimension									
				W	L	H	E	C	F	D	D1	D2	OH	OW	DL	FR	FL
35	24NW 24NF	245 AF	2	100.00	55.50	67.25	4.50	60.50	22.00	3.13	2.63	4.25	31.75	33.00	22.63	11.88	11.88
36	22SW 22SF	222 AF	2	80.00	53.50	89.00	4.50	n/a	n/a	n/a	n/a	n/a	67.13	26.63	7.38	26.75	26.75
40	27NF 27NR	270 AF	2	112.50	60.00	67.25	4.50	60.50	22.00	7.88	2.63	4.25	34.25	36.63	20.13	14.63	14.63
41	24SW 24SF	245 AF	2	80.00	53.50	104.00	4.50	n/a	n/a	n/a	n/a	n/a	74.13	29.50	14.50	25.38	25.38
50	30NF 30NR	300 AF	2	125.50	65.00	75.75	4.50	69.00	26.75	7.88	2.63	4.25	37.75	40.50	25.13	17.25	17.25
51	22SF 22SR	222 AF	4	93.50	53.50	104.00	4.50	n/a	n/a	n/a	n/a	n/a	67.13	26.63	22.38	14.75	14.75
57	30NF 30NR	300 AF	2	125.50	65.00	85.50	4.50	60.50	26.75	7.88	20.88	4.25	37.75	40.50	34.88	17.25	17.25
58	22SF 22SR	222 AF	4	93.50	53.50	116.25	4.50	n/a	n/a	n/a	n/a	n/a	67.13	26.63	34.63	14.75	14.75
66 ¹	22SW 22SF	222 AF	4	140.50	54.75	92.50	8.00	n/a	n/a	n/a	n/a	n/a	67.13	26.63	7.13	30.25	46.25
80 ¹	24SW 24SF	245 AF	4	140.50	54.75	107.50	8.00	n/a	n/a	n/a	n/a	n/a	74.13	29.50	11.50	34.88	34.88
100 ¹	24SW 24SF	245 AF	6	154.50	54.75	119.75	8.00	n/a	n/a	n/a	n/a	n/a	74.13	29.50	23.75	21.13	21.13
120 ¹	24SW 24SF	245 AF	6	182.00	54.75	119.75	8.00	n/a	n/a	n/a	n/a	n/a	74.13	29.50	23.75	34.88	34.88

Note: ¹Unit sizes 66-120 require a downstream access or discharge plenum. Access doors and/or discharge openings are required in those sections.

Table 89. Direct-drive plenum fans - rectangular opening dimensions (inches) for unit sizes 35-120

Unit Size	Fan Type	Fan Size	Fan Qty	Rectangular Openings															
				Standard Front				Standard Top				Standard Bottom				Standard Side			
				V	V1	V2	V3	V	V1	V2	V3	V	V1	V2	V3	V4	V5	V6	V7
35	24NW 24NF	245 AF	2	16.38	19.50	32.00	61.00	13.25	17.50	29.00	65.00	13.75	20.00	28.00	60.00	8.25	42.00	38.00	8.75
36	22SW 22SF	222 AF	2	n/a	n/a	n/a	n/a	n/a	n/a	n/a	n/a	n/a	n/a	n/a	n/a	n/a	n/a	n/a	n/a
40	27NF 27NR	270 AF	2	16.38	22.75	32.00	67.00	15.50	19.75	29.00	73.00	16.00	21.75	28.00	69.00	8.25	42.00	44.00	8.00
41	24SW 24SF	245 AF	2	n/a	n/a	n/a	n/a	n/a	n/a	n/a	n/a	n/a	n/a	n/a	n/a	n/a	n/a	n/a	n/a
50	30NF 30NR	300 AF	2	18.13	25.25	37.00	75.00	17.00	20.25	31.00	85.00	17.50	22.75	30.00	80.00	14.63	44.00	48.00	8.50
51	22SF 22SR	222 AF	4	n/a	n/a	n/a	n/a	n/a	n/a	n/a	n/a	n/a	n/a	n/a	n/a	n/a	n/a	n/a	n/a
57	30NF 30NR	300 AF	2	20.50	25.25	42.00	75.00	16.00	17.75	33.00	90.00	16.50	20.25	32.00	85.00	14.50	54.00	50.00	7.50
58	22SF 22SR	222 AF	4	n/a	n/a	n/a	n/a	n/a	n/a	n/a	n/a	n/a	n/a	n/a	n/a	n/a	n/a	n/a	n/a
66 ¹	22SW 22SF	222 AF	4	n/a	n/a	n/a	n/a	n/a	n/a	n/a	n/a	n/a	n/a	n/a	n/a	n/a	n/a	n/a	n/a
80 ¹	24SW 24SF	245 AF	4	n/a	n/a	n/a	n/a	n/a	n/a	n/a	n/a	n/a	n/a	n/a	n/a	n/a	n/a	n/a	n/a
100 ¹	24SW 24SF	245 AF	6	n/a	n/a	n/a	n/a	n/a	n/a	n/a	n/a	n/a	n/a	n/a	n/a	n/a	n/a	n/a	n/a
120 ¹	24SW 24SF	245 AF	6	n/a	n/a	n/a	n/a	n/a	n/a	n/a	n/a	n/a	n/a	n/a	n/a	n/a	n/a	n/a	n/a

Note: ¹Unit sizes 66-120 require a downstream access or discharge plenum. Access doors and/or discharge openings are required in those sections.

Table 90. Direct-drive plenum fans - rectangular full face opening dimensions (inches) for unit sizes 35-120

Unit Size	Fan Type	Fan Size	Fan Qty	Rectangular Openings											
				Front Full Face				Top Full Face				Side Full Face			
				V	V1	V2	V3	V	V1	V2	V3	V4	V5	V6	V7
35	24NW 24NF	245 AF	2	7.50	10.00	42.75	80.00	4.50	9.25	46.50	81.50	7.50	42.75	46.00	4.75
36	22SW 22SF	222 AF	2	n/a	n/a	n/a	n/a	n/a	n/a	n/a	n/a	n/a	n/a	n/a	n/a
40	27NF 27NR	270 AF	2	7.50	10.00	42.75	92.50	4.50	9.25	51.00	94.00	7.50	42.75	50.50	4.75
41	24SW 24SF	245 AF	2	n/a	n/a	n/a	n/a	n/a	n/a	n/a	n/a	n/a	n/a	n/a	n/a
50	30NF 30NR	300 AF	2	7.50	10.00	51.25	105.50	4.50	9.25	56.00	107.00	7.50	51.25	55.50	4.75
51	22SF 22SR	222 AF	4	n/a	n/a	n/a	n/a	n/a	n/a	n/a	n/a	n/a	n/a	n/a	n/a
57	30NF 30NR	300 AF	2	7.50	10.00	61.00	105.50	4.50	9.25	56.00	107.00	7.50	61.00	55.50	4.75
58	22SF 22SR	222 AF	4	n/a	n/a	n/a	n/a	n/a	n/a	n/a	n/a	n/a	n/a	n/a	n/a
66 ¹	22SW 22SF	222 AF	4	n/a	n/a	n/a	n/a	n/a	n/a	n/a	n/a	n/a	n/a	n/a	n/a
80 ¹	24SW 24SF	245 AF	4	n/a	n/a	n/a	n/a	n/a	n/a	n/a	n/a	n/a	n/a	n/a	n/a
100 ¹	24SW 24SF	245 AF	6	n/a	n/a	n/a	n/a	n/a	n/a	n/a	n/a	n/a	n/a	n/a	n/a
120 ¹	24SW 24SF	245 AF	6	n/a	n/a	n/a	n/a	n/a	n/a	n/a	n/a	n/a	n/a	n/a	n/a

Note: ¹Unit sizes 66-120 require a downstream access or discharge plenum. Access doors and/or discharge openings are required in those sections.

Table 91. Direct-drive plenum fans - round opening dimensions (inches) for unit sizes 35-120

Unit Size	Fan Type	Fan Size	Fan Qty	Round Openings															
				Standard Front				Standard Top				Standard Bottom				Standard Side			
				D	Qty	V	V1	D	Qty	V1	V2	D	Qty	V1	V2	D1	Qty	V3	V4
35	24NW 24NF	245 AF	2	32.00	2	16.38	12.88	32.00	2	12.88	11.75	32.00	2	12.88	11.75	42.00	1	8.25	6.75
36	22SW 22SF	222 AF	2	n/a	n/a	n/a	n/a	n/a	n/a	n/a	n/a	n/a	n/a	n/a	n/a	n/a	n/a	n/a	n/a
40	27NF 27NR	270 AF	2	34.00	2	15.38	17.13	34.00	2	17.13	13.00	34.00	2	17.13	13.00	42.00	1	8.25	9.00
41	24SW 24SF	245 AF	2	n/a	n/a	n/a	n/a	n/a	n/a	n/a	n/a	n/a	n/a	n/a	n/a	n/a	n/a	n/a	n/a
50	30NF 30NR	300 AF	2	38.00	2	17.63	19.63	36.50	2	21.13	14.25	36.50	2	21.13	14.25	48.00	1	10.38	8.50
51	22SF 22SR	222 AF	4	n/a	n/a	n/a	n/a	n/a	n/a	n/a	n/a	n/a	n/a	n/a	n/a	n/a	n/a	n/a	n/a
57	30NF 30NR	300 AF	2	41.00	2	21.00	16.63	42.00	2	15.63	11.50	42.00	2	15.63	11.50	48.00	1	17.50	8.50
58	22SF 22SR	222 AF	4	n/a	n/a	n/a	n/a	n/a	n/a	n/a	n/a	n/a	n/a	n/a	n/a	n/a	n/a	n/a	n/a
66 ¹	22SW 22SF	222 AF	4	n/a	n/a	n/a	n/a	n/a	n/a	n/a	n/a	n/a	n/a	n/a	n/a	n/a	n/a	n/a	n/a
80 ¹	24SW 24SF	245 AF	4	n/a	n/a	n/a	n/a	n/a	n/a	n/a	n/a	n/a	n/a	n/a	n/a	n/a	n/a	n/a	n/a
100 ¹	24SW 24SF	245 AF	6	n/a	n/a	n/a	n/a	n/a	n/a	n/a	n/a	n/a	n/a	n/a	n/a	n/a	n/a	n/a	n/a
120 ¹	24SW 24SF	245 AF	6	n/a	n/a	n/a	n/a	n/a	n/a	n/a	n/a	n/a	n/a	n/a	n/a	n/a	n/a	n/a	n/a

Note: ¹Unit sizes 66-120 require a downstream access or discharge plenum. Access doors and/or discharge openings are required in those sections.



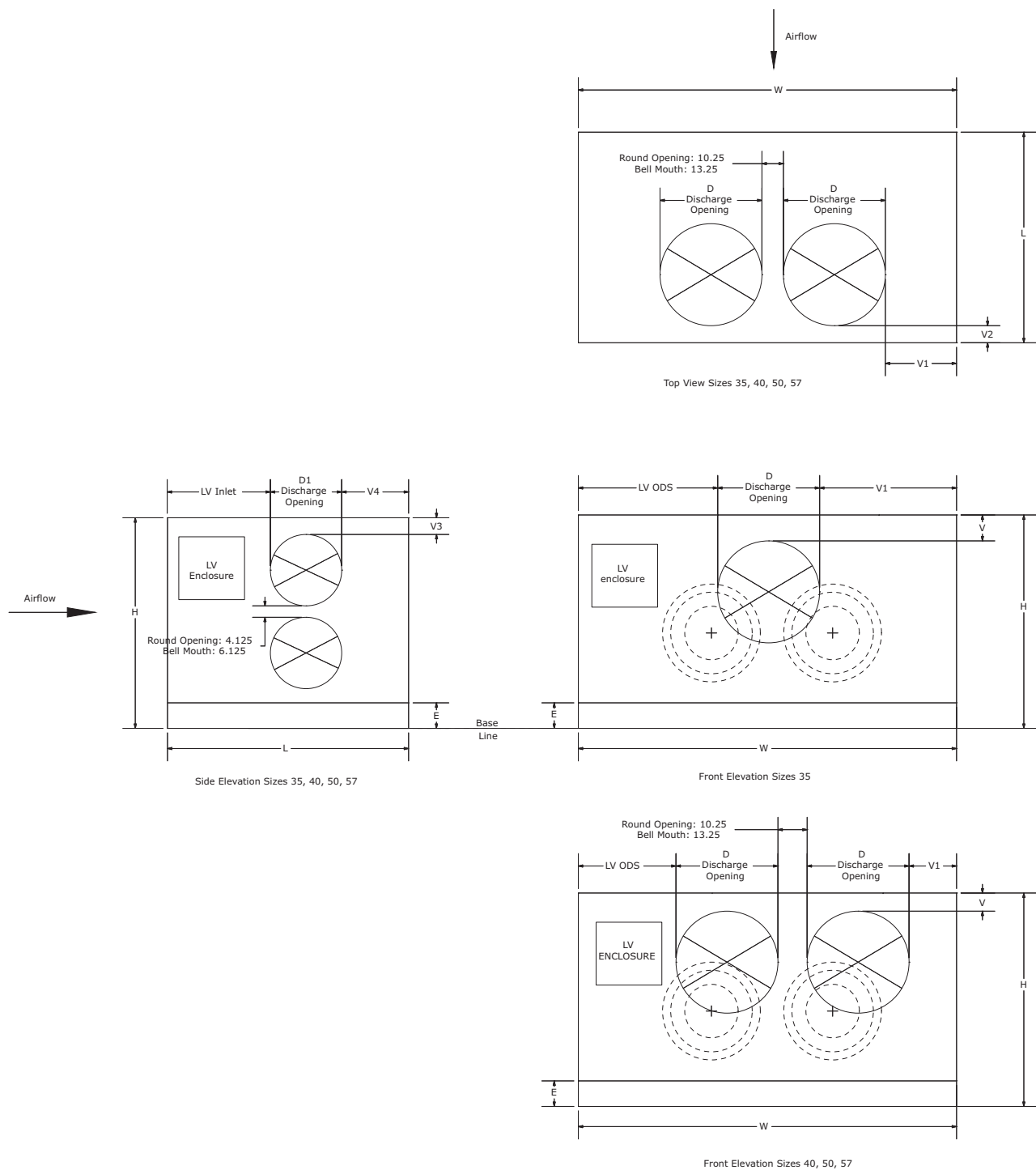
Dimensions

Table 92. Direct-drive plenum fans - bell mouth opening dimensions (inches) for unit sizes 35-120

Unit Size	Fan Type	Fan Size	Fan Qty	Bell mouth															
				Standard Front				Standard Top				Standard Bottom				Standard Side			
				D	Qty	V	V1	D	Qty	V1	V2	D	Qty	V1	V2	D1	Qty	V3	V4
35	24NW 24NF	245 AF	2	32.00	2	16.38	11.38	32.00	2	11.38	11.75	32.00	2	11.38	11.75	36.00	1	11.38	9.75
36	22SW 22SF	222 AF	2	n/a	n/a	n/a	n/a	n/a	n/a	n/a	n/a	n/a	n/a	n/a	n/a	n/a	n/a	n/a	n/a
40	27NF 27NR	270 AF	2	32.00	2	16.38	17.63	32.00	2	17.63	14.00	32.00	2	17.63	14.00	36.00	1	11.38	12.00
41	24SW 24SF	245 AF	2	n/a	n/a	n/a	n/a	n/a	n/a	n/a	n/a	n/a	n/a	n/a	n/a	n/a	n/a	n/a	n/a
50	30NF 30NR	300 AF	2	36.00	2	18.63	20.13	36.00	2	20.13	14.50	36.00	2	20.13	14.50	46.00	1	11.38	9.50
51	22SF 22SR	222 AF	4	n/a	n/a	n/a	n/a	n/a	n/a	n/a	n/a	n/a	n/a	n/a	n/a	n/a	n/a	n/a	n/a
57	30NF 30NR	300 AF	2	36.00	2	23.50	20.13	42.00	2	14.13	11.50	42.00	2	14.13	11.50	46.00	1	18.50	9.50
58	22SF 22SR	222 AF	4	n/a	n/a	n/a	n/a	n/a	n/a	n/a	n/a	n/a	n/a	n/a	n/a	n/a	n/a	n/a	n/a
66 ¹	22SW 22SF	222 AF	4	n/a	n/a	n/a	n/a	n/a	n/a	n/a	n/a	n/a	n/a	n/a	n/a	n/a	n/a	n/a	n/a
80 ¹	24SW 24SF	245 AF	4	n/a	n/a	n/a	n/a	n/a	n/a	n/a	n/a	n/a	n/a	n/a	n/a	n/a	n/a	n/a	n/a
100 ¹	24SW 24SF	245 AF	6	n/a	n/a	n/a	n/a	n/a	n/a	n/a	n/a	n/a	n/a	n/a	n/a	n/a	n/a	n/a	n/a
120 ¹	24SW 24SF	245 AF	6	n/a	n/a	n/a	n/a	n/a	n/a	n/a	n/a	n/a	n/a	n/a	n/a	n/a	n/a	n/a	n/a

Note: ¹Unit sizes 66-120 require a downstream access or discharge plenum. Access doors and/or discharge openings are required in those sections.

Figure 56. Direct-drive plenum fans with low voltage - round and bell mouth openings for unit sizes 35-57





Dimensions

Table 93. Direct-drive plenum fans with low voltage controls - door and inlet dimensions (inches) for unit sizes 35-57

Unit size	Fan type	Fan size	Fan qty	Standard Front				Door Dimensions					Inlet Dimension				
				W	L	H	E	C	F	D	D1	D2	OH	OW	DL	FR	FL
35	24NW 24NF	245 AF	2	100.00	55.50	67.25	4.50	60.50	22.00	3.13	2.63	4.25	31.75	33.00	22.63	11.88	11.88
40	27NF 27NR	270 AF	2	112.50	60.00	67.25	4.50	60.50	22.00	7.88	2.63	4.25	34.25	36.63	20.13	14.63	14.63
50	30NF 30NR	300 AF	2	125.50	65.00	75.75	4.50	69.00	26.75	7.88	2.63	4.25	37.75	40.50	25.13	17.25	17.25
57	30NF 30NR	300 AF	2	125.50	65.00	85.50	4.50	60.50	26.75	7.88	20.88	4.25	37.75	40.50	34.88	17.25	17.25

Table 94. Direct-drive plenum fan with low voltage controls - rectangular opening dimensions (inches) for unit sizes 35-57

Unit size	Fan type	Fan size	Fan qty	Standard Front					Standard Top				Standard Side				
				V	V1	V2	V3	LV ODS	V	V1	V2	V3	V4	V5	V6	V7	LV Inlet
35	24NW 24NF	245 AF	2	16.38	18.00	32.00	61.00	21.00	13.25	17.50	29.00	65.00	7.50	42.75	29.75	4.75	21.00
40	27NF 27NR	270 AF	2	16.38	22.75	32.00	67.00	22.75	15.50	19.75	29.00	73.00	7.50	42.75	34.25	4.75	21.00
50	30NF 30NR	300 AF	2	18.13	25.25	37.00	75.00	25.25	17.00	20.25	31.00	85.00	7.50	51.25	39.25	4.75	21.00
57	30NF 30NR	300 AF	2	20.50	25.25	42.00	75.00	25.25	16.00	17.75	33.00	90.00	7.50	61.00	39.25	4.75	21.00
Unit size	Fan type	Fan size	Fan qty	Front Full Face					Top Full Face				Side Full Face				
				V	V1	V2	V3	LV ODS	V	V1	V2	V3	V4	V5	V6	V7	LV Inlet
35	24NW 24NF	245 AF	35	7.50	10.00	42.75	69.00	21.00	4.50	9.25	40.38	81.50	7.50	42.75	29.75	4.75	21.00
40	27NF 27NR	270 AF	40	7.50	10.00	42.75	81.50	21.00	4.50	9.25	44.88	94.00	7.50	42.75	34.25	4.75	21.00
50	30NF 30NR	300 AF	50	7.50	10.00	51.25	94.50	21.00	4.50	9.25	49.88	107.00	7.50	51.25	39.25	4.75	21.00
57	30NF 30NR	300 AF	57	7.50	10.00	61.00	94.50	21.00	4.50	9.25	49.88	107.00	7.50	61.00	39.25	4.75	21.00

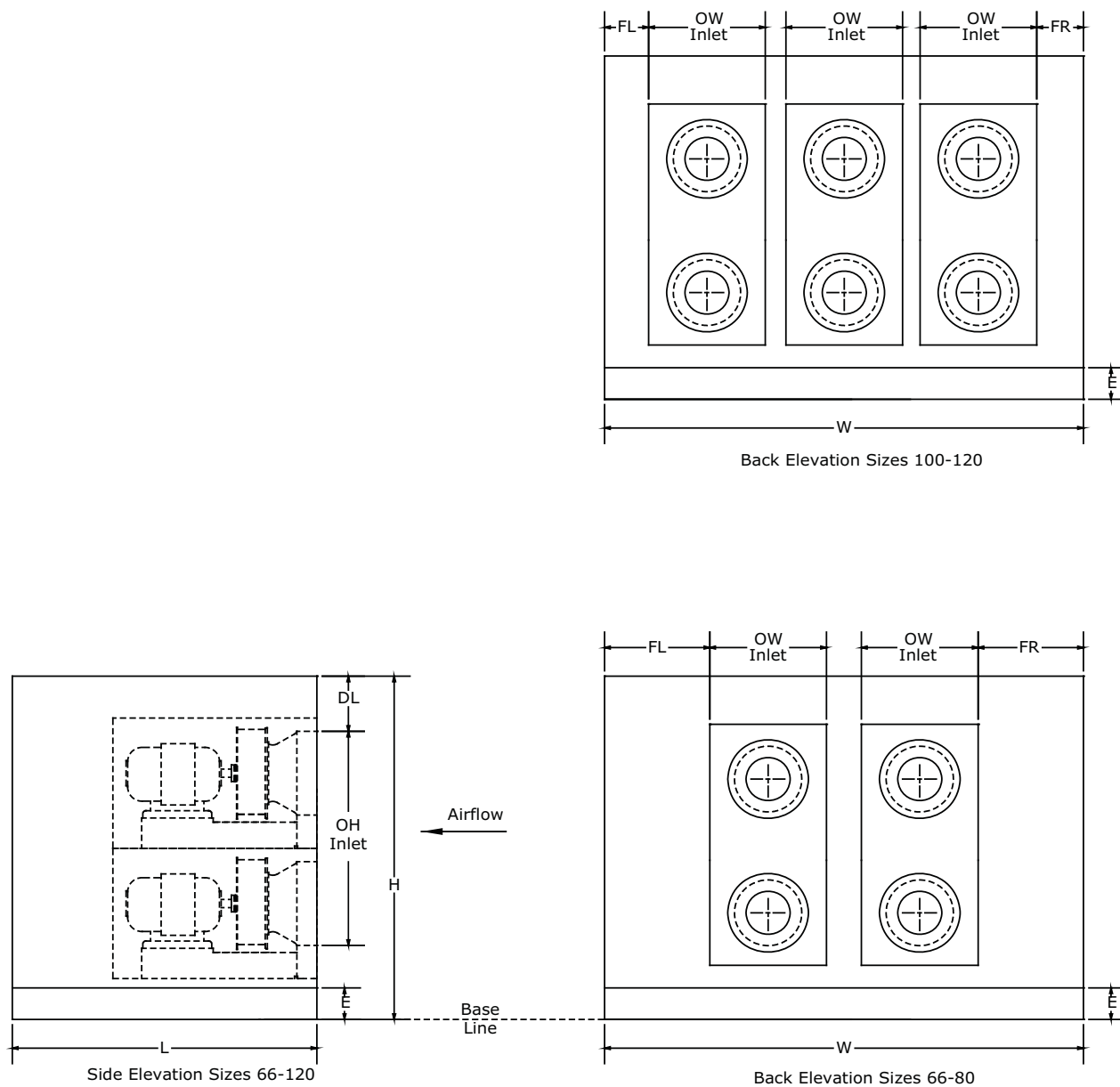
Table 95. Direct-drive plenum fans with low voltage controls - round opening dimensions (inches) for unit sizes 35-57

Unit size	Fan type	Fan size	Fan qty	Standard Front				Standard Top				Standard Side					
				D	Qty	V	V1	LV ODS	D	Qty	V1	V2	D1	Qty	V3	V4	LV Inlet
35	24NW 24NF	245 AF	2	42.00	1	8.25	29.00	29.00	32.00	2	12.88	11.75	22.50	2.00	7.88	12.00	21.00
40	27NF 27NR	270 AF	2	34.00	2	15.38	13.25	21.00	34.00	2	17.13	13.00	22.50	2.00	7.88	16.50	21.00
50	30NF 30NR	300 AF	2	38.00	2	17.63	18.25	21.00	36.50	2	21.13	14.25	23.50	2.00	7.50	20.50	21.00
57	30NF 30NR	300 AF	2	41.00	2	21.00	12.25	21.00	42.00	2	15.63	11.50	28.50	2.00	7.50	15.50	21.00

Table 96. Direct-drive plenum fan with low voltage controls - bell mouth opening dimensions (inches) for unit sizes 35-57

Unit Size	Fan Type	Fan Size	Fan Qty	Standard Front				Standard Top				Standard Side					
				D	Qty	V	V1	LV ODS	D	Qty	V1	V2	D1	Qty	V3	V4	LV Inlet
35	24NW 24NF	245 AF	2	36.00	1	12.75	32.00	32.00	32.00	2	11.38	11.75	20.00	2	9.38	12.38	23.13
40	27NF 27NR	270 AF	2	32.00	2	16.38	13.25	22.00	32.00	2	17.63	14.00	20.00	2	9.38	16.88	23.13
50	30NF 30NR	300 AF	2	36.00	2	18.63	18.25	22.00	36.00	2	20.13	14.50	20.00	2	11.63	21.88	23.13
57	30NF 30NR	300 AF	2	36.00	2	23.50	18.25	22.00	42.00	2	14.13	11.38	24.00	2	13.38	17.88	23.13

Figure 57. Direct-drive plenum fans with low voltage controls - rectangular, round and bell mouth openings for unit sizes 66-120





Dimensions

Table 97. Direct-drive plenum fans with low voltage controls - door and inlet dimensions (inches) for unit sizes 66-120

Unit Size	Fan Type	Fan Size	Fan Qty	Door Dimensions				Inlet Dimension									
				W	L	H	E	C	F	D	D1	D2	OH	OW	DL	FR	FL
66 ¹	22SW 22SF	222 AF	4	140.50	54.75	92.50	8.00	n/a	n/a	n/a	n/a	n/a	67.13	26.63	7.13	30.25	46.25
80 ¹	24SW 24SF	245 AF	4	140.50	54.75	107.50	8.00	n/a	n/a	n/a	n/a	n/a	74.13	29.50	11.50	34.88	34.88
100 ¹	24SW 24SF	245 AF	6	154.50	54.75	119.75	8.00	n/a	n/a	n/a	n/a	n/a	74.13	29.50	23.75	21.13	21.13
120 ¹	24SW 24SF	245 AF	6	182.00	54.75	119.75	8.00	n/a	n/a	n/a	n/a	n/a	74.13	29.50	23.75	34.88	34.88

Note: ¹Unit sizes 66-120 require a downstream access or discharge plenum. Access doors and/or discharge openings are required in those sections.

Table 98. Direct-drive plenum fan with low voltage controls - rectangular opening dimension (inches) for unit sizes 66-120

Unit Size	Fan Type	Fan Size	Fan Qty	Rectangular Openings															
				Standard Front				Standard Top				Standard Bottom				Standard Side			
				V	V1	V2	V3	V	V1	V2	V3	V	V1	V2	V3	V4	V5	V6	V7
66 ¹	22SW 22SF	222 AF	4	n/a	n/a	n/a	n/a	n/a	n/a	n/a	n/a	n/a	n/a	n/a	n/a	n/a	n/a	n/a	n/a
80 ¹	24SW 24SF	245 AF	4	n/a	n/a	n/a	n/a	n/a	n/a	n/a	n/a	n/a	n/a	n/a	n/a	n/a	n/a	n/a	n/a
100 ¹	24SW 24SF	245 AF	6	n/a	n/a	n/a	n/a	n/a	n/a	n/a	n/a	n/a	n/a	n/a	n/a	n/a	n/a	n/a	n/a
120 ¹	24SW 24SF	245 AF	6	n/a	n/a	n/a	n/a	n/a	n/a	n/a	n/a	n/a	n/a	n/a	n/a	n/a	n/a	n/a	n/a

Note: ¹Unit sizes 66-120 require a downstream access or discharge plenum. Access doors and/or discharge openings are required in those sections.

Table 99. Direct-drive plenum fan with low voltage controls - rectangular opening dimension (inches) for unit sizes 66-120

Unit Size	Fan Type	Fan Size	Fan Qty	Rectangular Openings													
				Front Full Face				Top Full Face				Side Full Face					
				V	V1	V2	V3	V	V1	V2	V3	V4	V5	V6	V7		
66 ¹	22SW 22SF	222 AF	4	n/a	n/a	n/a	n/a	n/a	n/a	n/a	n/a	n/a	n/a	n/a	n/a	n/a	n/a
80 ¹	24SW 24SF	245 AF	4	n/a	n/a	n/a	n/a	n/a	n/a	n/a	n/a	n/a	n/a	n/a	n/a	n/a	n/a
100 ¹	24SW 24SF	245 AF	6	n/a	n/a	n/a	n/a	n/a	n/a	n/a	n/a	n/a	n/a	n/a	n/a	n/a	n/a
120 ¹	24SW 24SF	245 AF	6	n/a	n/a	n/a	n/a	n/a	n/a	n/a	n/a	n/a	n/a	n/a	n/a	n/a	n/a

Note: ¹Unit sizes 66-120 require a downstream access or discharge plenum. Access doors and/or discharge openings are required in those sections.

Table 100. Direct-drive plenum fans with low voltage controls - round opening dimensions (inches) for unit sizes 66-120

Unit Size	Fan Type	Fan Size	Fan Qty	Round Openings															
				Standard Front				Standard Top				Standard Bottom				Standard Side			
				D	Qty	V	V1	D	Qty	V1	V2	D	Qty	V1	V2	D1	Qty	V3	V4
66 ¹	22SW 22SF	222 AF	4	n/a	n/a	n/a	n/a	n/a	n/a	n/a	n/a	n/a	n/a	n/a	n/a	n/a	n/a	n/a	n/a
80 ¹	24SW 24SF	245 AF	4	n/a	n/a	n/a	n/a	n/a	n/a	n/a	n/a	n/a	n/a	n/a	n/a	n/a	n/a	n/a	n/a
100 ¹	24SW 24SF	245 AF	6	n/a	n/a	n/a	n/a	n/a	n/a	n/a	n/a	n/a	n/a	n/a	n/a	n/a	n/a	n/a	n/a
120 ¹	24SW 24SF	245 AF	6	n/a	n/a	n/a	n/a	n/a	n/a	n/a	n/a	n/a	n/a	n/a	n/a	n/a	n/a	n/a	n/a

Note: ¹Unit sizes 66-120 require a downstream access or discharge plenum. Access doors and/or discharge openings are required in those sections.

Table 101. Direct-drive plenum fan with low voltage controls - bell mouth opening dimension (inches) for unit sizes 66-120

Unit Size	Fan Type	Fan Size	Fan Qty	Bell mouth															
				Standard Front				Standard Top				Standard Bottom				Standard Side			
				D	Qty	V	V1	D	Qty	V1	V2	D	Qty	V1	V2	D1	Qty	V3	V4
66 ¹	22SW 22SF	222 AF	4	n/a	n/a	n/a	n/a	n/a	n/a	n/a	n/a	n/a	n/a	n/a	n/a	n/a	n/a	n/a	n/a
80 ¹	24SW 24SF	245 AF	4	n/a	n/a	n/a	n/a	n/a	n/a	n/a	n/a	n/a	n/a	n/a	n/a	n/a	n/a	n/a	n/a
100 ¹	24SW 24SF	245 AF	6	n/a	n/a	n/a	n/a	n/a	n/a	n/a	n/a	n/a	n/a	n/a	n/a	n/a	n/a	n/a	n/a
120 ¹	24SW 24SF	245 AF	6	n/a	n/a	n/a	n/a	n/a	n/a	n/a	n/a	n/a	n/a	n/a	n/a	n/a	n/a	n/a	n/a

Note: ¹Unit sizes 66-120 require a downstream access or discharge plenum. Access doors and/or discharge openings are required in those sections.



Dimensions

Filters

Filter Sizes

Table 102. Select the filter type

Filter Type	Unit Size	3	4	6	8	10	12	
Side-load 2-in. and 4-in. flat filter and 2-in./4-in. high efficiency combination filter	Area (ft ²)	3.47	5.56	6.94	7.33	9.72	13.33	
	Qty-Size	1 - 20x25	2 - 20x20	2 - 20x25	1 - 24x20 1 - 24x24	2 - 20x25 1 - 16x25	3 - 16x20 3 - 16x20	
Side-load 2-in. and 4-in. angled filter	Area (ft ²)	5.56	8.89	8.89	11.11	13.89	16.67	
	Qty-Size	2 - 16x25	4 - 16x20	4 - 16x20	4 - 20x20	4 - 25x20	6 - 20x20	
Side-load bag/cartridge filter and pre-filter	Area (ft ²)	3.33	5.56	6.67	8.00	8.67	12.33	
	Qty-Size	1 - 20x24	2 - 20x20	2 - 24x20	4 - 24x12	2 - 24x20 1 - 24x12	3 - 20x20 2 - 12x24	
Front-load bag/cartridge filter and pre-filter	Area	2.00	2.00	6.00	6.00	8.00	10.00	
	Qty-Size	1 - 12x24	1 - 12x24	1 - 24x24 1 - 24x12	1 - 12x24 1 - 24x24	1 - 24x30 1 - 24x24	1 - 12x24 2 - 24x24	
Front-load HEPA filters	Area	2.00	2.00	6.00	7.00	9.00	10.00	
	Qty-Size	1 - 12x24	1 - 12x24	1 - 24x24 1 - 24x12	1 - 24x30 1 - 24x12	1 - 24x30 1 - 24x24	2 - 30x24	
Filter Type	Unit Size	14	17	21	22	25	26	
Side-load 2-in. and 4-in. flat filter and 2-in./4-in. high efficiency combination filter	Area (ft ²)	14.44	18.89	21.53	21.11	27.11	29.17	
	Qty-Size	4 - 16x20 2 - 16x25	4 - 20x24 2 - 20x20	3 - 25x20 1 - 25x16 3 - 16x25	4 - 20x20 2 - 20x16 2 - 16x25	6 - 20x20 2 - 20x16 3 - 12x24	6 - 25x20 3 - 25x16	
Side-load 2-in. and 4-in. angled filter	Area (ft ²)	18.06	28.89	33.33	33.33	50.00	44.44	
	Qty-Size	2 - 20x25 4 - 20x20	4 - 16x25 8 - 16x20	12 - 25x16	12 - 25x16	18 - 25x16	16 - 25x16	
Side-load bag/cartridge filter and pre-filter	Area (ft ²)	13.44	18.89	22.00	17.33	26.00	26.00	
	Qty-Size	2 - 20x24 1 - 20x20 2 - 12x24	4 - 20x24 2 - 20x20	3 - 24x24 3 - 20x24	4 - 24x20 2 - 24x12	6 - 20x24 3 - 12x24	6 - 24x20 3 - 24x12	
Front-load bag/cartridge filter and pre-filter	Area	10.00	14.00	18.00	18.00	24.00	24.00	
	Qty-Size	1 - 24x12 2 - 24x24	2 - 12x24 1 - 24x12 2 - 24x24	3 - 12x24 3 - 24x24	1 - 12x24 4 - 24x24	6 - 24x24	6 - 24x24	
Front-load HEPA filters	Area	10.00	14.00	21.00	19.00	24.00	27.00	
	Qty-Size	2 - 30x24	2 - 24x30 2 - 12x24	3 - 30x24 3 - 12x24	1 - 24x30 1 - 24x24 2 - 30x24	4 - 24x30 2 - 24x12	3 - 24x30 3 - 24x24	
Filter Type	Unit Size	30	31	35	36	40	41	50
Side-load 2-in. and 4-in. flat filter and 2-in./4-in. high efficiency combination filter	Area (ft ²)	30.44	35.42	37.22	40.00	40.83	48.22	55.00
	Qty-Size	6 - 20x24 2 - 20x16 3 - 12x24	9 - 25x16 3 - 25x20	8 - 20x24 3 - 16x25 1 - 16x20	9 - 20x20 3 - 20x16 3 - 16x25	8 - 20x20 2 - 20x25 4 - 16x20 1 - 16x25	12 - 20x20 4 - 20x16 3 - 12x24	12 - 25x20 4 - 16x25 1 - 16x20
Side-load 2-in. and 4-in. angled filter	Area (ft ²)	56.67	57.78	63.33	62.50	70.00	66.67	100.00
	Qty-Size	6 - 16x25 18 - 16x20	8 - 16x25 16 - 16x20	18 - 16x25 6 - 16x20	18 - 25x20	6 - 16x25 24 - 16x20	24 - 16x25	36 - 20x20
Side-load bag/cartridge filter and pre-filter	Area (ft ²)	28.22	34.00	34.67	36.00	36.00	48.00	50.00
	Qty-Size	8 - 20x20 3 - 12x24	6 - 24x24 3 - 24x20	8 - 20x24 4 - 12x24	9 - 24x24	8 - 24x24 2 - 24x12	12 - 24x24	10 - 24x24 5 - 12x24
Front-load bag/cartridge filter and pre-filter	Area	28.00	30.00	34.00	36.00	38.00	46.00	50.00
	Qty-Size	2 - 12x24 6 - 24x24	3 - 24x12 6 - 24x24	3 - 12x24 2 - 24x12 6 - 24x24	9 - 24x24	3 - 12x24 8 - 24x24	1 - 12x24 11 - 24x24	5 - 12x24 10 - 24x24

Table 102. Select the filter type

Filter Type	Unit Size	30	31	35	36	40	41	50	
Front-load HEPA filters	Area	28.00	30.00	30.00	36.00	37.00	45.00	46.00	
	Qty-Size	4 - 24x30	6 - 24x30	3 - 24x30	9 - 24x24	3 - 24x30	9 - 30x24	6 - 24x30	
		2 - 24x24		3 - 30x24		1 - 24x12		2 - 24x24	
						4 - 30x24	4 - 12x24		
Filter Type	Unit Size	51	57	58	66	80	100	120	
Side-load 2-in. and 4-in. flat filter and 2-in./4-in. high efficiency combination filter	Area (ft ²)	54.89	63.33	61.11	75.56	85.56	104.17	122.22	
	Qty-Size	12 - 20x24	12 - 20x25	15 - 20x24	20 - 20x24	20 - 20x24		32 - 25x20	
		4 - 20x16	3 - 20x20	5 - 20x16	4 - 20x16	4 - 20x16	30 - 20x25	4 - 25x16	
3 - 12x24		4 - 16x25	1 - 16x20		5 - 12x24				
	Area (ft ²)	94.44	100.00	98.89	113.33	151.11	166.67	194.44	
Side-load 2-in. and 4-in. angled filter	Qty-Size	24 - 20x20	36 - 20x20	32 - 16x20	36 - 20x20	48 - 20x20	48 - 20x25	56 - 25x20	
		8 - 20x25		8 - 20x25	6 - 16x20	8 - 16x20			
Side-load bag/cartridge filter and pre-filter	Area (ft ²)	56.00	60.00	62.00	66.67	88.00	113.33	134.00	
	Qty-Size	12 - 24x24	15 - 24x24	12 - 24x24	20 - 20x24	20 - 24x24	28 - 24x20	28 - 24x24	
		4 - 24x12		4 - 24x12		4 - 24x12	4 - 24x12	4 - 24x12	
			3 - 12x24			6 - 12x24	7 - 12x24		
Front-load bag/cartridge filter and pre-filter	Area	54.00	60.00	62.00	66.00	86.00	106.00	124.00	
	Qty-Size	1 - 12x24		3 - 12x24	3 - 24x12	1 - 12x24	5 - 12x24	6 - 12x24	
		4 - 24x12	15 - 24x24	4 - 24x12	15 - 24x24	4 - 12x24	24 - 24x24	28 - 24x24	
11 - 24x24			12 - 24x24		19 - 24x24				
Front-load HEPA filters	Area	48.00	57.00	56.00	66.00	76.00	102.00	119.00	
	Qty-Size	6 - 24x30					12 - 24x30	18 - 30x24	21 - 30x24
		2 - 24x24	9 - 24x30	8 - 24x30	12 - 24x30	3 - 24x12	3 - 24x12	6 - 12x24	7 - 12x24
		1 - 24x24	3 - 24x24	4 - 24x24	3 - 24x12				
							5 - 12x24		

Side-loading 2-inch and 4-inch Flat Filter Section

Figure 58. 2-inch and 4-inch flat filter section - side loading

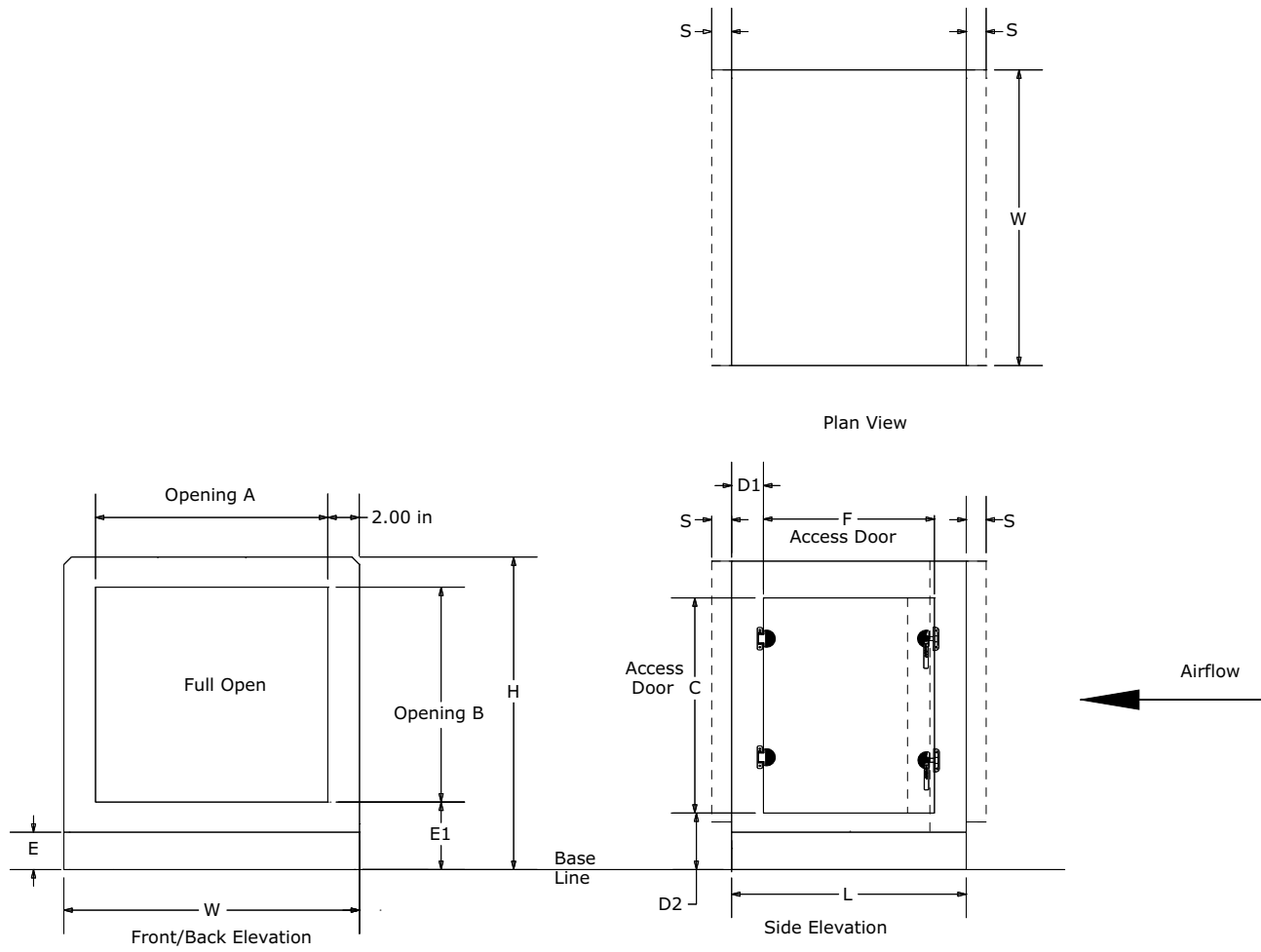


Table 103.2-inch and 4-inch flat filter section dimensions (inches) - side loading

Unit Size	W	H	L	Front/Back Opening		Outward Door				Base ²		S ¹
				A	B	C	F	D1	D2	E	E1	
3	31.50	29.00	14.00	27.50	22.50	22.25	9.88	2.13	4.25	2.50	4.50	1.00
4	44.00	29.00	14.00	40.00	22.50	22.25	9.88	2.13	4.25	2.50	4.50	1.00
6	44.00	35.25	14.00	40.00	28.75	28.50	9.88	2.13	4.25	2.50	4.50	1.00
8	50.50	37.75	14.00	46.50	31.25	31.00	9.88	2.13	4.25	2.50	4.50	1.00
10	61.50	37.75	14.00	57.50	31.25	31.00	9.88	2.13	4.25	2.50	4.50	1.00
12	66.50	41.50	14.00	62.50	35.00	34.75	9.88	2.13	4.25	2.50	4.50	1.00
14	72.00	41.50	14.00	68.00	35.00	34.75	9.88	2.13	4.25	2.50	4.50	1.00
17	72.00	49.00	14.00	68.00	42.50	42.25	9.88	2.13	4.25	2.50	4.50	1.00
21	80.00	52.75	14.00	76.00	46.25	46.00	9.88	2.13	4.25	2.50	4.50	1.00
22	61.50	67.30	14.00	57.50	60.75	60.50	9.88	2.13	4.25	2.50	4.50	1.00
25	80.00	61.50	14.00	76.00	55.00	54.75	9.88	2.13	4.25	2.50	4.50	1.00
26	61.50	85.50	14.00	57.50	79.00	78.75	9.88	2.13	4.25	2.50	4.50	1.00
30	93.50	61.50	14.00	89.50	55.00	54.75	9.88	2.13	4.25	2.50	4.50	1.00
31	72.00	85.50	14.00	68.00	79.00	78.75	9.88	2.13	4.25	2.50	4.50	1.00
35	100.00	67.25	14.00	96.00	60.75	60.5	9.88	2.13	4.25	2.50	4.50	1.00
36	80.00	89.00	14.00	76.00	82.50	82.25	9.88	2.13	4.25	2.50	4.50	1.00
40	112.50	67.25	14.00	108.50	60.75	60.50	9.88	2.13	4.25	2.50	4.50	1.00
41	80.00	104.00	14.00	76.00	97.50	97.25	9.88	2.13	4.25	2.50	4.50	1.00
50	125.50	75.75	14.00	121.50	69.25	69.00	9.88	2.13	4.25	2.50	4.50	1.00
51	93.50	104.00	14.00	89.50	97.50	97.25	9.88	2.13	4.25	2.50	4.50	1.00
57	125.50	85.50	14.00	121.50	79.00	78.75	9.88	2.13	4.25	2.50	4.50	1.00
58	93.50	116.00	14.00	89.50	109.75	109.50	9.88	2.13	4.25	2.50	4.50	1.00
66	140.50	92.50	15.00	136.50	82.50	82.25	10.88	2.13	7.75	6.00	8.00	1.00
80	140.50	107.50	15.00	136.50	97.50	97.25	10.88	2.13	7.75	6.00	8.00	1.00
100	154.50	119.75	15.00	150.50	109.75	109.50	10.88	2.13	7.75	6.00	8.00	1.00
120	182.00	119.75	15.00	178.00	109.75	109.50	10.88	2.13	7.75	6.00	8.00	1.00

Note: ¹ Shipping split flange dimension is for shipping and installation planning purposes only and does not add to installed overall unit length. ² Base line includes the height for standard 2.5-inch integral base frame on unit sizes 3-57 and 6-inch integral base frame on unit sizes 66-120.

Dimensions

Figure 59. 2-inch and 4-inch flat filter placement for unit sizes 3-50 - side loading

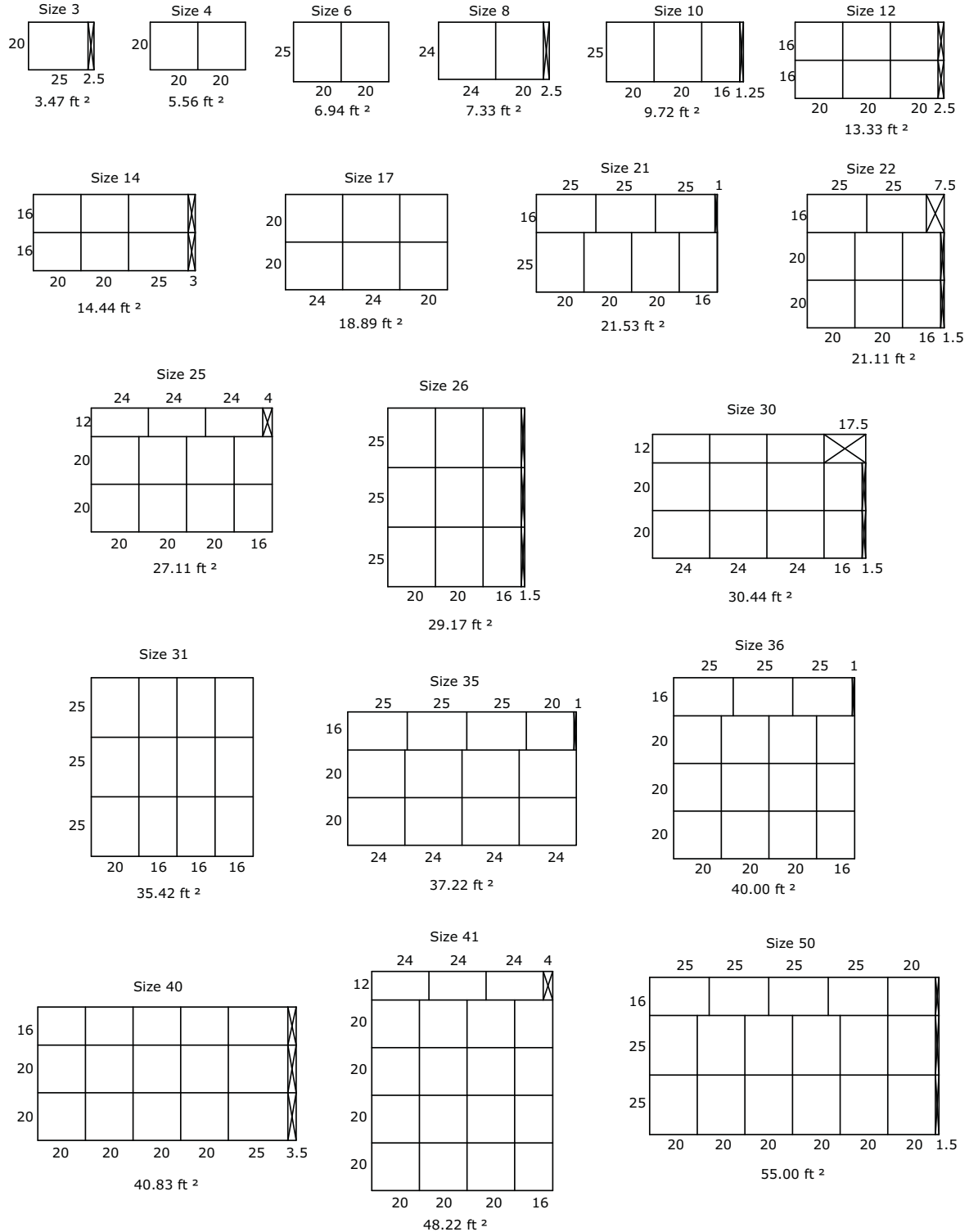
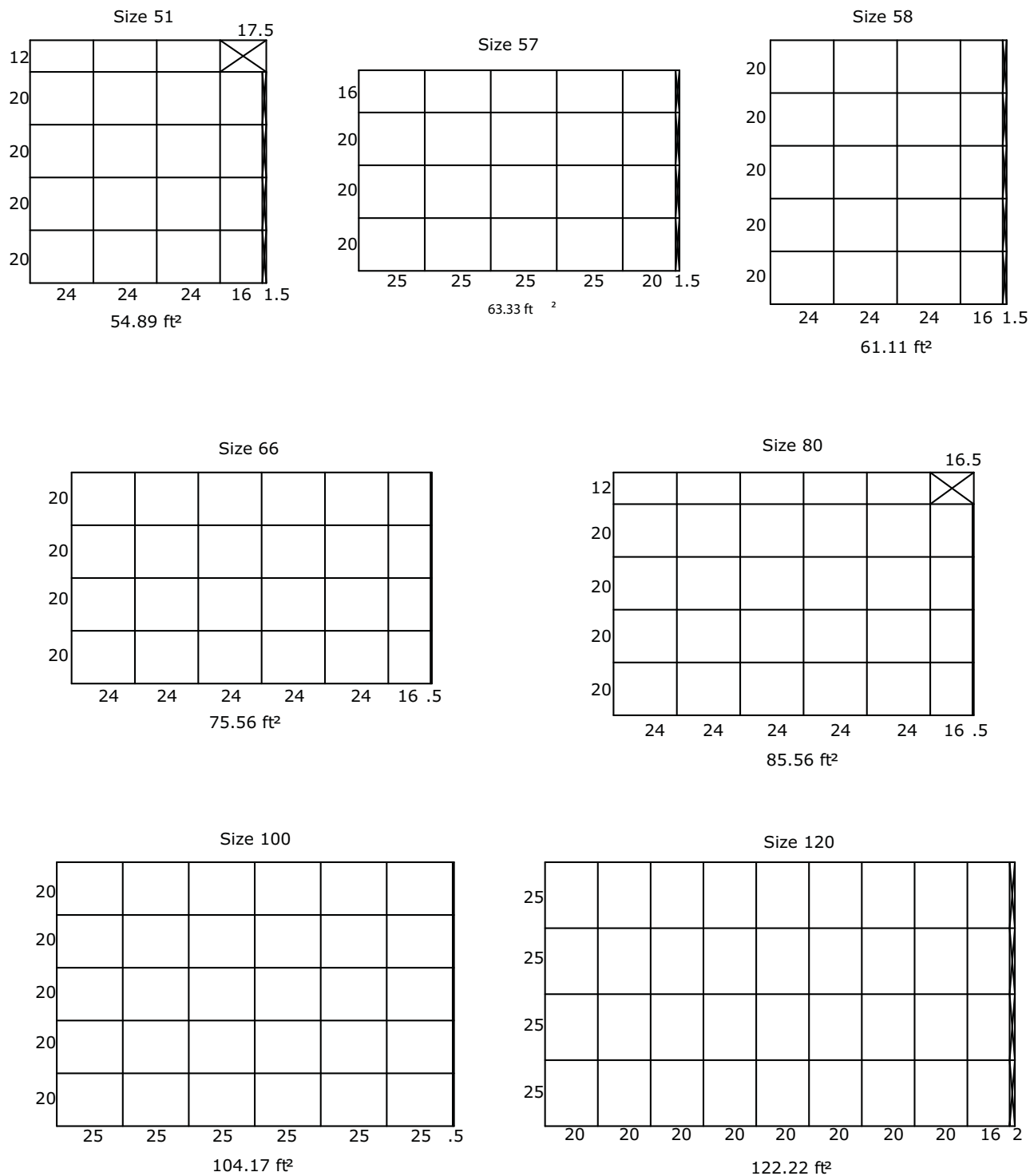


Figure 60. 2-inch and 4-inch flat filter placement for unit sizes 51-120 - side loading



Dimensions

2-inch/4-inch Combination Flat Filter Section - Side Loading

Figure 61. 2-inch/4-inch combination flat filter section - side loading

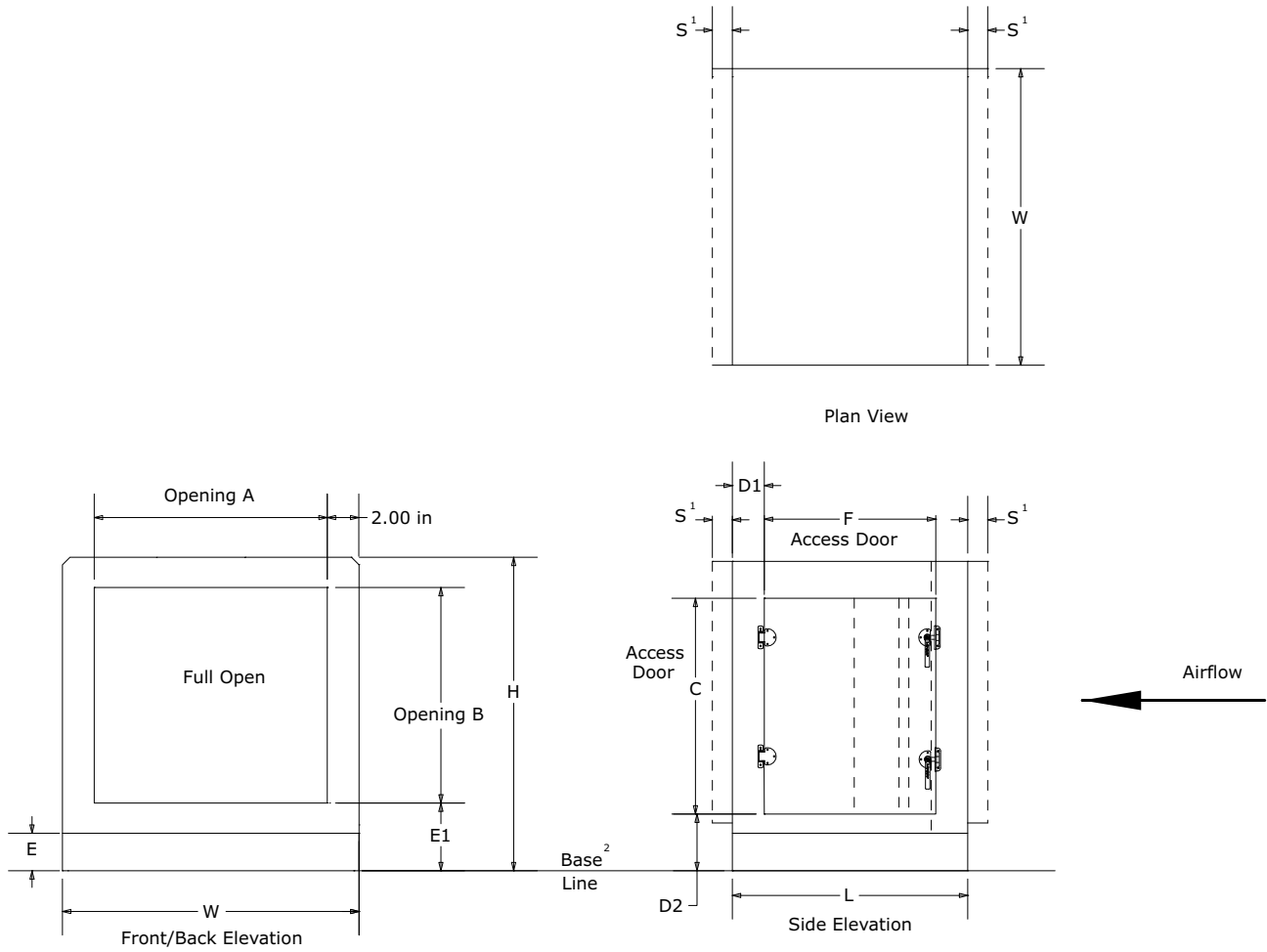


Table 104. 2-inch/4-inch combination flat filter section dimensions (inches) - side loading

Unit Size	W	H	L	Front/Back Opening		Outward Door				Base ²		S ¹
				A	B	C	F	D1	D2	E	E1	
3	31.50	29.00	19.00	27.50	22.50	22.25	14.88	2.13	4.25	2.50	4.50	1.00
4	44.00	29.00	19.00	40.00	22.50	22.25	14.88	2.13	4.25	2.50	4.50	1.00
6	44.00	35.25	19.00	40.00	28.75	28.50	14.88	2.13	4.25	2.50	4.50	1.00
8	50.50	37.75	19.00	46.50	31.25	31.00	14.88	2.13	4.25	2.50	4.50	1.00
10	61.50	37.75	19.00	57.50	31.25	31.00	14.88	2.13	4.25	2.50	4.50	1.00
12	66.50	41.50	19.00	62.50	35.00	34.75	14.88	2.13	4.25	2.50	4.50	1.00
14	72.00	41.50	19.00	68.00	35.00	34.75	14.88	2.13	4.25	2.50	4.50	1.00
17	72.00	49.00	19.00	68.00	42.50	42.25	14.88	2.13	4.25	2.50	4.50	1.00
21	80.00	52.75	19.00	76.00	46.25	46.00	14.88	2.13	4.25	2.50	4.50	1.00
22	61.50	67.25	19.00	57.50	60.75	60.50	14.90	2.13	4.25	2.50	4.50	1.00
25	80.00	61.50	19.00	76.00	55.00	54.75	14.88	2.13	4.25	2.50	4.50	1.00
26	61.50	85.50	19.00	57.50	79.00	78.75	14.90	2.13	4.25	2.5	4.50	1.00
30	93.50	61.50	19.00	89.50	55.00	54.75	14.88	2.13	4.25	2.50	4.50	1.00
31	72.00	85.50	19.00	68.00	79.00	78.75	14.90	2.13	4.25	2.50	4.50	1.00
35	100.00	67.25	19.00	96.00	60.75	60.50	14.88	2.13	4.25	2.50	4.50	1.00
36	80.00	89.00	19.00	76.00	82.50	82.25	14.90	2.13	4.25	2.50	4.50	1.00
40	112.50	67.25	19.00	108.50	60.75	60.50	14.88	2.13	4.25	2.50	4.50	1.00
41	80.00	104.00	19.00	76.00	97.50	97.25	14.90	2.13	4.25	2.50	4.50	1.00
50	125.50	75.75	19.00	121.50	69.25	69.00	14.88	2.13	4.25	2.50	4.50	1.00
51	93.50	104.00	19.00	89.50	97.50	97.25	14.90	2.13	4.25	2.50	4.50	1.00
57	125.50	85.50	19.00	121.50	79.00	78.75	14.88	2.13	4.25	2.50	4.50	1.00
58	93.50	116.30	19.00	89.50	109.75	109.50	14.90	2.13	4.25	2.50	4.50	1.00
66	140.50	92.50	19.00	136.50	82.50	82.25	14.88	2.13	7.75	6.00	8.00	1.00
80	140.50	107.50	19.00	136.50	97.50	97.25	14.88	2.13	7.75	6.00	8.00	1.00
100	154.50	119.75	19.00	150.50	109.75	109.50	14.88	2.13	7.75	6.00	8.00	1.00
120	182.00	119.75	19.00	178.00	109.75	109.50	14.88	2.13	7.75	6.00	8.00	1.00

Note: ¹ Shipping split flange dimension is for shipping and installation planning purposes only and does not add to installed overall unit length. ² Base line includes the height for standard 2.5-inch integral base frame on unit sizes 3-57 and 6-inch integral base frame on unit sizes 66-120.

Figure 62. 2-inch/4-inch combination flat filter placement for unit sizes 3-50 - side loading

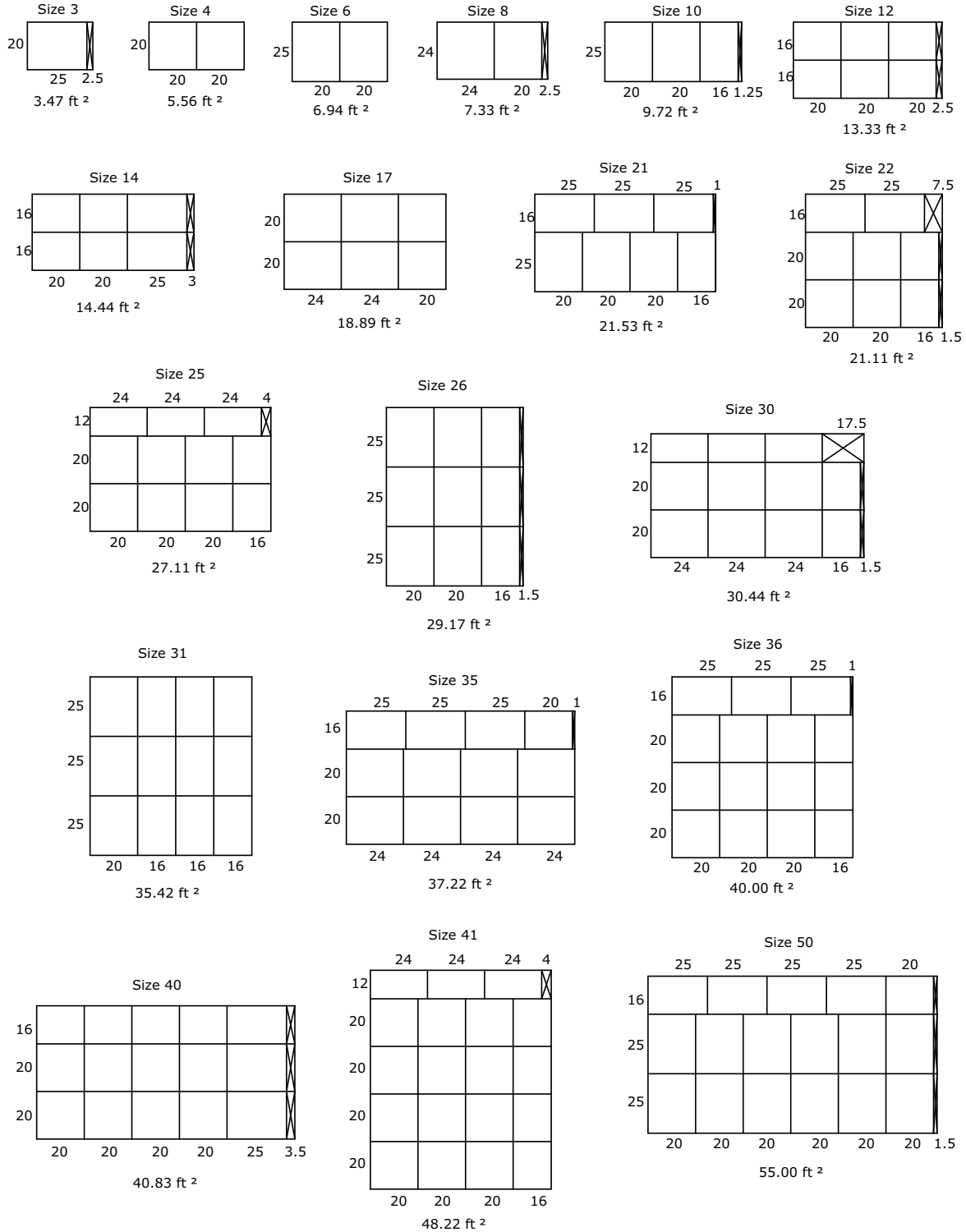
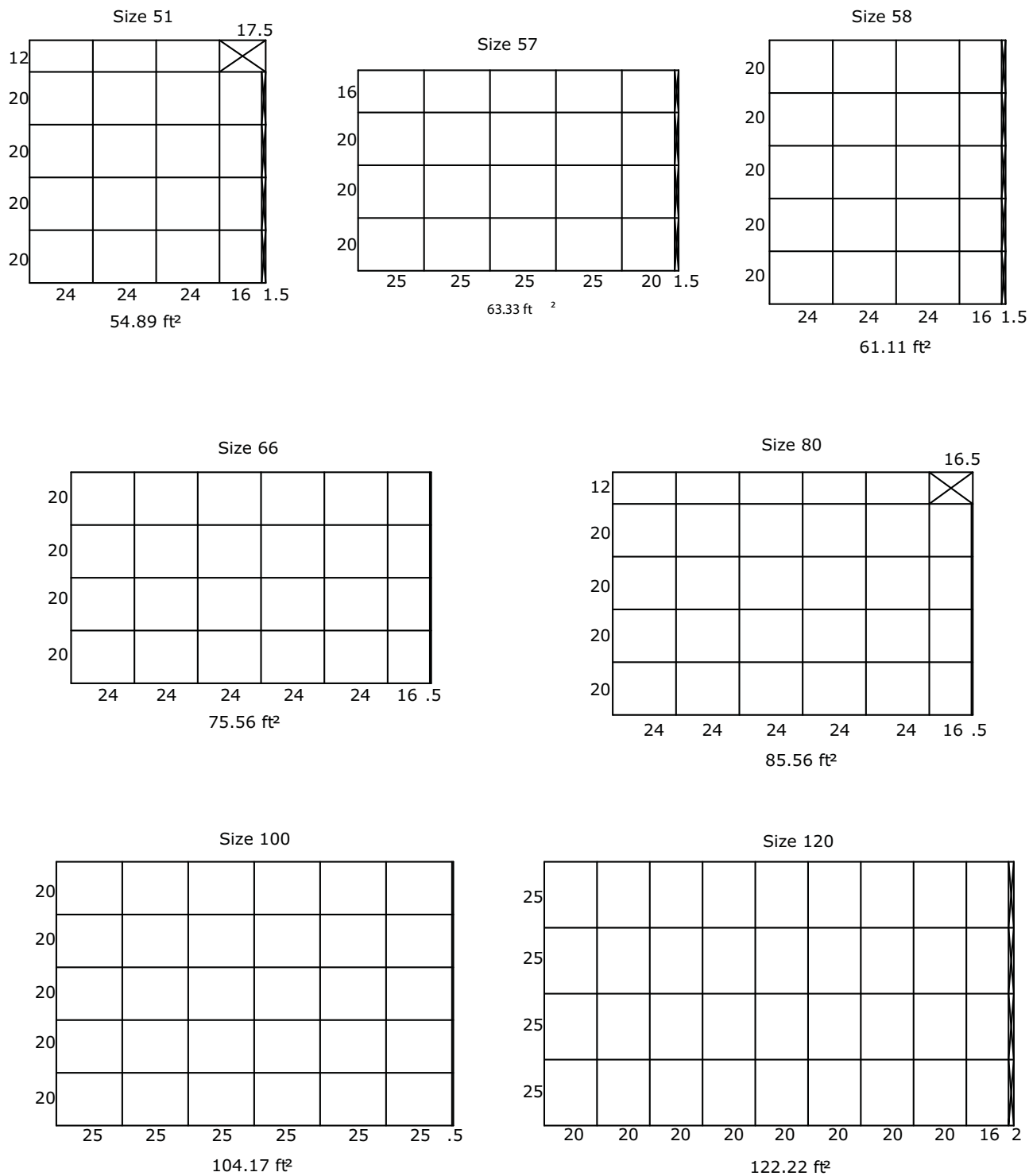


Figure 63. 2-inch/4-inch combination flat filter placement for unit sizes 51-120 - side loading



2-inch and 4-inch Angled Filter Section - Side Loading

Figure 64. 2-inch and 4-inch angled filter section - side loading

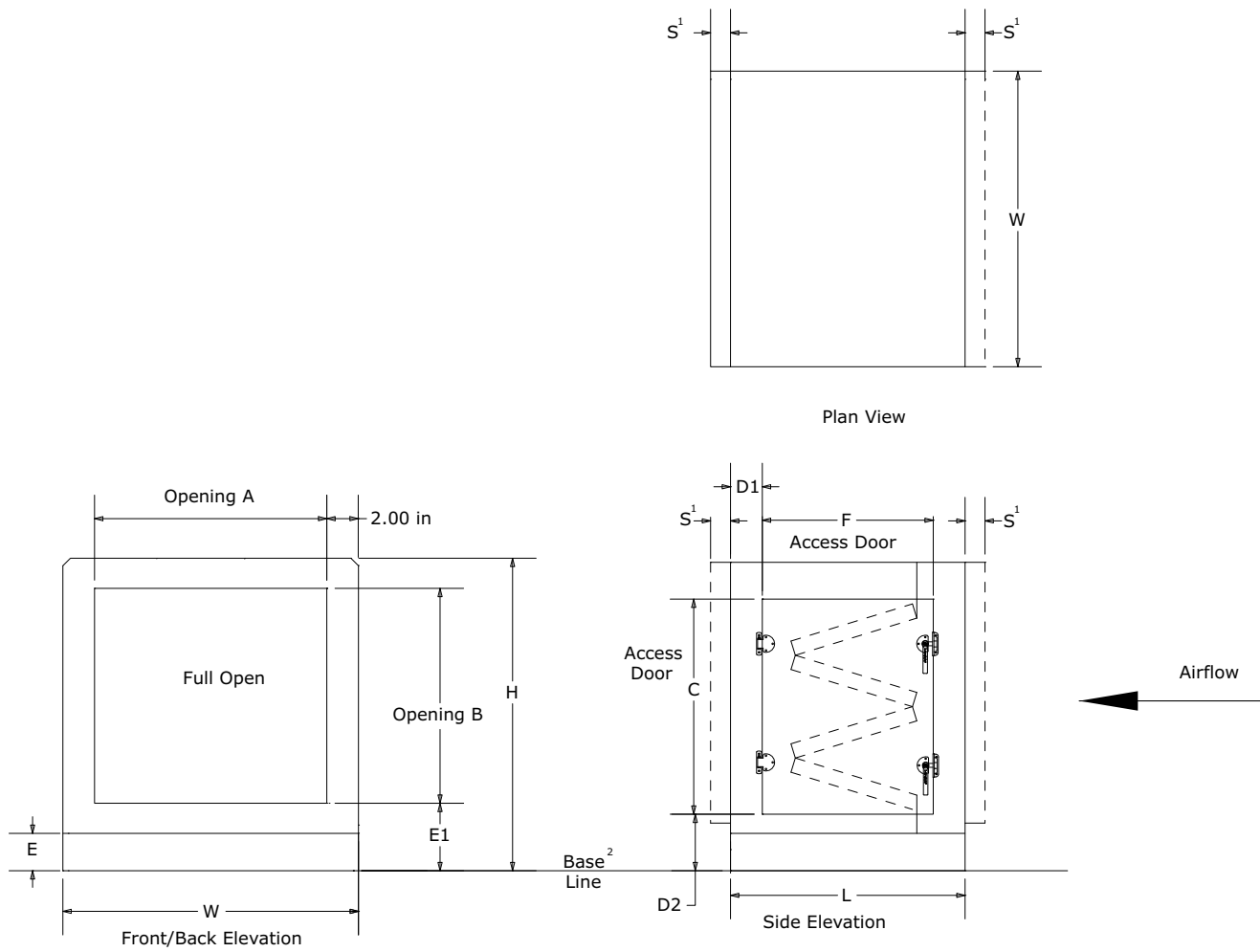


Table 105. 2-inch and 4-inch angled filter section dimensions (inches) - side loading

Unit Size	W	H	L	Front/Back Opening		Outward Door				Base ²		S ¹
				A	B	C	F	D1	D2	E	E1	
3	31.50	29.00	24.50	27.50	22.50	22.25	20.38	2.13	4.25	2.50	4.50	1.00
4	44.00	29.00	24.50	40.00	22.50	22.25	20.38	2.13	4.25	2.50	4.50	1.00
6	44.00	35.25	24.50	40.00	28.75	28.50	20.38	2.13	4.25	2.50	4.50	1.00
8	50.50	37.75	26.50	46.50	31.25	31.00	22.38	2.13	4.25	2.50	4.50	1.00
10	61.50	37.75	26.50	57.50	31.25	31.00	22.38	2.13	4.25	2.50	4.50	1.00
12	66.50	41.50	26.50	62.50	35.00	34.75	22.38	2.13	4.25	2.50	4.50	1.00
14	72.00	41.50	26.50	68.00	35.00	34.75	22.38	2.13	4.25	2.50	4.50	1.00
17	72.00	49.00	24.50	68.00	42.50	42.25	20.38	2.13	4.25	2.50	4.50	1.00
21	80.00	52.75	24.50	76.00	46.25	46.00	20.375	2.13	4.25	2.50	4.50	1.00
22	61.50	67.25	24.50	57.50	60.75	60.50	20.375	2.13	4.25	2.50	4.50	1.00
25	80.00	61.50	24.50	76.00	55.00	54.75	20.375	2.13	4.25	2.50	4.50	1.00
26	61.50	85.50	27.50	57.50	79.00	78.75	23.38	2.13	4.25	2.50	4.50	1.00
30	93.50	61.50	24.50	89.50	55.00	54.75	20.375	2.13	4.25	2.50	4.50	1.00
31	72.00	85.50	27.50	68.00	79.00	78.75	23.38	2.13	4.25	2.50	4.50	1.00
35	100.00	67.25	24.50	96.00	60.75	60.50	20.38	2.13	4.25	2.50	4.50	1.00
36	80.00	89.00	27.50	76.00	82.50	82.25	23.38	2.13	4.25	2.50	4.50	1.00
40	112.50	67.25	24.50	108.50	60.75	60.50	20.38	2.13	4.25	2.50	4.50	1.00
41	80.00	104.00	27.50	76.00	97.50	97.25	23.38	2.13	4.25	2.50	4.50	1.00
50	125.50	75.75	27.50	121.5	69.25	69.00	23.38	2.13	4.25	2.50	4.50	1.00
51	93.50	104.00	27.50	89.50	97.50	97.25	23.38	2.13	4.25	2.50	4.50	1.00
57	125.50	85.50	27.50	121.50	79.00	78.75	23.38	2.13	4.25	2.50	4.50	1.00
58	93.50	116.25	27.50	89.50	109.75	109.50	23.38	2.13	4.25	2.50	4.50	1.00
66	140.50	92.50	27.50	136.50	82.50	82.25	23.38	2.13	7.75	6.00	8.00	1.00
80	140.50	107.50	27.50	136.50	97.50	97.25	23.38	2.13	7.75	6.00	8.00	1.00
100	154.50	119.75	27.50	150.50	109.75	109.5	23.38	2.13	7.75	6.00	8.00	1.00
120	182.00	119.75	27.50	178.00	109.75	109.5	23.38	2.13	7.75	6.00	8.00	1.00

Note: ¹ Shipping split flange dimension is for shipping and installation planning purposes only and does not add to installed overall unit length. ² Base line includes the height for standard 2.5-inch integral base frame on unit sizes 3-57 and 6-inch integral base frame on unit sizes 66-120.

Dimensions

Figure 65. 2-inch and 4-inch angled filter placement for unit sizes 3-50 - side loading

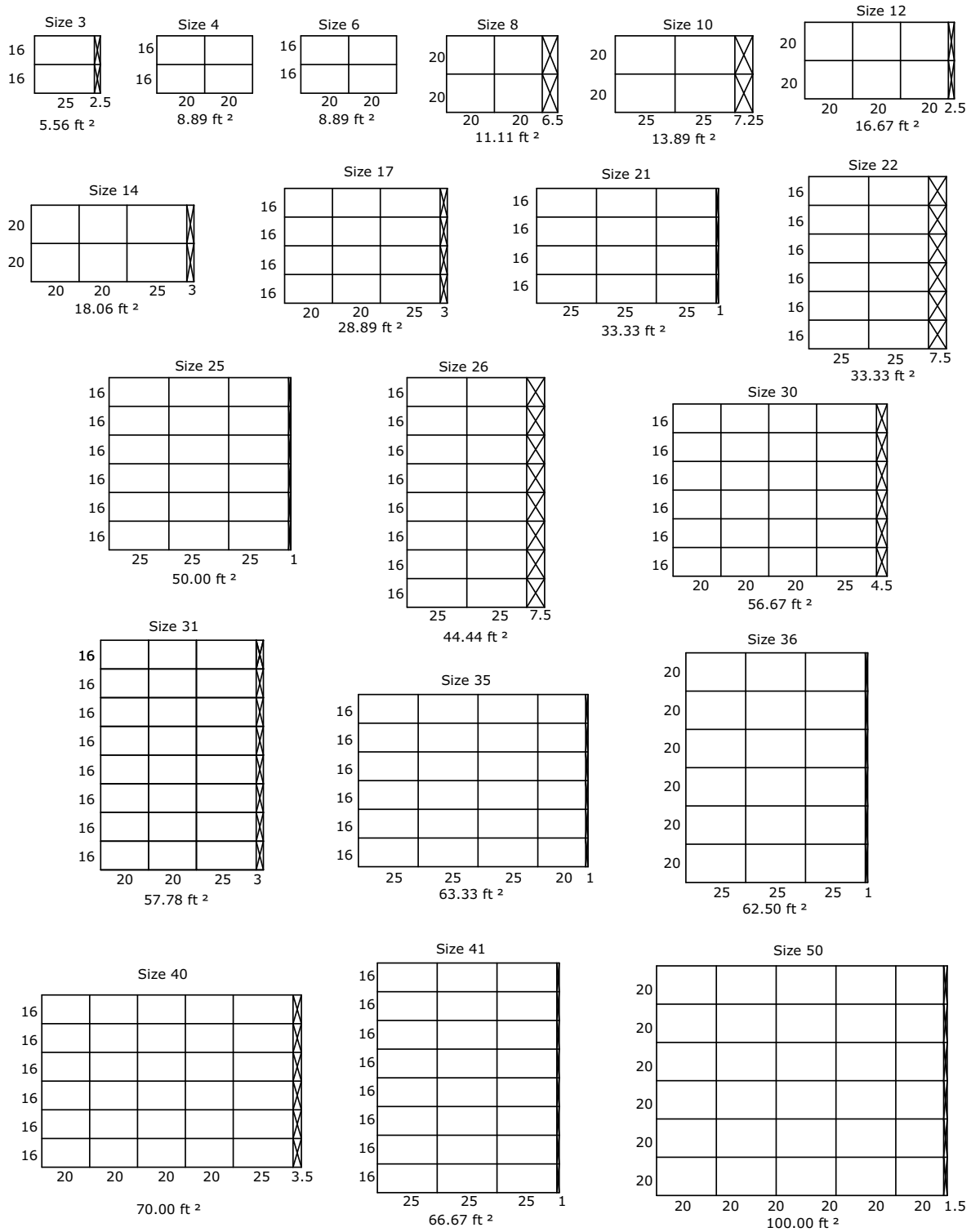
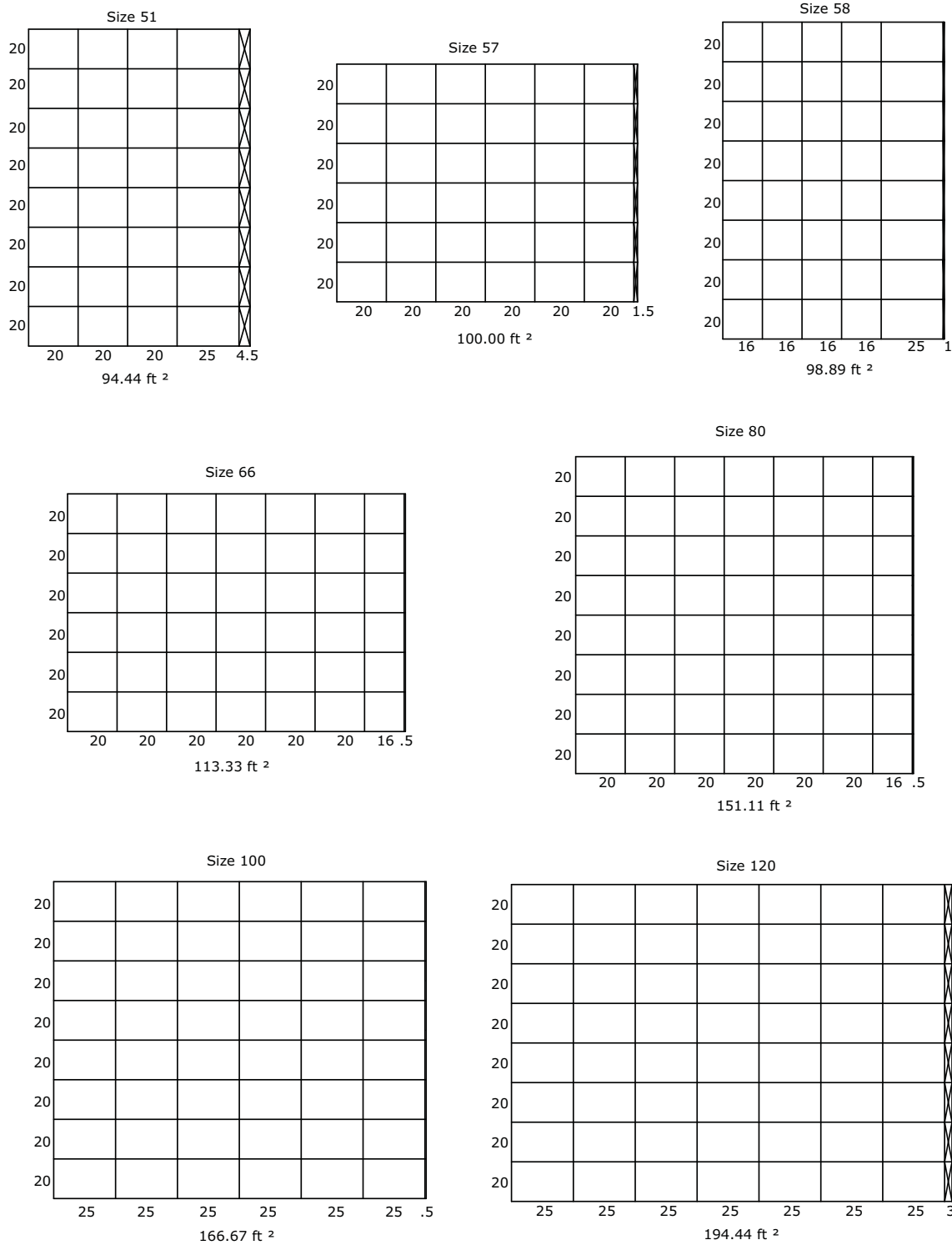


Figure 66. 2-inch and 4-inch angled filter placement for unit sizes 51-120 - side loading



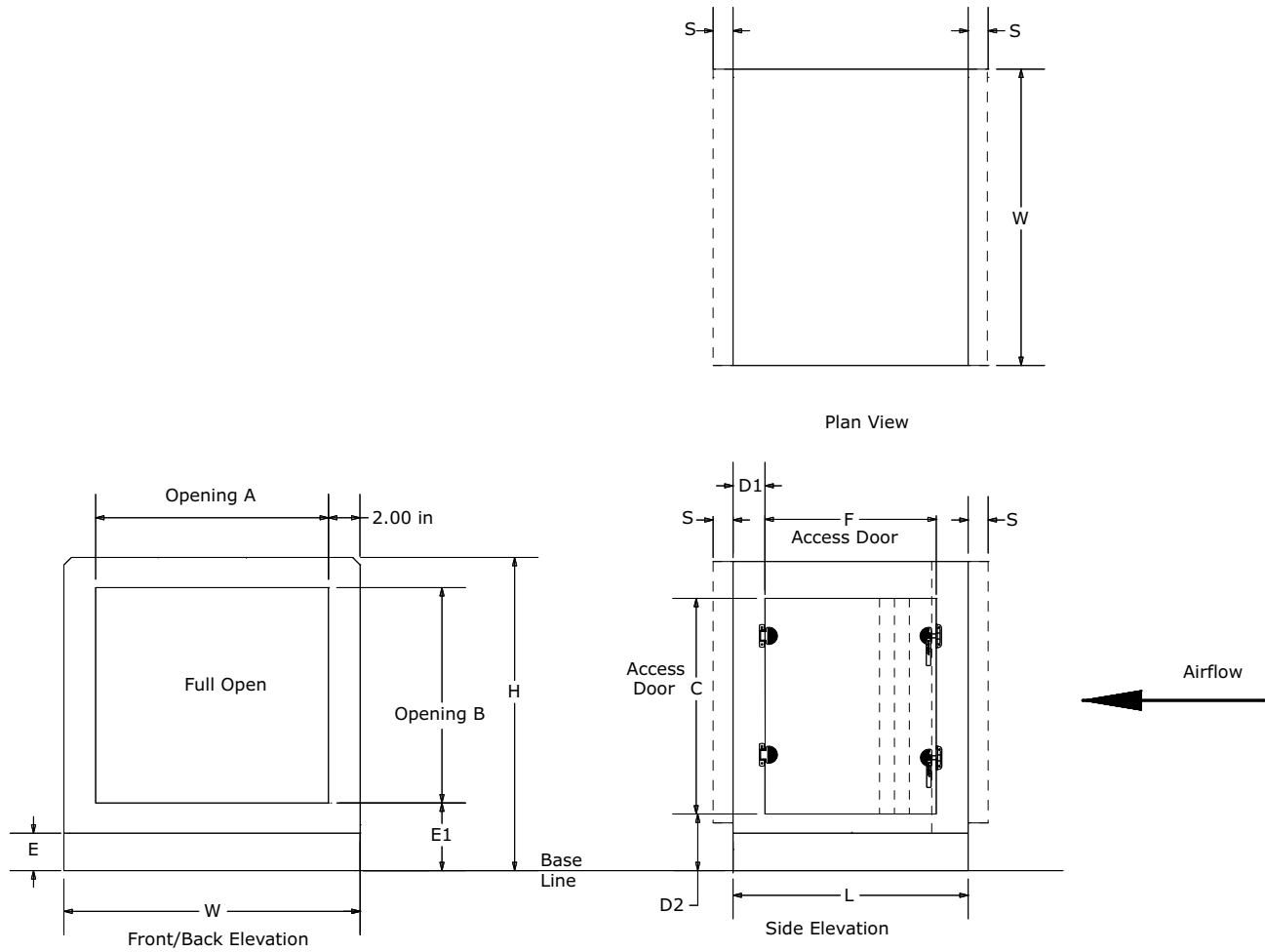
Bag Filter Section
Long Bag Filter Section - Side Loading
Figure 67. Long bag filter section - side loading


Table 106. Long bag filter section dimensions (inches) - side loading

Unit Size	W	H	L	Front/Back Opening		Outward Door				Base ²		S ¹
				A	B	C	F	D1	D2	E	E1	
3	31.50	29.00	36.00	27.50	22.50	22.25	29.00	4.87	4.25	2.50	4.50	1.00
4	44.00	29.00	41.00	40.00	22.50	22.25	29.00	9.88	4.25	2.50	4.50	1.00
6	44.00	35.25	41.00	40.00	28.75	28.50	29.00	9.88	4.25	2.50	4.50	1.00
8	50.50	37.75	44.00	46.50	31.25	31.00	31.00	10.88	4.25	2.50	4.50	1.00
10	61.50	37.75	42.50	57.50	31.25	31.00	31.00	9.38	4.25	2.50	4.50	1.00
12	66.50	41.50	42.50	62.50	35.00	34.75	31.00	9.38	4.25	2.50	4.50	1.00
14	72.00	41.50	42.50	68.00	35.00	34.75	31.00	9.38	4.25	2.50	4.50	1.00
17	72.00	49.00	44.00	68.00	42.50	42.25	31.00	10.88	4.25	2.50	4.50	1.00
21	80.00	52.75	50.30	76.00	46.25	46.00	29.00	19.10	4.25	2.50	4.50	1.00
22	61.50	67.25	37.30	57.50	60.75	60.50	20.38	2.13	4.25	2.50	4.50	1.00
25	80.00	61.50	46.00	76.00	55.00	54.75	31.00	2.13	4.25	2.50	4.50	1.00
26	61.50	85.50	37.30	57.50	79.00	78.75	20.38	2.13	4.25	2.50	4.50	1.00
30	93.50	61.50	46.00	89.50	55.00	54.75	31.00	12.90	4.25	2.50	4.50	1.00
31	72.00	85.50	37.30	68.00	79.00	78.75	20.38	2.13	4.25	2.50	4.50	1.00
35	100.00	67.25	37.30	96.00	60.75	60.50	20.38	2.13	4.25	2.50	4.50	1.00
36	80.00	89.00	37.30	76.00	82.50	82.25	20.38	2.13	4.25	2.50	4.50	1.00
40	112.50	67.25	37.30	108.50	60.75	60.50	20.38	2.13	4.25	2.50	4.50	1.00
41	80.00	104.00	37.30	76.00	97.50	97.25	20.38	2.13	4.25	2.50	4.50	1.00
50	125.50	75.75	37.30	121.50	69.25	69.00	20.38	2.13	4.25	2.50	4.50	1.00
51	93.50	104.00	37.30	89.50	97.50	97.25	20.38	2.13	4.25	2.50	4.50	1.00
57	125.50	85.50	37.30	121.50	79.00	78.75	20.38	2.13	4.25	2.50	4.50	1.00
58	93.50	116.25	37.30	89.50	109.75	109.50	20.38	2.13	4.25	2.50	4.50	1.00
66	140.50	92.50	37.30	136.50	82.50	82.25	20.38	2.13	7.75	6.00	8.00	1.00
80	140.50	107.50	37.25	136.50	97.50	97.25	20.38	2.13	7.75	6.00	8.00	1.00
100	154.50	119.75	37.25	150.50	109.75	109.50	20.38	2.13	7.75	6.00	8.00	1.00
120	182.00	119.75	37.25	178.00	109.75	109.50	20.38	2.13	7.75	6.00	8.00	1.00

Note: ¹ Shipping split flange dimension is for shipping and installation planning purposes only and does not add to installed overall unit length. ² Base line includes the height for standard 2.5-inch integral base frame on unit sizes 3-57 and 6-inch integral base frame on unit sizes 66-120.

Dimensions

Figure 68. Long bag filter placement for unit sizes 3-50 - side loading

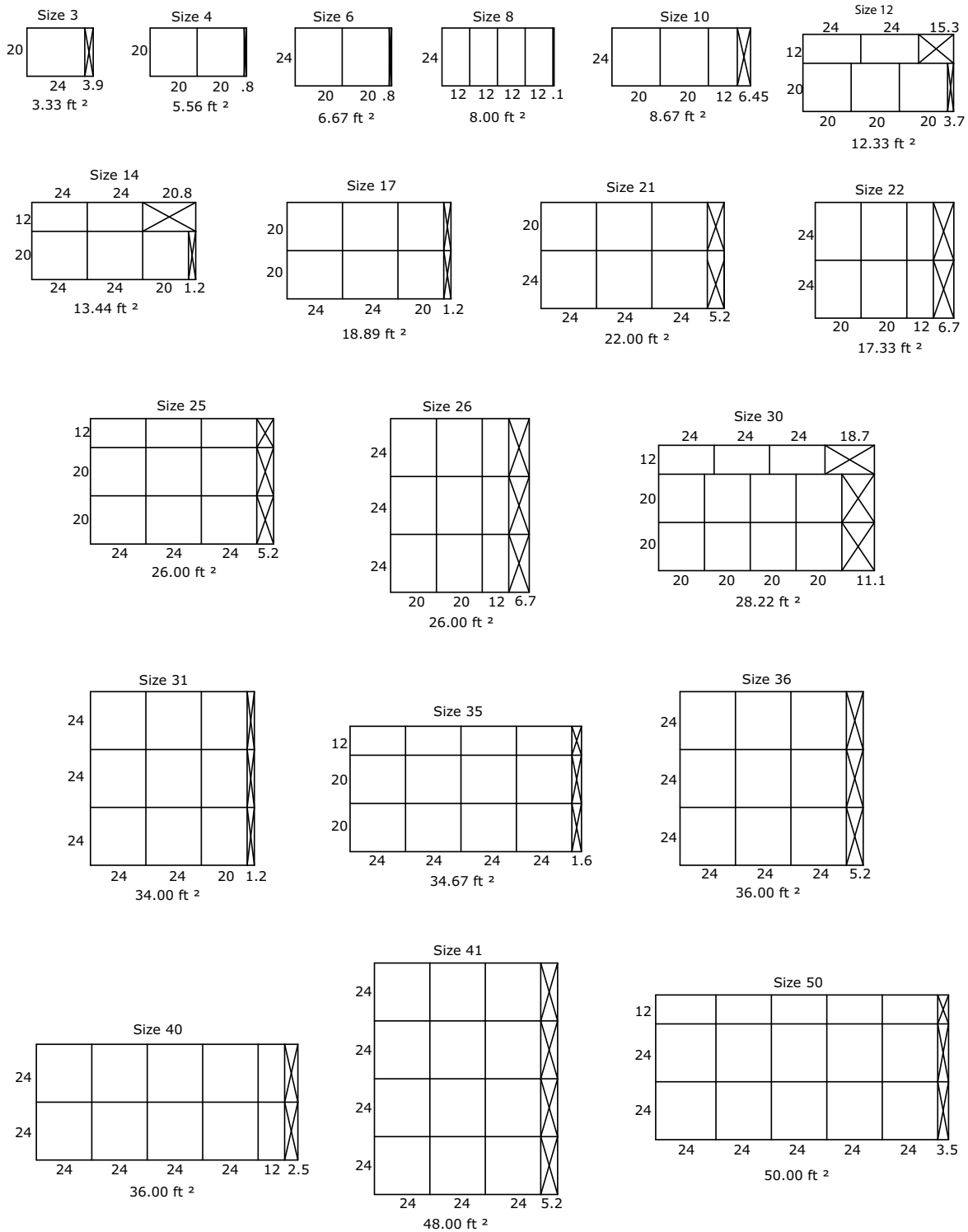
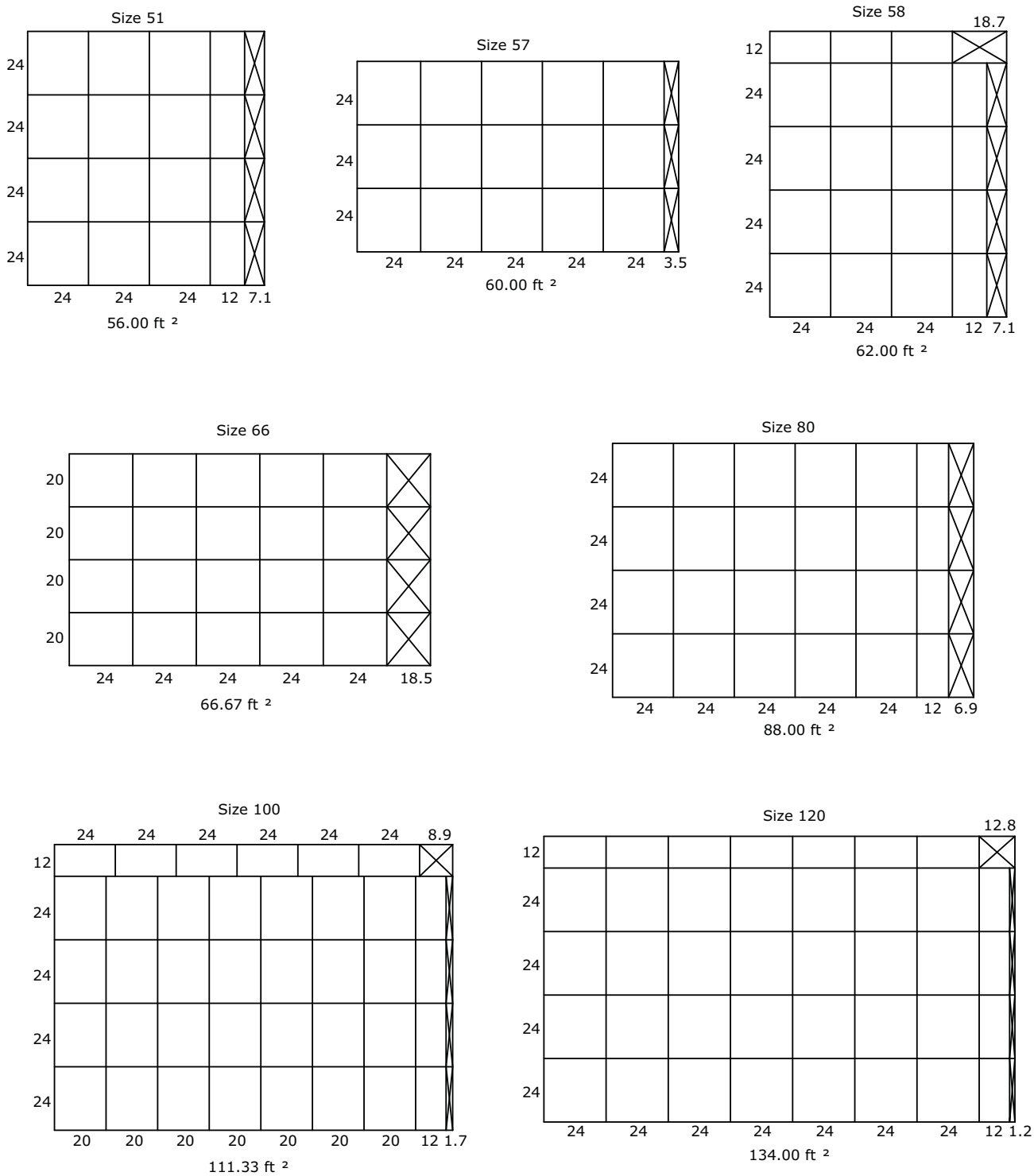


Figure 69. Long bag filter placement for unit sizes 57-120 - side loading



Short Bag Filter Section - Side Loading

Figure 70. Short bag filter section - side loading

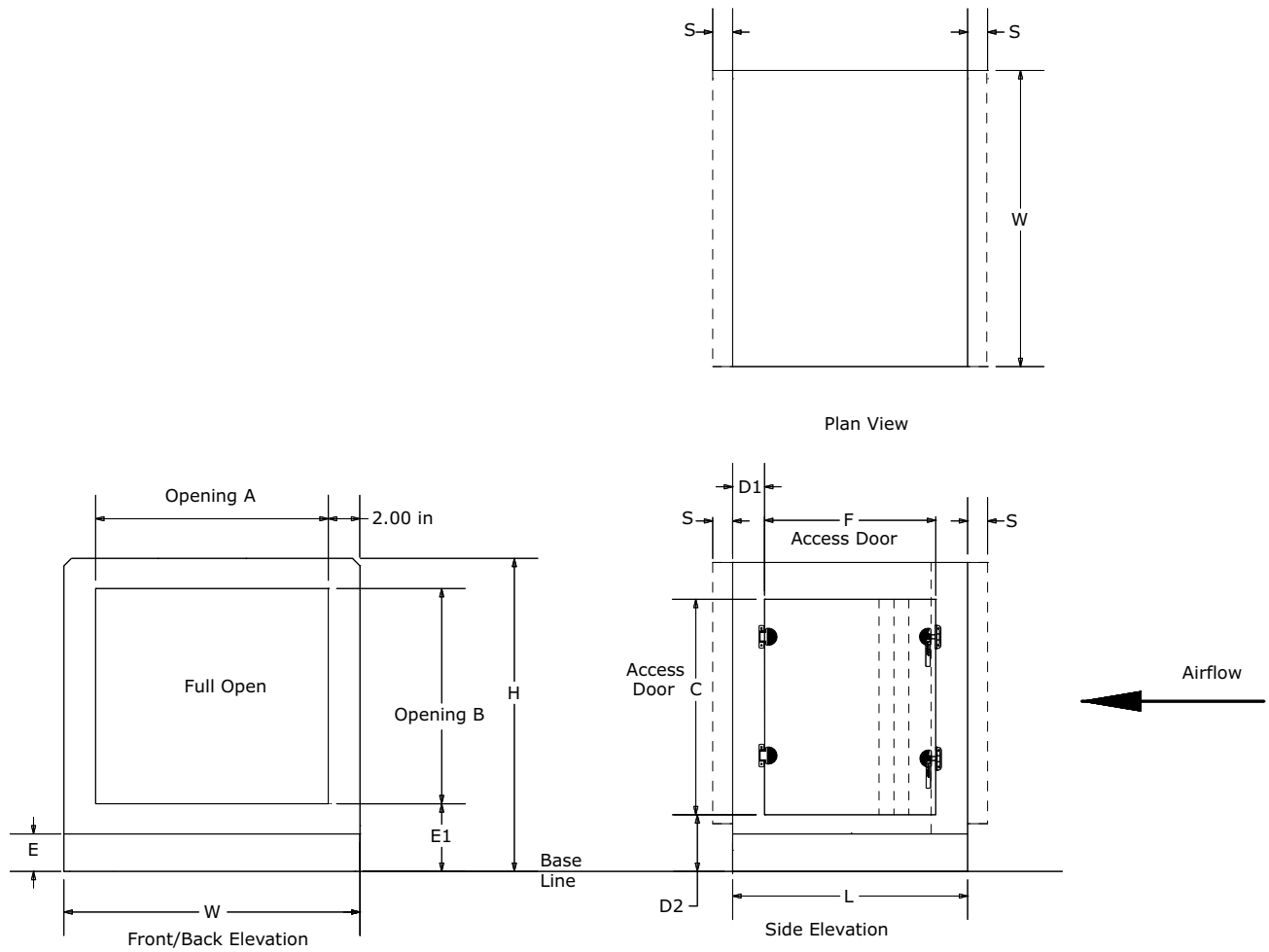


Table 107. Short bag filter dimensions (inches) - side loading

Unit Size	W	H	L	Front/Back Opening		Outward Door				Base ²		S ¹
				A	B	C	F	D1	D2	E	E1	
3	31.50	29.00	24.50	27.50	22.50	22.25	20.38	2.13	4.25	2.50	4.50	1.00
4	44.00	29.00	24.50	40.00	22.50	22.25	20.38	2.13	4.25	2.50	4.50	1.00
6	44.00	35.25	24.50	40.00	28.75	28.50	20.38	2.13	4.25	2.50	4.50	1.00
8	50.50	37.75	26.50	46.50	31.25	31.00	22.38	2.13	4.25	2.50	4.50	1.00
10	61.50	37.75	26.50	57.50	31.25	31.00	22.38	2.13	4.25	2.50	4.50	1.00
12	66.50	41.50	26.50	62.50	35.00	34.75	22.38	2.13	4.25	2.50	4.50	1.00
14	72.00	41.50	26.50	68.00	35.00	34.75	22.38	2.13	4.25	2.50	4.50	1.00
17	72.00	49.00	24.50	68.00	42.50	42.25	20.38	2.13	4.25	2.50	4.50	1.00
21	80.00	52.75	24.50	76.00	46.25	46.00	20.38	2.13	4.25	2.50	4.50	1.00
22	61.50	67.25	24.50	57.50	60.75	60.50	20.38	2.13	4.25	2.50	4.50	1.00
25	80.00	61.50	24.50	76.00	55.00	54.75	20.38	2.13	4.25	2.50	4.50	1.00
26	61.50	85.50	24.50	57.50	79.00	78.75	20.38	2.13	4.25	2.50	4.50	1.00
30	93.50	61.50	24.50	89.50	55.00	54.75	20.38	2.13	4.25	2.50	4.50	1.00
31	72.00	85.50	24.50	68.00	79.00	78.75	20.38	2.13	4.25	2.50	4.50	1.00
35	100.00	67.25	24.50	96.00	60.75	60.50	20.38	2.13	4.25	2.50	4.50	1.00
36	80.00	89.00	24.50	76.00	82.50	82.25	20.38	2.13	4.25	2.50	4.50	1.00
40	112.50	67.25	24.50	108.50	60.75	60.50	20.38	2.13	4.25	2.50	4.50	1.00
41	80.00	104.00	24.50	76.00	97.50	97.25	20.38	2.13	4.25	2.50	4.50	1.00
50	125.50	75.75	24.50	121.50	69.25	69.00	20.38	2.13	4.25	2.50	4.50	1.00
51	93.50	104.00	24.50	89.50	97.50	97.25	20.38	2.13	4.25	2.50	4.50	1.00
57	125.50	85.50	24.50	121.50	79.00	78.75	20.38	2.13	4.25	2.50	4.50	1.00
58	93.50	116.25	24.50	89.50	109.75	109.50	20.38	2.13	4.25	2.50	4.50	1.00
66	140.50	92.50	24.50	136.50	82.50	82.25	20.38	2.13	7.75	6.00	8.00	1.00
80	140.50	107.50	24.50	136.50	97.50	97.25	20.38	2.13	7.75	6.00	8.00	1.00
100	154.50	119.75	24.50	150.50	109.75	109.50	20.38	2.13	7.75	6.00	8.00	1.00
120	182.00	119.75	24.50	178.00	109.75	109.50	20.38	2.13	7.75	6.00	8.00	1.00

Note: ¹ Shipping split flange dimension is for shipping and installation planning purposes only and does not add to installed overall unit length. ² Base line includes the height for standard 2.5-inch integral base frame on unit sizes 3-57 and 6-inch integral base frame on unit sizes 66-120.

Figure 71. Short bag filter placement for unit sizes 3-50 - side loading

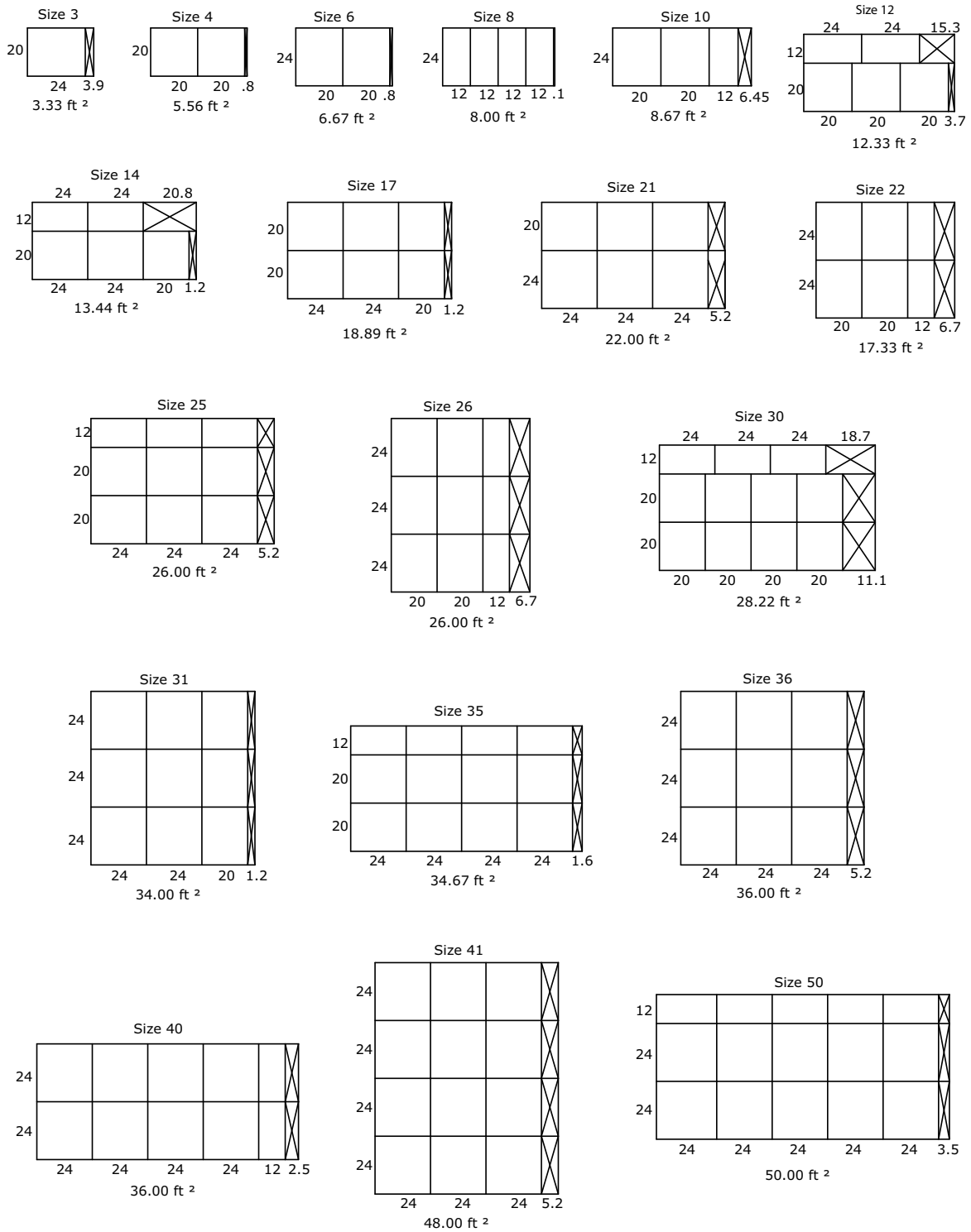
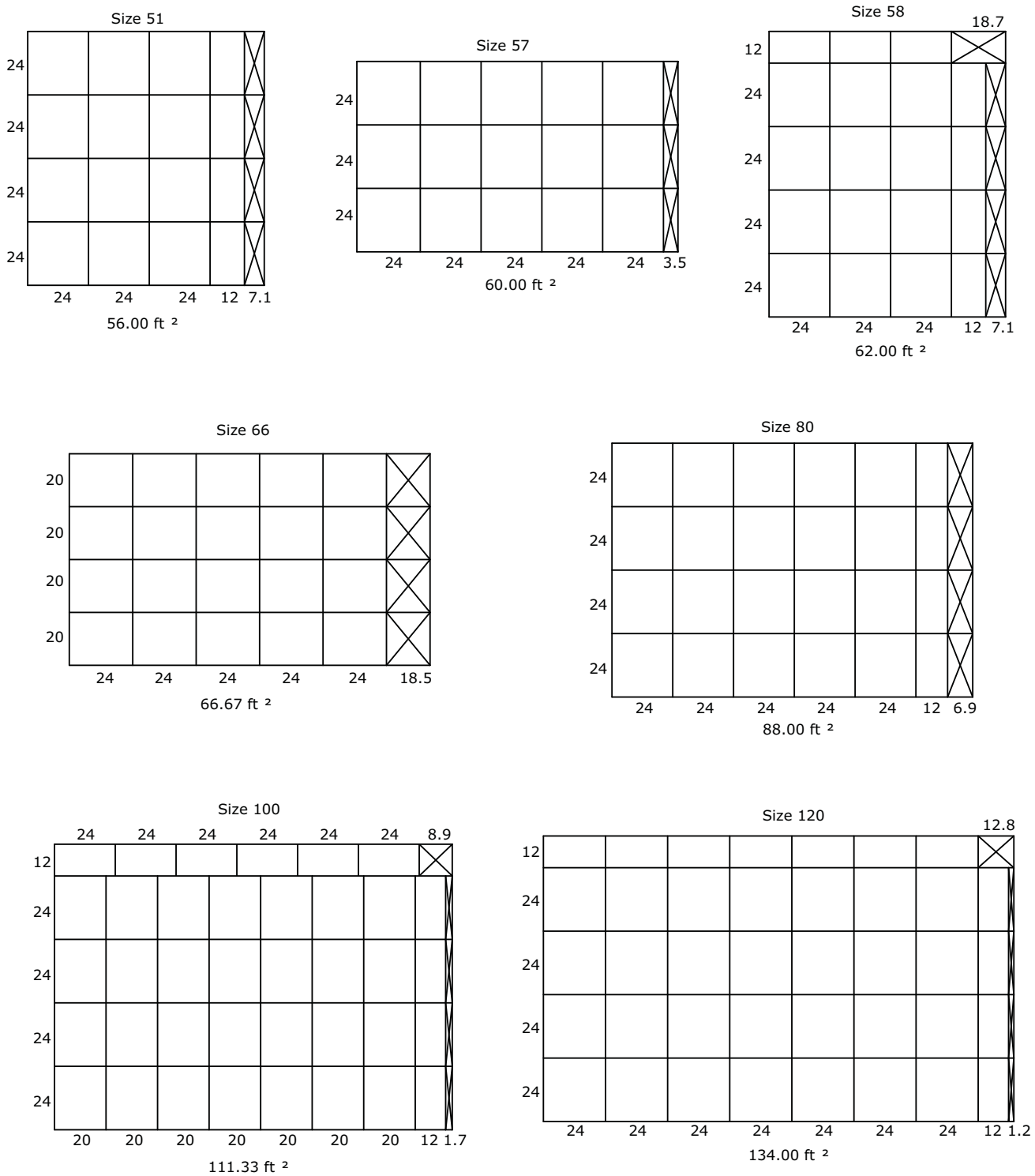


Figure 72. Short bag filter placement for unit sizes 57-120 - side loading



Cartridge Filter Section - Side Loading

Figure 73. Cartridge filter section - side loading

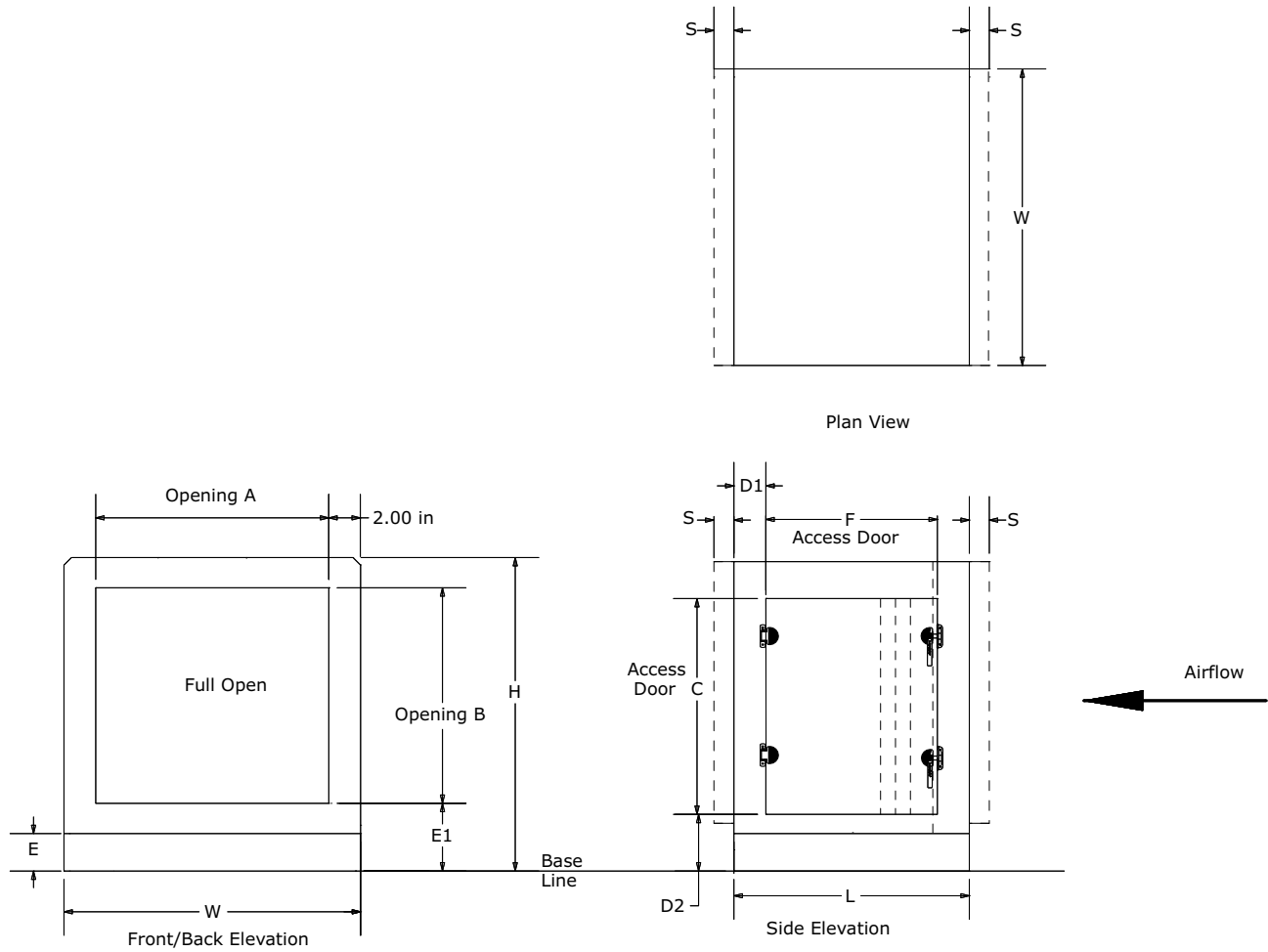


Table 108. Cartridge filter section dimensions (inches) - side loading

Unit Size	W	H	L	Front/Back Opening		Outward Door				Base ²		S ¹
				A	B	C	F	D1	D2	E	E1	
3	31.50	29.00	24.50	27.50	22.50	22.25	20.38	2.13	4.25	2.50	4.50	1.00
4	44.00	29.00	24.50	40.00	22.50	22.25	20.38	2.13	4.25	2.50	4.50	1.00
6	44.00	35.25	24.50	40.00	28.75	28.50	20.38	2.13	4.25	2.50	4.50	1.00
8	50.50	37.75	26.50	46.50	31.25	31.00	22.38	2.13	4.25	2.50	4.50	1.00
10	61.50	37.75	26.50	57.50	31.25	31.00	22.38	2.13	4.25	2.50	4.50	1.00
12	66.50	41.50	26.50	62.50	35.00	34.75	22.38	2.13	4.25	2.50	4.50	1.00
14	72.00	41.50	26.50	68.00	35.00	34.75	22.38	2.13	4.25	2.50	4.50	1.00
17	72.00	49.00	24.50	68.00	42.50	42.25	20.38	2.13	4.25	2.50	4.50	1.00
21	80.00	52.75	24.50	76.00	46.25	46.00	20.38	2.13	4.25	2.50	4.50	1.00
22	61.50	67.25	24.50	57.50	60.75	60.50	20.38	2.13	4.25	2.50	4.50	1.00
25	80.00	61.50	24.50	76.00	55.00	54.75	20.38	2.13	4.25	2.50	4.50	1.00
26	61.50	85.50	24.50	57.50	79.00	78.75	20.38	2.13	4.25	2.50	4.50	1.00
30	93.50	61.50	24.50	89.50	55.00	54.75	20.38	2.13	4.25	2.50	4.50	1.00
31	72.00	85.50	24.50	68.00	79.00	78.75	20.38	2.13	4.25	2.50	4.50	1.00
35	100.00	67.25	24.50	96.00	60.75	60.50	20.38	2.13	4.25	2.50	4.50	1.00
36	80.00	89.00	24.50	76.00	82.50	82.25	20.38	2.13	4.25	2.50	4.50	1.00
40	112.50	67.25	24.50	108.50	60.75	60.50	20.38	2.13	4.25	2.50	4.50	1.00
41	80.00	104.00	24.50	76.00	97.50	97.25	20.38	2.13	4.25	2.50	4.50	1.00
50	125.50	75.75	24.50	121.50	69.25	69.00	20.38	2.13	4.25	2.50	4.50	1.00
51	93.50	104.00	24.50	89.50	97.50	97.25	20.38	2.13	4.25	2.50	4.50	1.00
57	125.50	85.50	24.50	121.50	79.00	78.75	20.38	2.13	4.25	2.50	4.50	1.00
58	93.50	116.25	24.50	89.50	109.75	109.50	20.38	2.13	4.25	2.50	4.50	1.00
66	140.50	92.50	24.50	136.50	82.50	82.25	20.38	2.13	7.75	6.00	8.00	1.00
80	140.50	107.50	24.50	136.50	97.50	97.25	20.38	2.13	7.75	6.00	8.00	1.00
100	154.50	119.75	24.50	150.50	109.75	109.50	20.38	2.13	7.75	6.00	8.00	1.00
120	182.00	119.75	24.50	178.00	109.75	109.50	20.38	2.13	7.75	6.00	8.00	1.00

Note: ¹ Shipping split flange dimension is for shipping and installation planning purposes only and does not add to installed overall unit length. ² Base line includes the height for standard 2.5-inch integral base frame on unit sizes 3-57 and 6-inch integral base frame on unit sizes 66-120.

Figure 74. Cartridge filter placement for unit sizes 3-50 - side loading

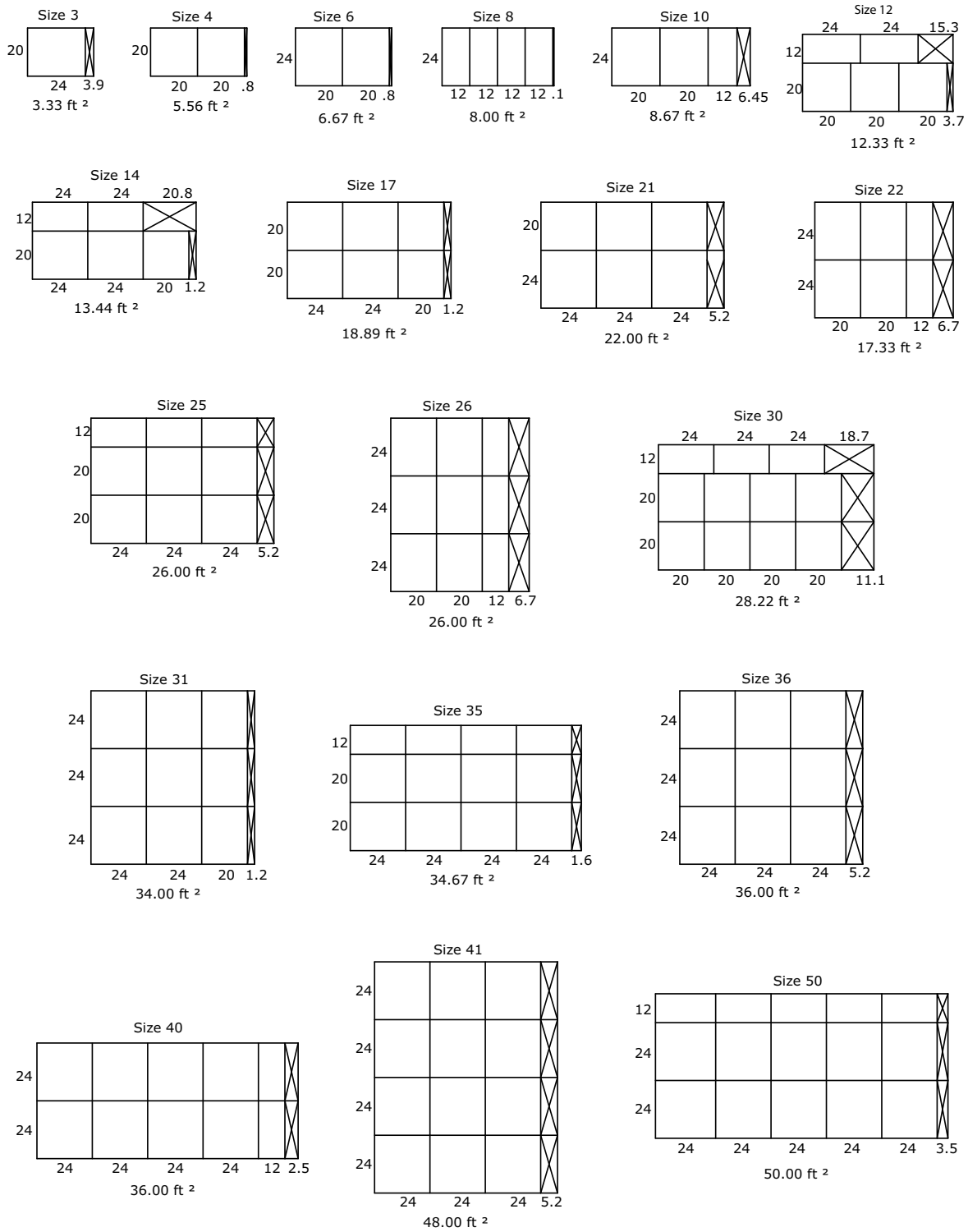
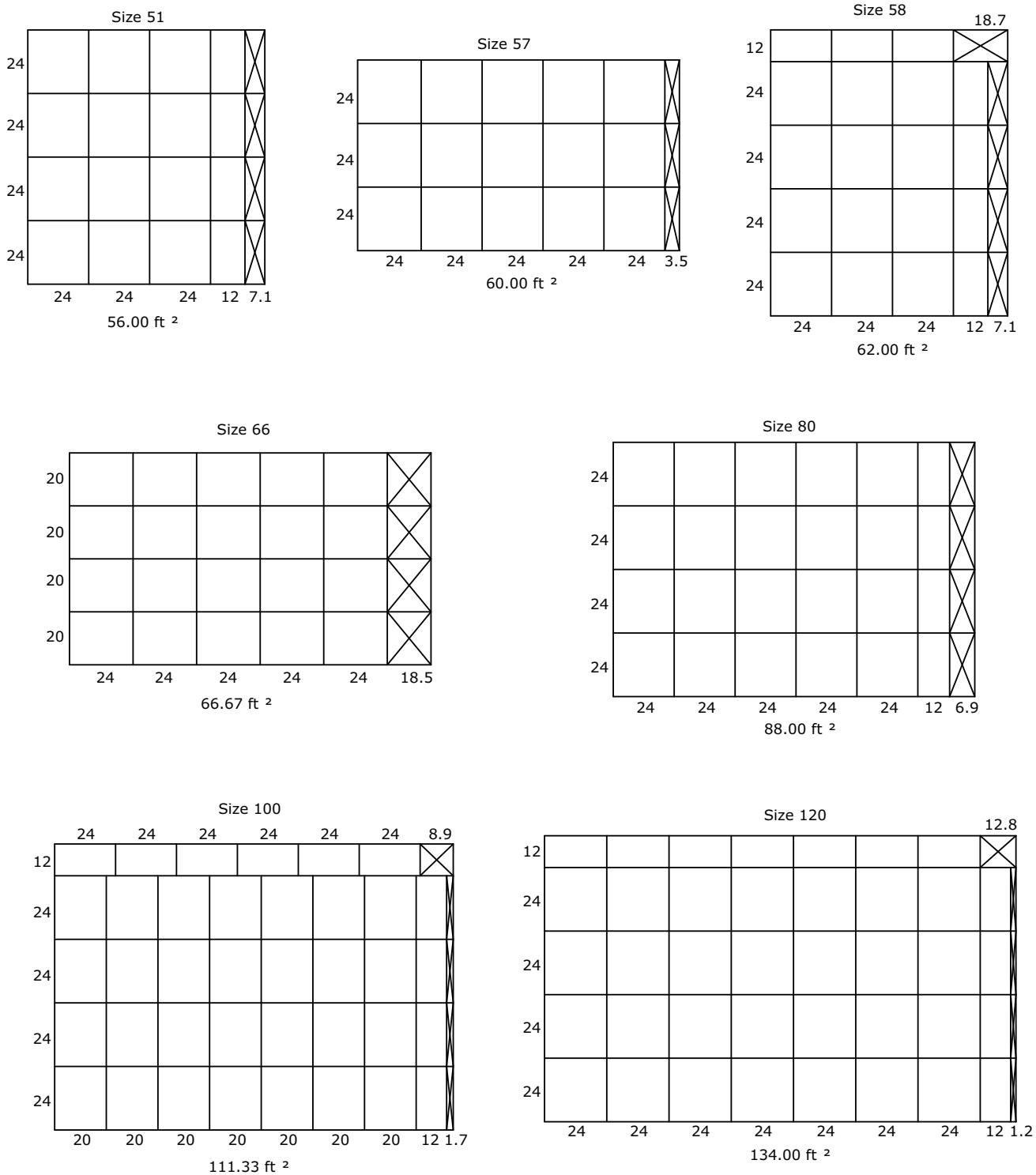


Figure 75. Cartridge filter placement for unit sizes 57-120 - side loading



Dimensions

Bag and Cartridge Filter Section - Front Loading

Figure 76. Bag and cartridge filter section - front loading

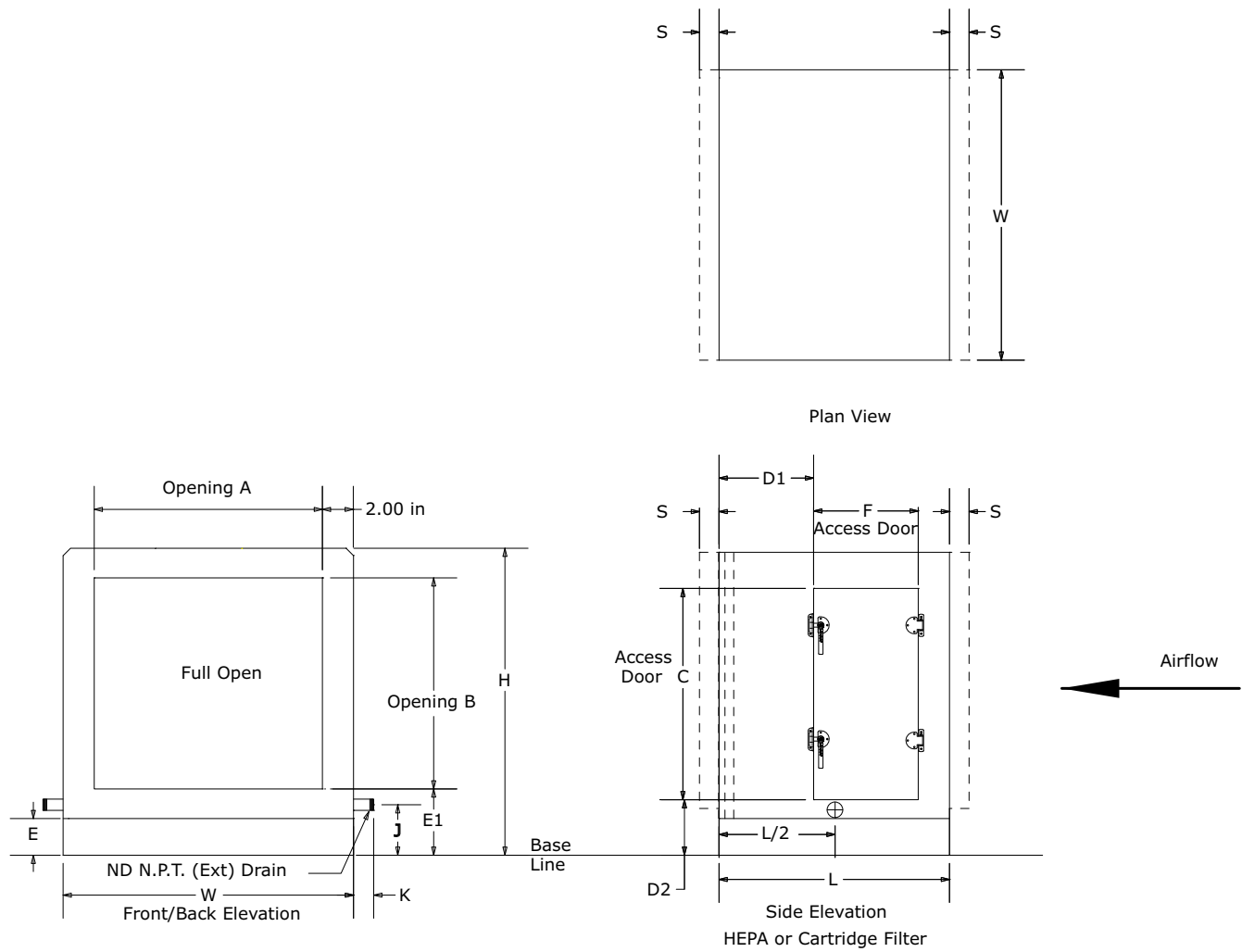


Table 109. Cartridge filter dimensions (inches) - front-loading

Unit Size	Front/Back Opening			Outward Door				Inward Door				Base		S ¹		
	W	H	L	A	B	C	F	D1	D2	C	F	D1	D2		E	E1
3	31.50	29.00	40.00	27.50	22.50	22.25	20.38	16.19	4.25	19.38	17.63	18.94	5.38	2.50	4.50	1.00
4	44.00	29.00	40.00	40.00	22.50	22.25	20.38	16.19	4.25	19.38	17.63	18.94	5.38	2.50	4.50	1.00
6	44.00	35.25	40.00	40.00	28.75	28.50	20.38	16.19	4.25	25.63	17.63	18.94	5.38	2.50	4.50	1.00
8	50.50	37.75	40.00	46.50	31.25	31.00	20.38	16.19	4.25	28.13	17.63	18.94	5.38	2.50	4.50	1.00
10	61.50	37.75	40.00	57.50	31.25	31.00	20.38	16.19	4.25	28.13	17.63	18.94	5.38	2.50	4.50	1.00
12	66.50	41.50	40.00	62.50	35.00	34.75	20.38	16.19	4.25	31.88	17.63	18.94	5.38	2.50	4.50	1.00
14	72.00	41.50	40.00	68.00	35.00	34.75	20.38	16.19	4.25	31.88	17.63	18.94	5.38	2.50	4.50	1.00
17	72.00	49.00	40.00	68.00	42.50	42.25	20.38	16.19	4.25	39.38	17.63	18.94	5.38	2.50	4.50	1.00
21	80.00	52.75	40.00	76.00	46.25	46.00	20.38	16.19	4.25	43.13	17.63	18.94	5.38	2.50	4.50	1.00
22	61.50	67.25	40.00	57.50	60.75	60.50	20.38	16.19	4.25	57.63	17.625	18.94	5.38	2.50	4.50	1.00
25	80.00	61.50	40.00	76.00	55.00	54.75	20.38	16.19	4.25	51.88	17.625	18.94	5.38	2.50	4.50	1.00
26	61.50	85.50	40.00	57.50	79.00	60.50	20.38	16.19	4.25	57.63	17.625	18.94	5.38	2.50	4.50	1.00
30	93.50	61.50	40.00	89.50	55.00	54.75	20.38	16.19	4.25	51.88	17.625	18.94	5.38	2.50	4.50	1.00
31	72.00	85.50	40.00	68.00	79.00	60.50	20.38	16.19	4.25	57.63	17.625	18.94	5.38	2.50	4.50	1.00
35	100.00	67.25	40.00	96.00	60.75	60.50	20.38	16.19	4.25	57.63	17.625	18.94	5.38	2.50	4.50	1.00
36	80.00	89.00	40.00	76.00	82.50	60.50	20.38	16.19	4.25	57.63	17.625	18.94	5.38	2.50	4.50	1.00
40	112.50	67.25	40.00	108.50	60.75	60.50	20.38	16.19	4.25	57.63	17.625	18.94	5.38	2.50	4.50	1.00
41	80.00	104.00	40.00	76.00	97.50	60.50	20.38	16.19	4.25	57.63	17.625	18.94	5.38	2.50	4.50	1.00
50	125.50	75.75	40.00	121.50	69.25	60.50	20.38	16.19	4.25	66.13	17.625	18.94	5.38	2.50	4.50	1.00
51	93.50	104.00	40.00	89.50	97.50	60.50	20.38	16.19	4.25	57.63	17.625	18.94	5.38	2.50	4.50	1.00
57	125.50	85.50	40.00	121.50	79.00	60.50	20.38	16.19	4.25	57.63	17.625	18.94	5.38	2.50	4.50	1.00
58	93.50	116.30	40.00	89.50	109.75	60.50	20.38	16.19	4.25	57.63	17.625	18.94	5.38	2.50	4.50	1.00
66	140.50	92.50	40.00	136.50	82.50	60.5	20.38	16.19	7.75	57.63	17.63	18.94	8.88	6.00	8.00	1.00
80	140.50	107.50	40.00	136.50	97.50	60.5	20.38	16.19	7.75	57.63	17.63	18.94	8.88	6.00	8.00	1.00
100	154.50	119.75	40.00	150.50	109.75	60.5	20.38	16.19	7.75	57.63	17.63	18.94	8.88	6.00	8.00	1.00
120	182.00	119.75	40.00	178.00	109.75	60.5	20.38	16.19	7.75	57.63	17.63	18.94	8.88	6.00	8.00	1.00



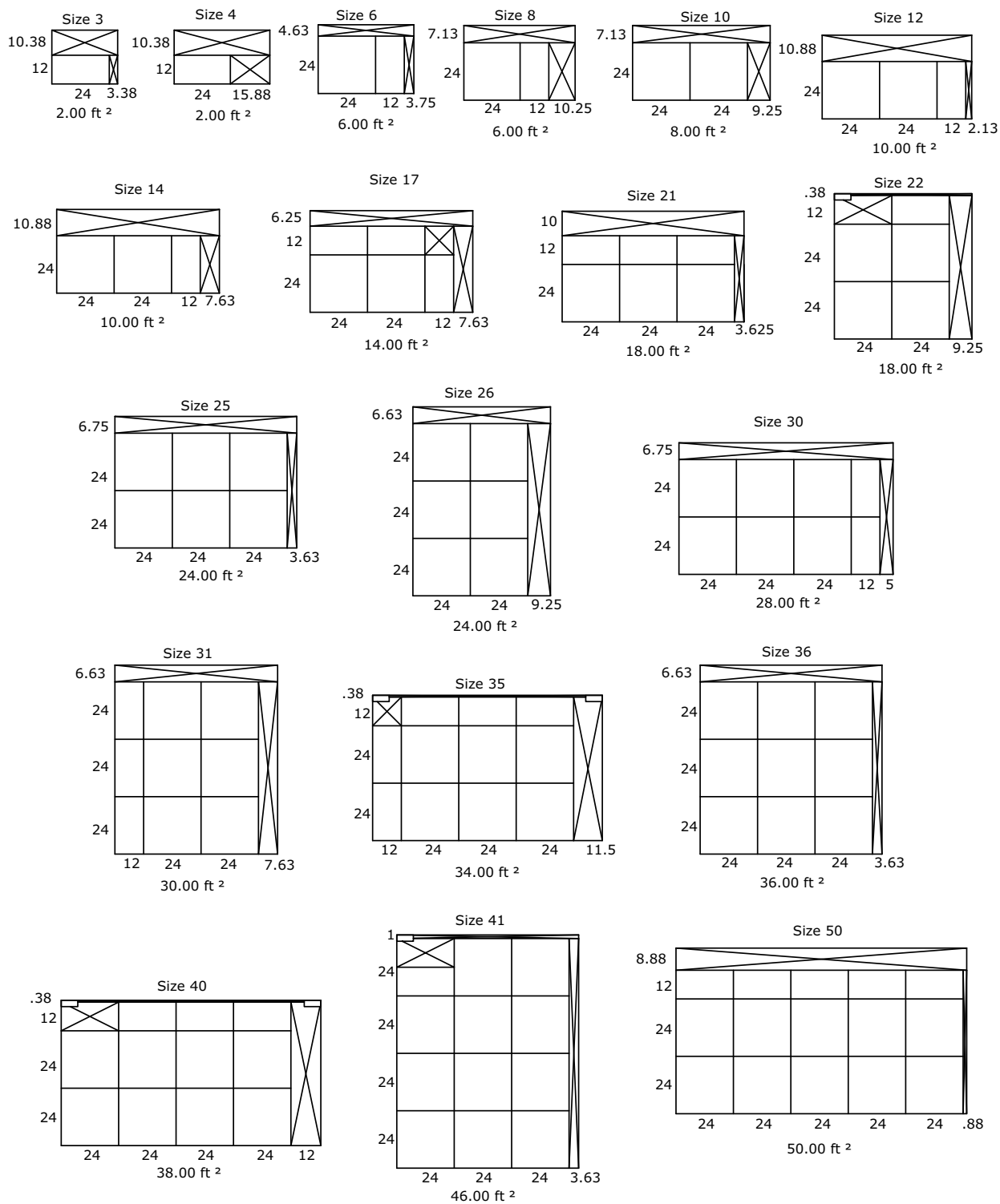
Dimensions

Table 110. Bag filter dimensions (inches) - front loading

Unit Size	W	H	L	Front/Back Opening		Outward Door				Inward Door				Base ²		
				A	B	C	F	D1	D2	C	F	D1	D2	E	E1	S ¹
3	31.50	29.00	45.00	27.50	22.50	22.25	20.38	21.19	4.25	19.38	17.63	23.94	5.38	2.50	4.50	1.00
4	44.00	29.00	45.00	40.00	22.50	22.25	20.38	21.19	4.25	19.38	17.63	23.94	5.38	2.50	4.50	1.00
6	44.00	35.25	45.00	40.00	28.75	28.50	20.38	21.19	4.25	25.63	17.63	23.94	5.38	2.50	4.50	1.00
8	50.50	37.75	45.00	46.50	31.25	31.00	20.38	21.19	4.25	28.13	17.63	23.94	5.38	2.50	4.50	1.00
10	61.50	37.75	45.00	57.50	31.25	31.00	20.38	21.19	4.25	28.13	17.63	23.94	5.38	2.50	4.50	1.00
12	66.50	41.50	45.00	62.50	35.00	34.75	20.38	21.19	4.25	31.88	17.63	23.94	5.38	2.50	4.50	1.00
14	72.00	41.50	45.00	68.00	35.00	34.75	20.38	21.19	4.25	31.88	17.63	23.94	5.38	2.50	4.50	1.00
17	72.00	49.00	45.00	68.00	42.50	42.25	20.38	21.19	4.25	39.38	17.63	23.94	5.38	2.50	4.50	1.00
21	80.00	52.75	45.00	76.00	46.25	46.00	20.38	21.19	4.25	43.13	17.63	23.94	5.38	2.50	4.50	1.00
22	61.50	67.25	45.00	57.50	60.75	60.50	20.38	21.19	4.25	57.60	17.63	23.94	5.38	2.50	4.50	1.00
25	80.00	61.50	45.00	76.00	55.00	54.75	20.38	21.19	4.25	51.90	17.63	23.94	5.38	2.50	4.50	1.00
26	61.50	85.50	45.00	57.50	79.00	60.5	20.38	21.19	4.25	57.60	17.63	23.94	5.38	2.50	4.50	1.00
30	93.50	61.50	45.00	89.50	55.00	54.75	20.38	21.19	4.25	51.90	17.63	23.94	5.38	2.50	4.50	1.00
31	72.00	85.50	45.00	68.00	79.00	60.50	20.38	21.19	4.25	57.60	17.63	23.94	5.38	2.50	4.50	1.00
35	100.00	67.25	45.00	96.00	60.75	60.50	20.38	21.19	4.25	57.60	17.63	23.94	5.38	2.50	4.50	1.00
36	80.00	89.00	45.00	76.00	82.50	60.50	20.38	21.19	4.25	57.60	17.63	23.94	5.38	2.50	4.50	1.00
40	112.50	67.25	45.00	108.50	60.75	60.50	20.38	21.19	4.25	57.60	17.63	23.94	5.38	2.50	4.50	1.00
41	80.00	104.00	45.00	76.00	97.50	60.50	20.38	21.19	4.25	57.60	17.63	23.94	5.38	2.50	4.50	1.00
50	125.50	75.75	45.00	121.50	69.25	60.50	20.38	21.19	4.25	66.10	17.63	23.94	5.38	2.50	4.50	1.00
51	93.50	104.00	45.00	89.50	97.50	60.50	20.38	21.19	4.25	57.60	17.63	23.94	5.38	2.50	4.50	1.00
57	125.50	85.50	45.00	121.50	79.00	60.50	20.38	21.19	4.25	57.60	17.63	23.94	5.38	2.50	4.50	1.00
58	93.50	116.30	45.00	89.50	109.75	60.50	20.38	21.19	4.25	57.60	17.63	23.94	5.38	2.50	4.50	1.00
66	140.50	92.50	45.00	136.50	82.50	60.50	20.38	21.19	7.75	57.63	17.63	23.94	8.88	6.00	8.00	1.00
80	140.50	107.50	45.00	136.50	97.50	60.50	20.38	21.19	7.75	57.63	17.63	23.94	8.88	6.00	8.00	1.00
100	154.50	119.75	45.00	150.50	109.75	60.50	20.38	21.19	7.75	57.63	17.63	23.94	8.88	6.00	8.00	1.00
120	182.00	119.75	45.00	178.00	109.75	60.50	20.38	21.19	7.75	57.63	17.63	23.94	8.88	6.00	8.00	1.00

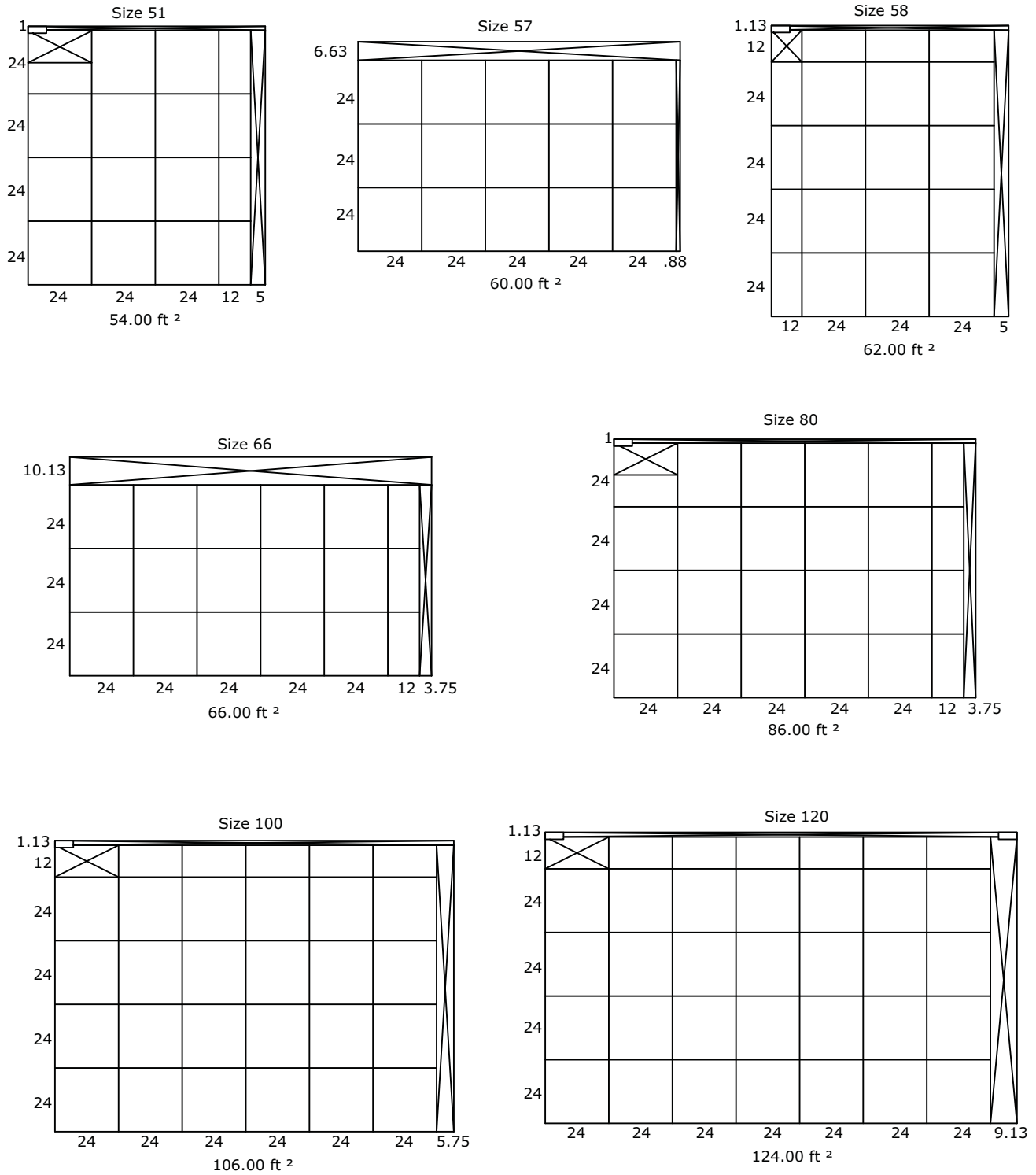
Note: ¹ Shipping split flange dimension is for shipping and installation planning purposes only and does not add to installed overall unit length. ² Base line includes the height for standard 2.5-inch integral base frame on unit sizes 3-57 and 6-inch integral base frame on unit sizes 66-120.

Figure 77. Front-load bag and cartridge filter placement for unit size 3-50



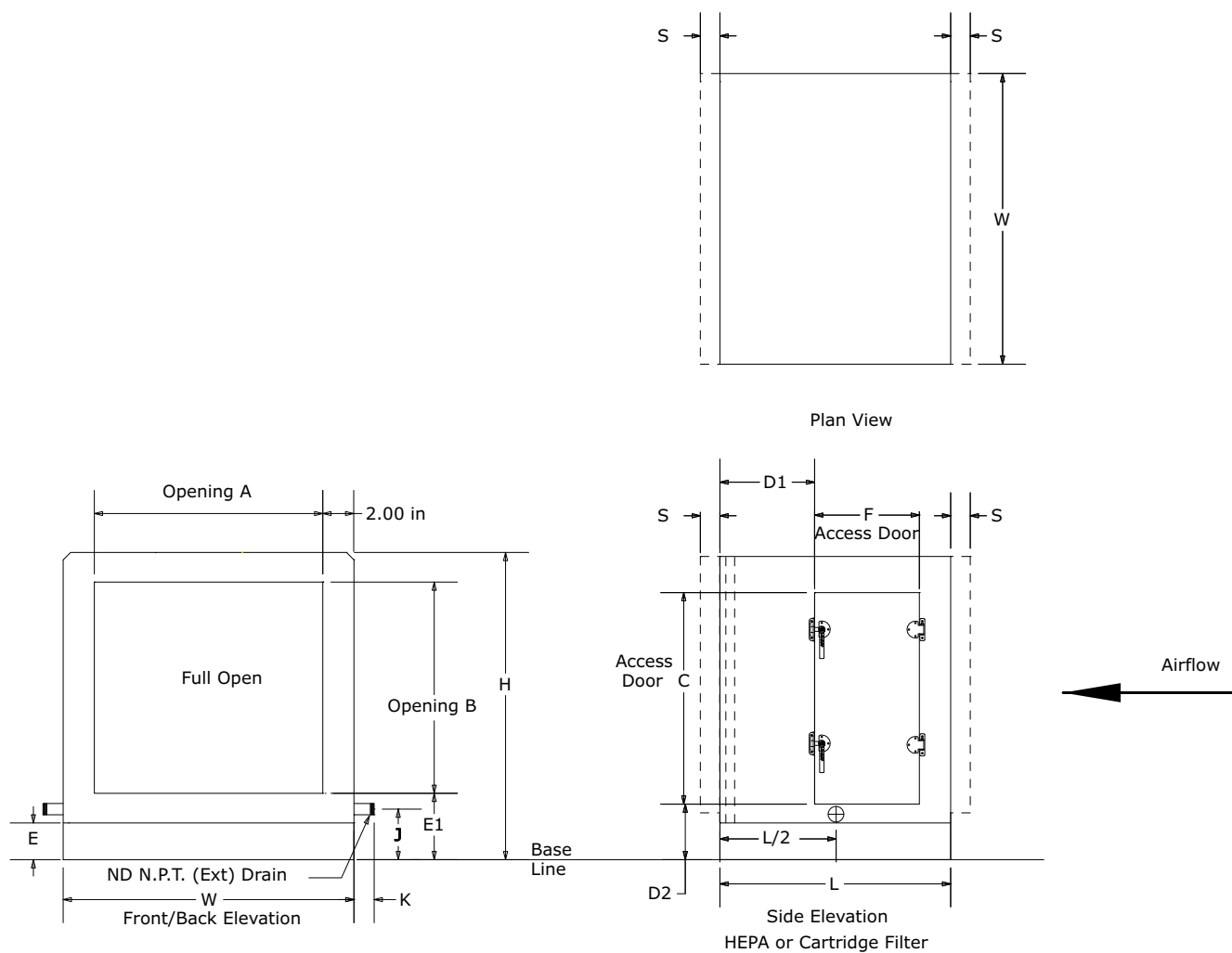
Dimensions

Figure 78. Front-loading bag and cartridge filter placement for unit size 57-120



HEPA Filter Section - Front Loading

Figure 79. HEPA filter section - front loading





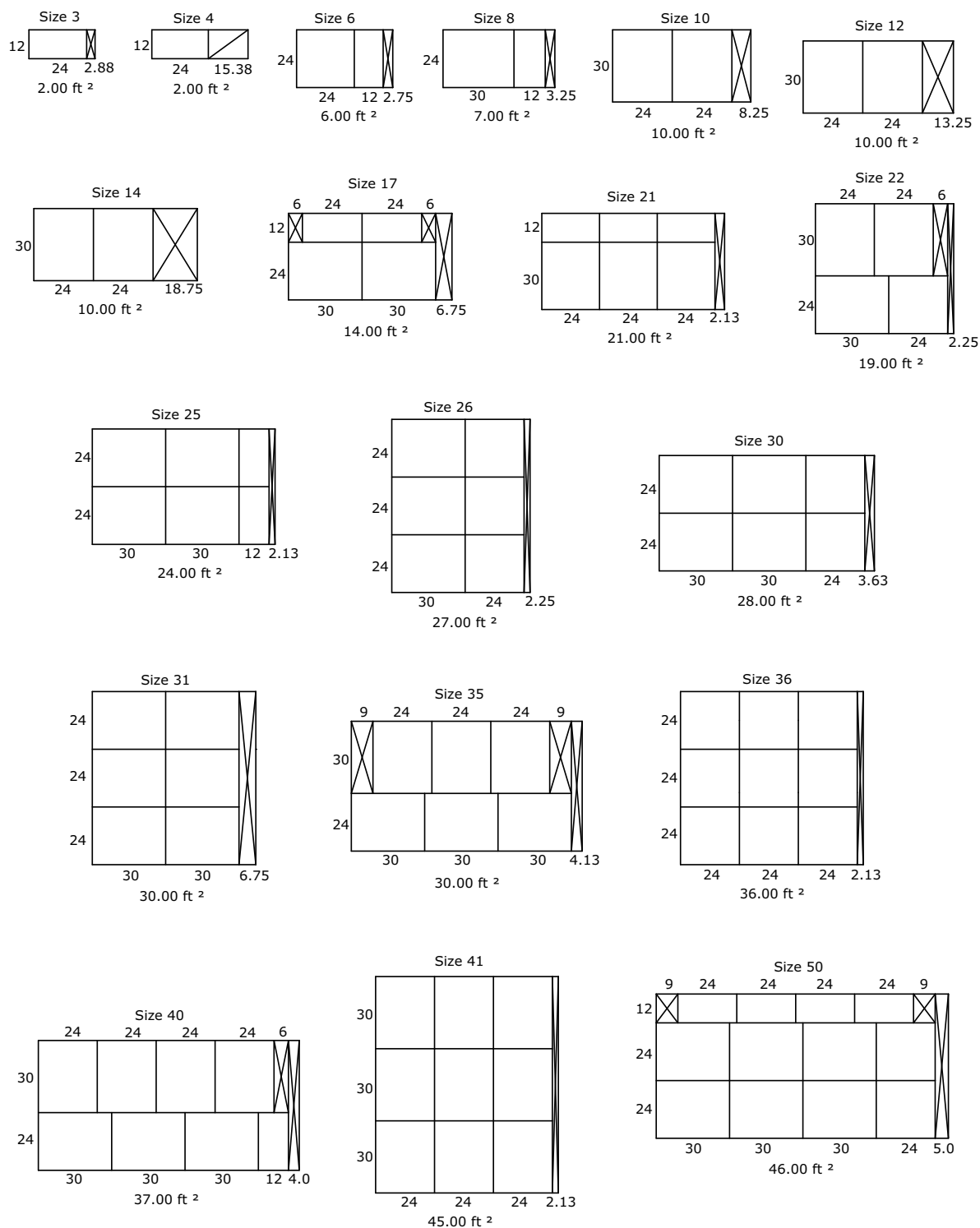
Dimensions

Table 111. HEPA filter section dimensions (inches) - front loading

Unit Size	W	H	L	Front/Back Opening		Outward Door				Inward Door				Base ²		S ¹
				A	B	C	F	D1	D2	C	F	D1	D2	E	E1	
3	31.50	29.00	40.00	27.50	22.50	22.25	20.38	16.19	4.25	19.38	17.63	18.94	5.38	2.50	4.50	1.00
4	44.00	29.00	40.00	40.00	22.50	22.25	20.38	16.19	4.25	19.38	17.63	18.94	5.38	2.50	4.50	1.00
6	44.00	35.25	40.00	40.00	28.75	28.50	20.38	16.19	4.25	25.63	17.63	18.94	5.38	2.50	4.50	1.00
8	50.50	37.75	40.00	46.50	31.25	31.00	20.38	16.19	4.25	28.13	17.63	18.94	5.38	2.50	4.50	1.00
10	61.50	37.75	40.00	57.50	31.25	31.00	20.38	16.19	4.25	28.13	17.63	18.94	5.38	2.50	4.50	1.00
12	66.50	41.50	40.00	62.50	35.00	34.75	20.38	16.19	4.25	31.88	17.63	18.94	5.38	2.50	4.50	1.00
14	72.00	41.50	40.00	68.00	35.00	34.75	20.38	16.19	4.25	31.88	17.63	18.94	5.38	2.50	4.50	1.00
17	72.00	49.00	40.00	68.00	42.50	42.25	20.38	16.19	4.25	39.38	17.63	18.94	5.38	2.50	4.50	1.00
21	80.00	52.75	40.00	76.00	46.25	46.00	20.38	16.19	4.25	43.13	17.63	18.94	5.38	2.50	4.50	1.00
22	61.5	67.25	40.00	57.50	60.75	60.50	20.38	16.19	4.25	57.60	17.63	18.94	5.38	2.50	4.50	1.00
25	80.00	61.50	40.00	76.00	55.00	54.75	20.38	16.19	4.25	51.90	17.63	18.94	5.38	2.50	4.50	1.00
26	61.50	85.50	40.00	57.50	79.00	60.50	20.38	16.19	4.25	57.60	17.63	18.94	5.38	2.50	4.50	1.00
30	93.50	61.50	40.00	89.50	55.00	54.75	20.38	16.19	4.25	51.90	17.63	18.94	5.38	2.50	4.50	1.00
31	72.00	85.50	40.00	68.00	79.00	60.50	20.38	16.19	4.25	57.60	17.63	18.94	5.38	2.50	4.50	1.00
35	100.00	67.25	40.00	96.00	60.75	60.50	20.38	16.19	4.25	57.60	17.63	18.94	5.38	2.50	4.50	1.00
36	80.00	89.00	40.00	76.00	82.50	60.50	20.38	16.19	4.25	57.60	17.63	18.94	5.38	2.50	4.50	1.00
40	112.50	67.25	40.00	108.50	60.75	60.50	20.38	16.19	4.25	57.60	17.63	18.94	5.38	2.50	4.50	1.00
41	80.00	104.00	40.00	76.00	97.50	60.50	20.38	16.19	4.25	57.60	17.63	18.94	5.38	2.50	4.50	1.00
50	125.50	75.75	40.00	121.50	69.25	60.50	20.38	16.19	4.25	66.10	17.63	18.94	5.38	2.50	4.50	1.00
51	93.50	104.00	40.00	89.50	97.50	60.50	20.38	16.19	4.25	57.60	17.63	18.94	5.38	2.50	4.50	1.00
57	125.50	85.50	40.00	121.50	79.00	60.50	20.38	16.19	4.25	57.60	17.63	18.94	5.38	2.50	4.50	1.00
58	93.50	116.30	40.00	89.50	109.75	60.50	20.38	16.19	4.25	57.60	17.63	18.94	5.38	2.50	4.50	1.00
66	140.50	92.50	40.00	136.50	82.50	60.50	20.38	16.19	7.75	57.63	17.63	18.94	8.88	6.00	8.00	1.00
80	140.50	107.50	40.00	136.50	97.50	60.50	20.38	16.19	7.75	57.63	17.63	18.94	8.88	6.00	8.00	1.00
100	154.50	119.75	40.00	150.50	109.75	60.50	20.38	16.19	7.75	57.63	17.63	18.94	8.88	6.00	8.00	1.00
120	182.00	119.75	40.00	178.00	109.75	60.50	20.38	16.19	7.75	57.63	17.63	18.94	8.88	6.00	8.00	1.00

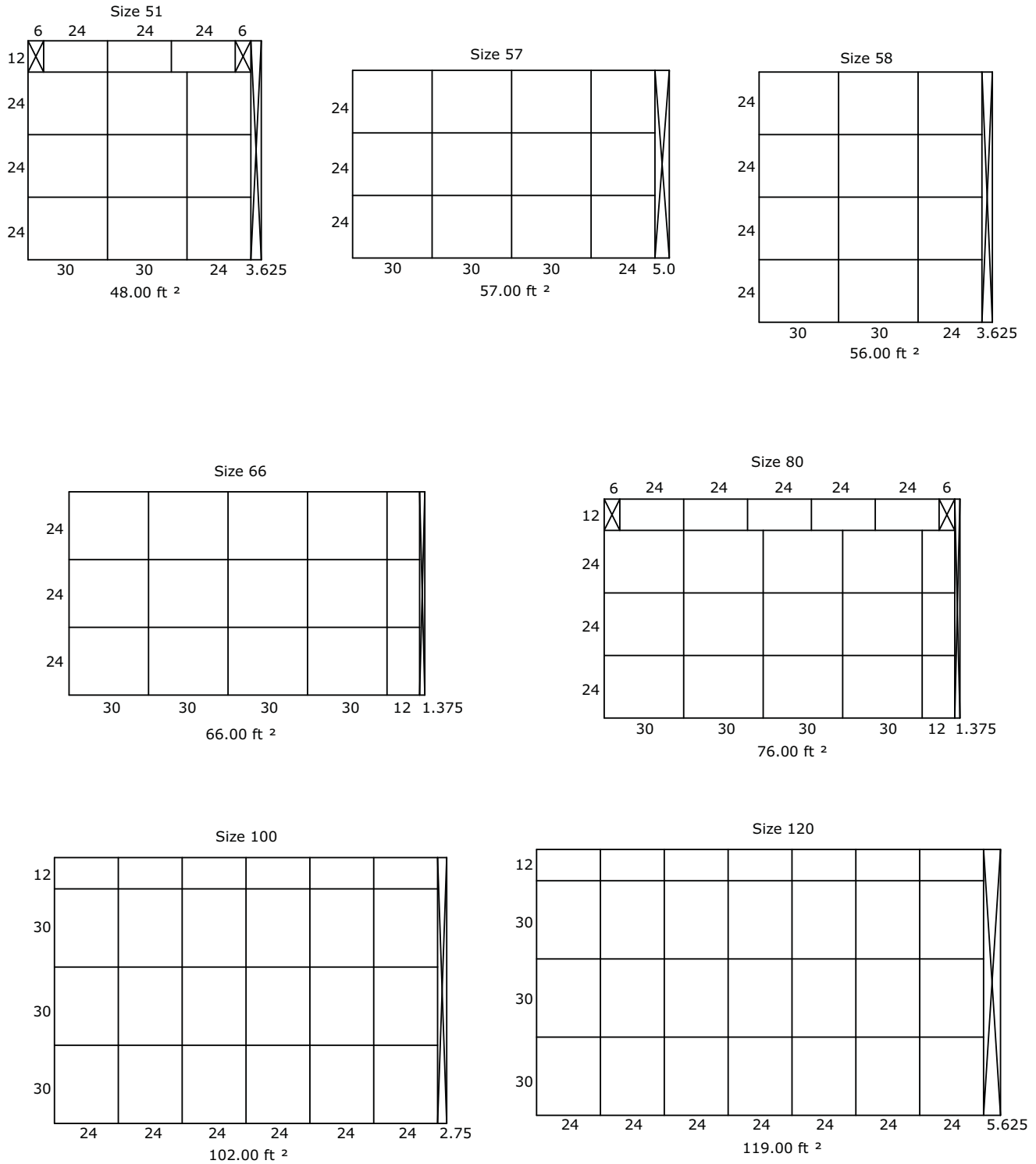
Note: ¹ Shipping split flange dimension is for shipping and installation planning purposes only and does not add to installed overall unit length. ² Base line includes the height for standard 2.5-inch integral base frame on unit sizes 3-57 and 6-inch integral base frame on unit sizes 66-120.

Figure 80. HEPA filter placement for unit size 3-50 - front loading



Dimensions

Figure 81. HEPA filter placement for unit size 57-120 - front loading



Gas Heat

Figure 82. Gas heat section

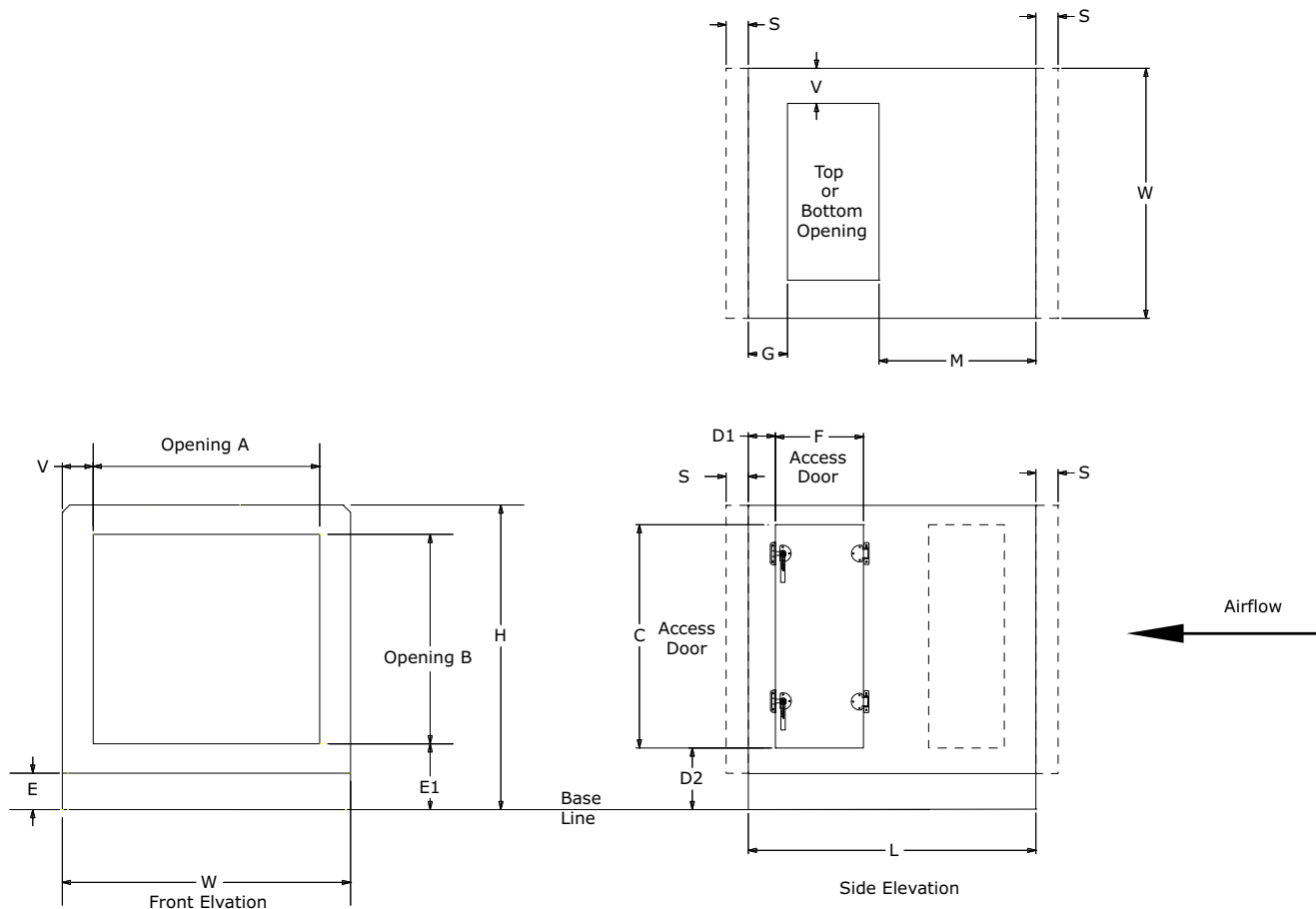


Table 112. Gas heat section dimensions (inches)

Unit size	MBH	Fan sizes	Vestibule type	W	Including vestibule W	H	Front/back opening Full open		Front discharge			
							A	B	A	B	E1	V
6	200	All	Ext	44.00	77.00	35.25	40.00	31.25	20.00	14.00	11.50	10.00
	300	All	Ext	44.00	69.75	35.25	40.00	31.25	20.00	14.00	11.38	10.00
8	200	All	Ext	50.50	77.50	37.75	46.50	33.75	22.00	16.00	11.63	10.00
	300	All	Ext	50.50	72.75	37.75	46.50	33.75	22.00	16.00	11.88	10.00
10	200	All	Ext	61.50	77.50	37.75	57.50	33.75	26.00	16.00	11.50	10.00
	360	All	Ext	61.50	96.13	37.75	57.50	33.75	26.00	16.00	11.63	10.00
12	200	All	Int	66.50	66.50	41.50	62.50	37.50	28.00	16.00	15.50	10.00
	360	All	Ext	66.50	87.50	41.50	62.50	37.50	42.00	16.00	12.50	10.00



Dimensions

Table 112. Gas heat section dimensions (inches)

Unit size	MBH	Fan sizes	Vestibule type	Including vestibule			Front/back opening Full open		Front discharge			
				W	W	H	A	B	A	B	E1	V
14	200	All	Int	72.00	72.00	41.50	68.00	37.50	30.00	18.00	13.50	10.00
	360	All	Ext	72.00	86.13	41.50	68.00	37.50	32.00	18.00	10.50	10.00
17	200	All	Int	72.00	72.00	49.00	68.00	45.00	34.00	18.00	17.50	6.00
	360	All	Ext	72.00	86.25	49.00	68.00	45.00	46.00	18.00	19.13	10.00
	560	All	Ext	72.00	86.25	49.00	68.00	45.00	46.00	18.00	22.63	10.00
	700	All	Ext	72.00	93.13	49.00	68.00	45.00	46.00	18.00	22.38	10.00
21	200	All	Int	80.00	80.00	52.75	76.00	48.75	33.00	23.00	15.25	7.00
	360	All	Ext	80.00	86.13	52.75	76.00	48.75	45.00	18.00	22.38	10.00
	560	All	Ext	80.00	86.13	52.75	76.00	48.75	45.00	18.00	26.38	10.00
	700	All	Ext	80.00	92.63	52.75	76.00	48.75	45.00	18.00	22.38	10.00
	860	All	Ext	80.00	97.63	52.75	76.00	48.75	45.00	18.00	26.38	10.00
	1000	All	Ext	80.00	103.00	52.75	76.00	48.75	45.00	18.00	26.38	10.00
25	360	All	Ext	80.00	86.25	61.50	76.00	57.50	45.00	22.00	20.13	10.00
	560	All	Ext	80.00	86.25	61.50	76.00	57.50	45.00	22.00	25.13	10.00
	700	All	Ext	80.00	92.75	61.50	76.00	57.50	45.00	22.00	27.13	10.00
	860	20/22 FA/FB/AA/AB	Ext	80.00	95.75	61.50	76.00	57.50	45.00	22.00	30.88	10.00
	860	18 FA/FB/AA/AB	Ext	80.00	95.75	61.50	76.00	57.50	45.00	22.00	26.38	10.00
	1000	20/22 FA/FB/AA/AB	Ext	80.00	103.13	61.50	76.00	57.50	45.00	22.00	30.88	10.00
	1000	18 FA/FB/AA/AB	Ext	80.00	103.13	61.50	76.00	57.50	45.00	22.00	26.38	10.00
30	360	All	Int	93.50	93.50	61.50	89.50	57.50	50.00	22.00	23.38	10.00
	560	All	Int	93.50	93.50	61.50	89.50	57.50	50.00	32.00	28.38	10.00
	700	All	Int	93.50	93.50	61.50	89.50	57.50	51.00	22.00	30.38	10.00
	860	All	Int	93.50	93.50	61.50	89.50	57.50	51.00	22.00	30.88	10.00
	1000	All	Ext	93.50	105.63	61.50	89.50	57.50	51.00	22.00	30.88	10.00
35	360	All	Int	100.00	100.00	67.25	96.00	63.25	53.00	24.00	24.38	16.00
	560	All	Int	100.00	100.00	67.25	96.00	63.25	51.00	32.00	21.38	16.00
	700	All	Int	100.00	100.00	67.25	96.00	63.25	51.00	32.00	23.38	14.00
	860	All	Int	100.00	100.00	67.25	96.00	63.25	53.00	32.00	25.38	12.00
	1000	All	Ext	100.00	106.63	67.25	96.00	63.25	53.00	32.00	25.38	10.00
	1250	25 FA/FB/AA/AB	Ext	100.00	124.00	67.25	96.00	63.25	49.00	32.00	16.38	10.00
	1250	20/22 FA/FB/AA/AB	Ext	100.00	124.00	67.25	96.00	63.25	49.00	32.00	24.38	10.00
	1500	25FA/FB/AA/AB	Ext	100.00	124.00	67.25	96.00	63.25	49.00	32.00	16.38	10.00
	1500	20/22 FA/FB/AA/AB	Ext	100.00	124.00	67.25	96.00	63.25	49.00	32.00	24.38	10.00
	1750	25 FA/FB/AA/AB	Ext	100.00	124.00	67.25	96.00	63.25	49.00	32.00	16.38	10.00
	1750	20/22 FA/FB/AA/AB	Ext	100.00	124.00	67.25	96.00	63.25	49.00	32.00	24.38	10.00

Table 112. Gas heat section dimensions (inches)

Unit size	MBH	Fan sizes	Vestibule type	Including vestibule			Front/back opening Full open		Front discharge			
				W	W	H	A	B	A	B	E1	V
40	560	All	Int	112.50	112.50	67.25	108.50	63.25	53.00	32.00	24.50	25.00
	700	All	Int	112.50	112.50	67.25	108.50	63.25	53.00	32.00	26.50	25.00
	860	All	Int	112.50	112.50	67.25	108.50	63.25	53.00	32.00	26.75	24.00
	1000	All	Ext	112.50	118.63	67.25	108.50	63.25	53.00	32.00	26.75	18.00
	1250	28/25 FA/FB/AA/AB	Ext	112.50	127.88	67.25	108.50	63.25	49.00	32.00	16.38	10.00
	1250	22FA/FB/AA/AB	Ext	112.50	127.88	67.25	108.50	63.25	49.00	32.00	24.38	10.00
	1500	28/25 FA/FB/AA/AB	Ext	112.50	127.88	67.25	108.50	63.25	49.00	32.00	16.38	10.00
	1750	22FA/FB/AA/AB	Ext	112.50	127.88	67.25	108.50	63.25	49.00	32.00	24.38	10.00
	1500	28/25 FA/FB/AA/AB	Ext	112.50	127.88	67.25	108.50	63.25	49.00	32.00	16.38	10.00
	1750	22FA/FB/AA/AB	Ext	112.50	127.88	67.25	108.50	63.25	49.00	32.00	24.38	10.00
50	560	All	Int	125.50	125.50	75.75	121.50	71.75	53.00	34.00	26.38	22.00
	700	All	Int	125.50	125.50	75.75	121.50	71.75	58.00	36.00	26.38	30.00
	860	All	Int	125.50	125.50	75.75	121.50	71.75	58.00	36.00	28.38	31.00
	1000	All	Int	125.50	125.50	75.75	121.50	71.75	58.00	36.00	28.38	29.50
	1250	32FA/FB/AA/AB	Ext	125.50	132.88	75.75	121.50	71.75	58.00	36.00	15.13	10.00
	1250	28/25 FA/FB/AA/AB	Ext	125.50	132.88	75.75	121.50	71.75	58.00	36.00	28.88	10.00
	1500	32FA/FB/AA/AB	Ext	125.50	132.88	75.75	121.50	71.75	58.00	36.00	15.13	10.00
	1500	28/25 FA/FB/AA/AB	Ext	125.50	132.88	75.75	121.50	71.75	58.00	36.00	28.88	10.00
	1750	32FA/FB/AA/AB	Ext	125.50	132.88	75.75	121.50	71.75	58.00	36.00	15.13	10.00
	1750	28/25 FA/FB/AA/AB	Ext	125.50	132.88	75.75	121.50	71.75	58.00	36.00	28.88	10.00
57	2000	32FA/FB/AA/AB	Ext	125.50	144.00	75.75	121.50	71.75	58.00	36.00	17.00	10.00
	2000	28/25 FA/FB/AA/AB	Ext	125.50	144.00	75.75	121.50	71.75	58.00	36.00	28.63	10.00
	560	All	Int	125.50	125.63	85.50	121.50	81.50	53.00	39.00	21.38	29.00
	700	All	Int	125.50	125.63	85.50	121.50	81.50	60.00	36.00	26.38	28.00
	860	All	Int	125.50	125.63	85.50	121.50	81.50	60.00	36.00	28.38	31.00
	1000	All	Int	125.50	125.63	85.50	121.50	81.50	60.00	36.00	28.38	29.50
	1250	All	Ext	125.50	133.00	85.50	121.50	81.50	60.00	36.00	30.38	10.00
	1500	All	Ext	125.50	133.00	85.50	121.50	81.50	60.00	36.00	30.38	10.00
	1750	All	Ext	125.50	133.00	85.50	121.50	81.50	60.00	36.00	30.38	10.00
	2000	All	Ext	125.50	144.13	85.50	121.50	81.50	60.00	36.00	32.38	10.00
66	700	All	Int	140.50	140.50	92.50	136.50	88.50	60.00	40.00	30.88	32.00
	860	All	Int	140.50	140.50	92.50	136.50	88.50	64.00	40.00	32.88	32.00
	1000	All	Int	140.50	140.50	92.50	136.50	88.50	63.00	40.00	32.88	35.00
	1250	All	Int	140.50	140.50	92.50	136.50	88.50	63.00	40.00	34.88	11.00
	1500	All	Int	140.50	140.50	92.50	136.50	88.50	63.00	40.00	34.88	11.00
	1750	All	Int	140.50	140.50	92.50	136.50	88.50	63.00	40.00	34.88	11.00
	2000	All	Ext	140.50	151.00	92.50	136.50	88.50	63.00	40.00	36.88	13.00
	2400	All	Ext	140.50	158.00	92.50	136.50	88.50	63.00	40.00	38.38	10.00



Dimensions

Table 112. Gas heat section dimensions (inches)

Unit size	MBH	Fan sizes	Vestibule type	Including vestibule			Front/back opening Full open		Front discharge			
				W	W	H	A	B	A	B	E1	V
80	860	All	Int	140.50	140.63	107.50	136.50	103.50	64.00	45.00	31.88	28.00
	1000	All	Int	140.50	140.63	107.50	136.50	103.50	70.00	41.00	35.88	29.00
	1250	All	Int	140.50	140.63	107.50	136.50	103.50	80.00	40.00	38.88	7.00
	1500	All	Int	140.50	140.63	107.50	136.50	103.50	80.00	40.00	38.88	7.00
	1750	All	Int	140.50	140.63	107.50	136.50	103.50	80.00	40.00	38.88	7.00
	2000	All	Ext	140.50	162.63	107.50	136.50	103.50	80.00	40.00	40.88	24.51
	2400	All	Ext	140.50	166.63	107.50	136.50	103.50	80.00	40.00	46.13	14.63
100	1000	44/40 FA/FB/AA/AB	Int	154.50	154.50	119.75	150.50	115.75	72.00	51.00	31.88	28.00
	1000	36/32 FA/FB/AA/AB	Int	154.50	154.50	119.75	150.50	115.75	72.00	51.00	25.88	28.00
	1250-1750	44 FA/FB/AA/AB	Int	154.50	154.50	119.75	150.50	115.75	90.00	44.00	40.88	31.00
	1250-1750	40 FA/FB/AA/AB	Int	154.50	154.50	119.75	150.50	115.75	90.00	44.00	40.88	31.00
	1250-1750	36 FA/FB/AA/AB	Int	154.50	154.50	119.75	150.50	115.75	90.00	44.00	34.88	31.00
	1250-1750	32 FA/FB/AA/AB	Int	154.50	154.50	119.75	150.50	115.75	90.00	44.00	34.88	31.00
	2000	44 FA/FB/AA/AB	Int	154.50	154.50	119.75	150.50	115.75	90.00	44.00	42.88	14.50
	2000	40 FA/FB/AA/AB	Int	154.50	154.50	119.75	150.50	115.75	90.00	44.00	42.88	14.50
	2000	36 FA/FB/AA/AB	Int	154.50	154.50	119.75	150.50	115.75	90.00	44.00	36.88	14.50
	2000	32 FA/FB/AA/AB	Int	154.50	154.50	119.75	150.50	115.75	90.00	44.00	36.88	14.50
	2400	44 FA/FB/AA/AB	Ext	154.50	167.50	119.75	150.50	115.75	90.00	44.00	48.13	9.62
	2400	40 FA/FB/AA/AB	Ext	154.50	167.50	119.75	150.50	115.75	90.00	44.00	48.25	9.62
	2400	36 FA/FB/AA/AB	Ext	154.50	167.50	119.75	150.50	115.75	90.00	44.00	42.13	9.62
2400	32 FA/FB/AA/AB	Ext	154.50	167.50	119.75	150.50	115.75	90.00	44.00	42.13	9.62	
120	1000	49/44/40 FA/FB/AA/AB	Int	182.00	182.00	119.75	178.00	115.75	72.00	61.00	28.38	45.00
	1000	36/32 FA/FB/AA/AB	Int	182.00	182.00	119.75	178.00	115.75	72.00	61.00	15.88	45.00
	1250-1750	49 FA/FB/AA/AB	Int	182.00	182.00	119.75	178.00	115.75	90.00	48.00	43.38	58.00
	1250-1750	44 FA/FB/AA/AB	Int	182.00	182.00	119.75	178.00	115.75	90.00	48.00	43.38	58.00
	1250-1750	40 FA/FB/AA/AB	Int	182.00	182.00	119.75	178.00	115.75	90.00	48.00	30.88	58.00
	1250-1750	36 FA/FB/AA/AB	Int	182.00	182.00	119.75	178.00	115.75	90.00	48.00	30.88	58.00
	1250-1750	32 FA/FB/AA/AB	Int	182.00	182.00	119.75	178.00	115.75	90.00	48.00	30.88	58.00
	2000	49 FA/FB/AA/AB	Int	182.00	182.00	119.75	178.00	115.75	105.00	48.00	45.38	42.00
	2000	44 FA/FB/AA/AB	Int	182.00	182.00	119.75	178.00	115.75	105.00	48.00	45.38	42.00
	2000	40 FA/FB/AA/AB	Int	182.00	182.00	119.75	178.00	115.75	105.00	48.00	32.88	42.00
	2000	36 FA/FB/AA/AB	Int	182.00	182.00	119.75	178.00	115.75	105.00	48.00	32.88	42.00
	2000	32 FA/FB/AA/AB	Int	182.00	182.00	119.75	178.00	115.75	105.00	48.00	32.88	42.00
	2400	49 FA/FB/AA/AB	Int	182.00	182.00	119.75	178.00	115.75	105.00	48.00	50.63	28.12
	2400	44 FA/FB/AA/AB	Int	182.00	182.00	119.75	178.00	115.75	105.00	48.00	50.63	28.12
2400	40 FA/FB/AA/AB	Int	182.00	182.00	119.75	178.00	115.75	105.00	48.00	38.13	28.12	
2400	36 FA/FB/AA/AB	Int	182.00	182.00	119.75	178.00	115.75	105.00	48.00	38.13	28.12	
2400	32 FA/FB/AA/AB	Int	182.00	182.00	119.75	178.00	115.75	105.00	48.00	38.13	28.12	

Table 113. Gas heat section dimensions (inches)

Unit size	MBH	Fan sizes	Vestibule type	Top Discharge				Bottom Discharge			
				A	B	G	V	A	B	G	V
6	200	All	Ext	20.00	14.00	5.50	10.00	26.81	9.50	9.00	9.63
	300	All	Ext	20.00	14.00	5.50	10.00	17.25	14.63	9.00	12.00
8	200	All	Ext	22.00	16.00	5.50	10.00	26.81	12.00	9.00	10.00
	300	All	Ext	22.00	16.00	5.50	10.00	17.25	19.88	9.00	15.00
10	200	All	Ext	26.00	16.00	5.50	10.00	26.81	16.00	9.00	10.00
	360	All	Ext	26.00	16.00	5.50	10.00	45.50	9.50	9.00	11.00
12	200	All	Int	28.00	16.00	5.50	10.00	26.81	19.00	9.00	10.00
	360	All	Ext	42.00	16.00	5.50	10.00	45.50	11.00	9.00	11.00
14	200	All	Int	30.00	18.00	5.50	10.00	26.81	21.00	9.00	12.00
	360	All	Ext	32.00	18.00	5.50	10.00	45.50	12.00	9.00	11.00
17	200	All	Int	34.00	18.00	5.50	6.00	26.81	25.75	9.00	10.00
	360	All	Ext	46.00	18.00	5.50	10.00	45.50	16.00	9.00	11.00
	560	All	Ext	46.00	18.00	5.50	10.00	43.75	16.00	9.00	11.50
	700	All	Ext	46.00	18.00	5.50	10.00	46.00	16.00	9.00	13.00
21	200	All	Int	33.00	23.00	5.50	7.00	26.81	32.75	9.00	11.00
	360	All	Ext	45.00	18.00	5.50	10.00	45.50	19.00	9.00	11.00
	560	All	Ext	45.00	18.00	5.50	10.00	43.75	19.88	9.00	11.50
	700	All	Ext	45.00	18.00	5.50	10.00	46.00	19.00	9.00	13.00
	860	All	Ext	45.00	18.00	5.50	10.00	49.00	18.00	9.00	13.00
	1000	All	Ext	45.00	18.00	5.50	10.00	55.00	16.00	9.00	14.50
25	360	All	Ext	45.00	22.00	5.50	10.00	45.50	23.00	9.00	11.00
	560	All	Ext	45.00	22.00	5.50	10.00	43.75	24.00	9.00	11.50
	700	All	Ext	45.00	22.00	5.50	10.00	46.00	23.00	9.00	13.00
	860	20/22 FA/FB/AA/AB	Ext	45.00	22.00	5.50	10.00	49.00	22.00	9.00	13.00
	860	18 FA/FB/AA/AB	Ext	45.00	22.00	5.50	10.00	49.00	22.00	9.00	13.00
	1000	20/22 FA/FB/AA/AB	Ext	45.00	22.00	5.50	10.00	55.00	19.00	9.00	14.50
30	360	All	Int	50.00	22.00	5.50	10.00	45.50	27.75	9.00	13.00
	560	All	Int	50.00	22.00	5.50	10.00	43.75	29.00	9.00	13.50
	700	All	Int	51.00	22.00	5.50	10.00	46.00	27.75	9.00	13.00
	860	All	Int	51.00	22.00	5.50	10.00	49.00	25.75	9.00	13.00
	1000	All	Ext	51.00	22.00	5.50	10.00	55.00	23.00	9.00	17.00
	35	360	All	Int	53.00	24.00	5.50	16.00	45.50	31.75	9.00
560		All	Int	51.00	32.00	5.50	16.00	43.75	34.00	9.00	21.50
700		All	Int	51.00	32.00	5.50	14.00	46.00	31.75	9.00	21.00
860		All	Int	53.00	32.00	5.50	12.00	49.00	30.00	9.00	19.00
1000		All	Ext	53.00	32.00	5.50	10.00	55.00	27.00	9.00	18.00
1250		25 FA/FB/AA/AB	Ext	49.00	32.00	5.50	10.00	80.13	19.00	9.00	11.00
1250		20/22 FA/FB/AA/AB	Ext	49.00	32.00	5.50	10.00	80.13	19.00	9.00	11.00
1500		25FA/FB/AA/AB	Ext	49.00	32.00	5.50	10.00	80.13	19.00	9.00	11.00
1500		20/22 FA/FB/AA/AB	Ext	49.00	32.00	5.50	10.00	80.13	19.00	9.00	11.00
1750		25 FA/FB/AA/AB	Ext	49.00	32.00	5.50	10.00	80.13	19.00	9.00	11.00
1750	20/22 FA/FB/AA/AB	Ext	49.00	32.00	5.50	10.00	80.13	19.00	9.00	11.00	



Dimensions

Table 113. Gas heat section dimensions (inches)

Unit size	MBH	Fan sizes	Vestibule type	Top Discharge				Bottom Discharge			
				A	B	G	V	A	B	G	V
40	560	All	Int	53.00	32.00	5.50	25.00	43.75	38.50	9.00	30.50
	700	All	Int	53.00	32.00	5.50	25.00	46.00	36.50	9.00	32.00
	860	All	Int	53.00	32.00	5.50	24.00	49.00	35.00	9.00	31.00
	1000	All	Ext	53.00	32.00	5.50	18.00	55.00	30.00	9.00	26.00
	1250	28/25 FA/FB/AA/AB	Ext	49.00	32.00	5.50	10.00	80.13	21.00	9.00	11.00
	1250	22FA/FB/AA/AB	Ext	49.00	32.00	5.50	10.00	80.13	21.00	9.00	11.00
	1500	28/25 FA/FB/AA/AB	Ext	49.00	32.00	5.50	10.00	80.13	21.00	9.00	11.00
	1750	22FA/FB/AA/AB	Ext	49.00	32.00	5.50	10.00	80.13	21.00	9.00	11.00
	1500	28/25 FA/FB/AA/AB	Ext	49.00	32.00	5.50	10.00	80.13	21.00	9.00	11.00
1750	22FA/FB/AA/AB	Ext	49.00	32.00	5.50	10.00	80.13	21.00	9.00	11.00	
50	560	All	Int	53.00	34.00	5.50	22.00	43.75	44.00	9.00	27.50
	700	All	Int	58.00	36.00	5.50	30.00	46.00	42.00	9.00	37.00
	860	All	Int	58.00	36.00	5.50	31.00	49.00	40.00	9.00	38.00
	1000	All	Int	58.00	36.00	5.50	29.50	55.00	34.00	9.00	37.50
	1250	32FA/FB/AA/AB	Ext	58.00	36.00	5.50	10.00	80.13	24.00	9.00	15.00
	1250	28/25 FA/FB/AA/AB	Ext	58.00	36.00	5.50	10.00	80.13	24.00	9.00	15.00
	1500	32FA/FB/AA/AB	Ext	58.00	36.00	5.50	10.00	80.13	24.00	9.00	15.00
	1500	28/25 FA/FB/AA/AB	Ext	58.00	36.00	5.50	10.00	80.13	24.00	9.00	15.00
	1750	32FA/FB/AA/AB	Ext	58.00	36.00	5.50	10.00	80.13	24.00	9.00	15.00
	1750	28/25 FA/FB/AA/AB	Ext	58.00	36.00	5.50	10.00	80.13	24.00	9.00	15.00
2000	32FA/FB/AA/AB	Ext	58.00	36.00	5.50	10.00	100.88	19.00	9.00	11.00	
2000	28/25 FA/FB/AA/AB	Ext	58.00	36.00	5.50	10.00	100.88	19.00	9.00	11.00	
57	560	All	Int	53.00	39.00	5.50	29.00	43.75	44.75	9.00	36.50
	700	All	Int	60.00	36.00	5.50	28.00	46.00	48.00	9.00	37.00
	860	All	Int	60.00	36.00	5.50	31.00	49.00	45.00	9.00	38.00
	1000	All	Int	60.00	36.00	5.50	29.50	55.00	40.00	9.00	37.50
	1250	All	Ext	60.00	36.00	5.50	10.00	80.13	27.75	9.00	15.00
	1500	All	Ext	60.00	36.00	5.50	10.00	80.13	27.75	9.00	15.00
	1750	All	Ext	60.00	36.00	5.50	10.00	80.13	27.75	9.00	15.00
	2000	All	Ext	60.00	36.00	5.50	10.00	100.88	22.00	9.00	11.00
66	700	All	Int	60.00	40.00	5.50	32.00	46.00	51.00	9.00	41.00
	860	All	Int	64.00	40.00	5.50	32.00	49.00	52.00	9.00	42.00
	1000	All	Int	63.00	40.00	5.50	35.00	55.00	46.00	9.00	43.00
	1250	All	Int	63.00	40.00	5.50	11.00	80.13	31.75	9.00	16.00
	1500	All	Int	63.00	40.00	5.50	11.00	80.13	31.75	9.00	16.00
	1750	All	Int	63.00	40.00	5.50	11.00	80.13	31.75	9.00	16.00
	2000	All	Ext	63.00	40.00	5.50	13.00	100.88	25.00	9.00	18.00
	2400	All	Ext	63.00	40.00	5.50	10.00	114.50	22.00	9.00	11.00
80	860	All	Int	64.00	45.00	5.50	28.00	49.00	55.00	9.00	38.00
	1000	All	Int	70.00	41.00	5.50	29.00	55.00	55.00	9.00	39.00
	1250	All	Int	80.00	40.00	5.50	7.00	80.13	38.00	9.00	12.00
	1500	All	Int	80.00	40.00	5.50	7.00	80.13	38.00	9.00	12.00
	1750	All	Int	80.00	40.00	5.50	7.00	80.13	38.00	9.00	12.00
	2000	All	Ext	80.00	40.00	5.50	24.51	100.88	30.00	9.00	29.63
2400	All	Ext	80.00	40.00	5.50	14.63	114.50	27.00	9.00	19.75	

Table 113. Gas heat section dimensions (inches)

Unit size	MBH	Fan sizes	Vestibule type	Top Discharge				Bottom Discharge				
				A	B	G	V	A	B	G	V	
100	1000	44/40 FA/FB/AA/AB	Int	72.00	51.00	5.50	28.00	55.00	58.00	9.00	40.00	
	1000	36/32 FA/FB/AA/AB	Int	72.00	51.00	5.50	28.00	55.00	58.00	9.00	40.00	
	1250-1750	44 FA/FB/AA/AB	Int	90.00	44.00	5.50	31.00	80.13	48.00	9.00	39.00	
	1250-1750	40 FA/FB/AA/AB	Int	90.00	44.00	5.50	31.00	80.13	48.00	9.00	39.00	
	1250-1750	36 FA/FB/AA/AB	Int	90.00	44.00	5.50	31.00	80.13	48.00	9.00	39.00	
	1250-1750	32 FA/FB/AA/AB	Int	90.00	44.00	5.50	31.00	80.13	48.00	9.00	39.00	
	2000	44 FA/FB/AA/AB	Int	90.00	44.00	5.50	14.50	100.88	38.00	9.00	19.50	
	2000	40 FA/FB/AA/AB	Int	90.00	44.00	5.50	14.50	100.88	38.00	9.00	19.50	
	2000	36 FA/FB/AA/AB	Int	90.00	44.00	5.50	14.50	100.88	38.00	9.00	19.50	
	2000	32 FA/FB/AA/AB	Int	90.00	44.00	5.50	14.50	100.88	38.00	9.00	19.50	
	2400	44 FA/FB/AA/AB	Ext	90.00	44.00	5.50	9.62	114.50	34.00	9.00	14.63	
	2400	40 FA/FB/AA/AB	Ext	90.00	44.00	5.50	9.62	114.50	34.00	9.00	14.63	
	2400	36 FA/FB/AA/AB	Ext	90.00	44.00	5.50	9.62	114.50	34.00	9.00	14.63	
	2400	32 FA/FB/AA/AB	Ext	90.00	44.00	5.50	9.62	114.50	34.00	9.00	14.63	
	120	1000	49/44/40 FA/FB/AA/AB	Int	72.00	61.00	5.50	45.00	55.00	67.50	9.00	57.00
		1000	36/32 FA/FB/AA/AB	Int	72.00	61.00	5.50	45.00	55.00	67.50	9.00	57.00
1250-1750		49 FA/FB/AA/AB	Int	90.00	48.00	5.50	58.00	80.13	57.00	9.00	67.25	
1250-1750		44 FA/FB/AA/AB	Int	90.00	48.00	5.50	58.00	80.13	57.00	9.00	67.25	
1250-1750		40 FA/FB/AA/AB	Int	90.00	48.00	5.50	58.00	80.13	57.00	9.00	67.25	
1250-1750		36 FA/FB/AA/AB	Int	90.00	48.00	5.50	58.00	80.13	57.00	9.00	67.25	
1250-1750		32 FA/FB/AA/AB	Int	90.00	48.00	5.50	58.00	80.13	57.00	9.00	67.25	
2000		49 FA/FB/AA/AB	Int	105.00	48.00	5.50	42.00	100.88	46.00	9.00	47.00	
2000		44 FA/FB/AA/AB	Int	105.00	48.00	5.50	42.00	100.88	46.00	9.00	47.00	
2000		40 FA/FB/AA/AB	Int	105.00	48.00	5.50	42.00	100.88	46.00	9.00	47.00	
2000		36 FA/FB/AA/AB	Int	105.00	48.00	5.50	42.00	100.88	46.00	9.00	47.00	
2000		32 FA/FB/AA/AB	Int	105.00	48.00	5.50	42.00	100.88	46.00	9.00	47.00	
2400		49 FA/FB/AA/AB	Int	105.00	48.00	5.50	28.12	114.50	40.00	9.00	33.13	
2400		44 FA/FB/AA/AB	Int	105.00	48.00	5.50	28.12	114.50	40.00	9.00	33.13	
2400		40 FA/FB/AA/AB	Int	105.00	48.00	5.50	28.12	114.50	40.00	9.00	33.13	
2400		36 FA/FB/AA/AB	Int	105.00	48.00	5.50	28.12	114.50	40.00	9.00	33.13	
2400	32 FA/FB/AA/AB	Int	105.00	48.00	5.50	28.12	114.50	40.00	9.00	33.13		

Table 114. Gas heat section dimensions (inches)

Unit size	MBH	Fan sizes	Vestibule type	Outward Door				Base ²		Ship split	L	Outward door	
				Hinged Indoor ³	Hinged Outdoor ³	C	D2	E	E1	S ¹		F	D1
6	200	All	Ext	AL	AL	23.25	4.25	2.50	4.50	1.00	55.00	26.25	22.00
	300	All	Ext	AL	AL	23.25	4.25	2.50	4.50	1.00	69.00	28.25	35.28
8	200	All	Ext	AL	AL	25.75	4.25	2.50	4.50	1.00	55.00	26.25	22.00
	300	All	Ext	AL	AL	25.75	4.25	2.50	4.50	1.00	69.00	28.25	35.38
10	200	All	Ext	AL	AL	25.75	4.25	2.50	4.50	1.00	55.00	26.25	22.00
	360	All	Ext	AL	AL	25.75	4.25	2.50	4.50	1.00	67.00	28.25	28.00
12	200	All	Int	AL	AE	32.62	4.25	2.50	4.50	1.00	52.00	29.00	22.50
	360	All	Ext	AL	AL	29.50	4.25	2.50	4.50	1.00	65.00	28.25	27.88
14	200	All	Int	AL	AE	32.62	4.25	2.50	4.50	1.00	52.00	29.00	22.50
	360	All	Ext	AL	AL	29.50	4.25	2.50	4.50	1.00	61.00	28.25	27.88



Dimensions

Table 114. Gas heat section dimensions (inches)

Unit size	MBH	Fan sizes	Vestibule type	Outward Door		Base ²		Ship split		Outward door			
				Hinged Indoor ³	Hinged Outdoor ³	C	D2	E	E1	S ¹	L	F	D1
17	200	All	Int	AL	AE	40.12	4.25	2.50	4.50	1.00	52.00	29.00	22.50
	360	All	Ext	AL	AL	37.00	4.25	2.50	4.50	1.00	61.00	28.25	27.88
	560	All	Ext	AL	AL	37.00	4.25	2.50	4.50	1.00	64.00	28.25	28.50
	700	All	Ext	AL	AL	37.00	4.25	2.50	4.50	1.00	73.00	30.25	34.25
21	200	All	Int	AL	AE	43.87	4.25	2.50	4.50	1.00	52.00	29.00	22.50
	360	All	Ext	AL	AL	40.75	4.25	2.50	4.50	1.00	61.00	28.25	27.88
	560	All	Ext	AL	AL	40.75	4.25	2.50	4.50	1.00	64.00	28.25	28.50
	700	All	Ext	AL	AL	40.75	4.25	2.50	4.50	1.00	73.00	30.25	34.25
	860	All	Ext	AL	AL	40.75	4.25	2.50	4.50	1.00	73.00	30.25	35.63
	1000	All	Ext	AL	AL	40.75	4.25	2.50	4.50	1.00	76.00	30.25	35.50
25	360	All	Ext	AL	AL	49.50	4.25	2.50	4.50	1.00	61.00	28.25	27.88
	560	All	Ext	AL	AL	49.50	4.25	2.50	4.50	1.00	64.00	28.25	28.50
	700	All	Ext	AL	AL	49.50	4.25	2.50	4.50	1.00	73.00	30.25	34.25
	860	20/22 FA/FB/AA/AB	Ext	AL	AL	49.50	4.25	2.50	4.50	1.00	73.00	30.25	35.63
	860	18 FA/FB/AA/AB	Ext	AL	AL	49.50	4.25	2.50	4.50	1.00	73.00	30.25	35.63
	1000	20/22 FA/FB/AA/AB	Ext	AL	AL	49.50	4.25	2.50	4.50	1.00	76.00	30.25	35.50
	1000	18 FA/FB/AA/AB	Ext	AL	AL	49.50	4.25	2.50	4.50	1.00	76.00	30.25	35.50
30	360	All	Int	AL	AE	52.62	4.25	2.50	4.50	1.00	61.00	29.00	27.88
	560	All	Int	AL	AE	52.62	4.25	2.50	4.50	1.00	61.00	29.00	28.50
	700	All	Int	AL	AE	52.62	4.25	2.50	4.50	1.00	67.00	31.00	34.25
	860	All	Int	AL	AE	52.62	4.25	2.50	4.50	1.00	71.00	31.00	36.63
	1000	All	Ext	AL	AL	49.50	4.25	2.50	4.50	1.00	75.00	30.25	35.50
35	360	All	Int	AL	AE	58.37	4.25	2.50	4.50	1.00	61.00	29.00	27.88
	560	All	Int	AL	AE	58.37	4.25	2.50	4.50	1.00	61.00	29.00	28.50
	700	All	Int	AL	AE	58.37	4.25	2.50	4.50	1.00	67.00	31.00	34.25
	860	All	Int	AL	AE	58.37	4.25	2.50	4.50	1.00	71.00	31.00	36.63
	1000	All	Ext	AL	AL	55.25	4.25	2.50	4.50	1.00	73.00	30.25	35.50
	1250	25 FA/FB/AA/AB	Ext	AL	AL	55.25	4.25	2.50	4.50	1.00	94.00	32.00	51.75
	1250	20/22 FA/FB/AA/AB	Ext	AL	AL	55.25	4.25	2.50	4.50	1.00	94.00	32.00	50.63
	1500	25FA/FB/AA/AB	Ext	AL	AL	55.25	4.25	2.50	4.50	1.00	94.00	32.00	51.75
	1500	20/22 FA/FB/AA/AB	Ext	AL	AL	55.25	4.25	2.50	4.50	1.00	94.00	32.00	50.63
	1750	25 FA/FB/AA/AB	Ext	AL	AL	55.25	4.25	2.50	4.50	1.00	94.00	32.00	51.75
1750	20/22 FA/FB/AA/AB	Ext	AL	AL	55.25	4.25	2.50	4.50	1.00	94.00	32.00	50.63	
40	560	All	Int	AL	AE	58.37	4.25	2.50	4.50	1.00	61.00	29.00	28.50
	700	All	Int	AL	AE	58.37	4.25	2.50	4.50	1.00	67.00	31.00	34.25
	860	All	Int	AL	AE	58.37	4.25	2.50	4.50	1.00	71.00	31.00	36.63
	1000	All	Ext	AL	AL	55.25	4.25	2.50	4.50	1.00	73.00	30.25	35.50
	1250	28/25 FA/FB/AA/AB	Ext	AL	AL	55.25	4.25	2.50	4.50	1.00	91.00	32.00	51.75
	1250	22FA/FB/AA/AB	Ext	AL	AL	55.25	4.25	2.50	4.50	1.00	91.00	32.00	50.63
	1500	28/25 FA/FB/AA/AB	Ext	AL	AL	55.25	4.25	2.50	4.50	1.00	91.00	32.00	51.75
	1750	22FA/FB/AA/AB	Ext	AL	AL	55.25	4.25	2.50	4.50	1.00	91.00	32.00	50.63
	1500	28/25 FA/FB/AA/AB	Ext	AL	AL	55.25	4.25	2.50	4.50	1.00	91.00	32.00	51.75
	1750	22FA/FB/AA/AB	Ext	AL	AL	55.25	4.25	2.50	4.50	1.00	91.00	32.00	50.63

Table 114. Gas heat section dimensions (inches)

Unit size	MBH	Fan sizes	Vestibule type	Outward Door				Base ²		Ship split	L	Outward door	
				Hinged Indoor ³	Hinged Outdoor ³	C	D2	E	E1	S ¹		F	D1
50	560	All	Int	AL	AL	66.87	4.25	2.50	4.50	1.00	61.00	29.00	28.50
	700	All	Int	AL	AL	66.87	4.25	2.50	4.50	1.00	67.00	31.00	34.25
	860	All	Int	AL	AL	66.87	4.25	2.50	4.50	1.00	71.00	31.00	36.63
	1000	All	Int	AL	AL	66.87	4.25	2.50	4.50	1.00	71.00	31.00	35.50
	1250	32FA/FB/AA/AB	Ext	AL	AL	63.75	4.25	2.50	4.50	1.00	94.00	32.00	51.75
	1250	28/25 FA/FB/AA/AB	Ext	AL	AL	63.75	4.25	2.50	4.50	1.00	94.00	32.00	50.63
	1500	32FA/FB/AA/AB	Ext	AL	AL	63.75	4.25	2.50	4.50	1.00	94.00	32.00	51.75
	1500	28/25 FA/FB/AA/AB	Ext	AL	AL	63.75	4.25	2.50	4.50	1.00	94.00	32.00	50.63
	1750	32FA/FB/AA/AB	Ext	AL	AL	63.75	4.25	2.50	4.50	1.00	94.00	32.00	51.75
	1750	28/25 FA/FB/AA/AB	Ext	AL	AL	63.75	4.25	2.50	4.50	1.00	94.00	32.00	50.63
	2000	32FA/FB/AA/AB	Ext	AL	AL	63.75	4.25	2.50	4.50	1.00	100.00	32.00	53.13
	2000	28/25 FA/FB/AA/AB	Ext	AL	AL	63.75	4.25	2.50	4.50	1.00	100.00	32.00	52.00
57	560	All	Int	AL	AL	76.62	4.25	2.50	4.50	1.00	61.00	29.00	28.50
	700	All	Int	AL	AL	76.62	4.25	2.50	4.50	1.00	67.00	31.00	34.25
	860	All	Int	AL	AL	76.62	4.25	2.50	4.50	1.00	71.00	31.00	36.63
	1000	All	Int	AL	AL	76.62	4.25	2.50	4.50	1.00	71.00	31.00	35.50
	1250	All	Ext	AL	AL	73.50	4.25	2.50	4.50	1.00	94.00	32.00	51.75
	1500	All	Ext	AL	AL	73.50	4.25	2.50	4.50	1.00	94.00	32.00	51.75
	1750	All	Ext	AL	AL	73.50	4.25	2.50	4.50	1.00	94.00	32.00	51.75
	2000	All	Ext	AL	AL	73.50	4.25	2.50	4.50	1.00	100.00	32.00	53.13
66	700	All	Int	AL	AL	58.63	7.75	6.00	8.00	1.00	67.00	32.75	33.25
	860	All	Int	AL	AL	58.63	7.75	6.00	8.00	1.00	71.00	32.75	35.75
	1000	All	Int	AL	AL	58.63	7.75	6.00	8.00	1.00	71.00	32.75	34.63
	1250	All	Int	AL	AL	58.63	7.75	6.00	8.00	1.00	94.00	32.75	47.75
	1500	All	Int	AL	AL	58.63	7.75	6.00	8.00	1.00	94.00	32.75	47.75
	1750	All	Int	AL	AL	58.63	7.75	6.00	8.00	1.00	94.00	32.75	47.75
	2000	All	Ext	AL	AL	60.00	7.75	6.00	8.00	1.00	98.00	32.00	53.13
	2400	All	Ext	AL	AL	60.00	7.75	6.00	8.00	1.00	101.00	32.00	53.25
80	860	All	Int	AL	AL	58.63	7.75	6.00	8.00	1.00	71.00	32.75	35.75
	1000	All	Int	AL	AL	58.63	7.75	6.00	8.00	1.00	71.00	32.75	34.63
	1250	All	Int	AL	AL	58.63	7.75	6.00	8.00	1.00	94.00	32.75	47.75
	1500	All	Int	AL	AL	58.63	7.75	6.00	8.00	1.00	94.00	32.75	47.75
	1750	All	Int	AL	AL	58.63	7.75	6.00	8.00	1.00	94.00	32.75	47.75
	2000	All	Ext	AL	AL	60.00	7.75	6.00	8.00	1.00	101.00	32.00	53.13
	2400	All	Ext	AL	AL	60.00	7.75	6.00	8.00	1.00	99.00	32.00	53.25



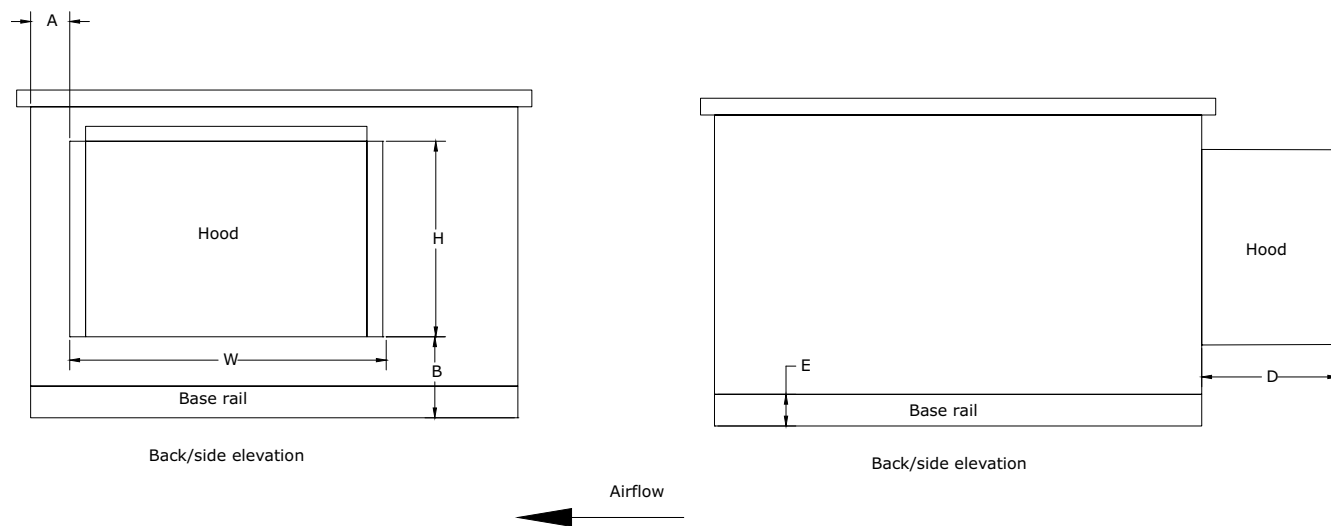
Dimensions

Table 114. Gas heat section dimensions (inches)

Unit size	MBH	Fan sizes	Vest-ibule type	Outward Door				Base ²		Ship split	L	Outward door	
				Hinged Indoor ³	Hinged Outdoor ³	C	D2	E	E1	S ¹		F	D1
100	1000	44/40 FA/FB/AA/AB	Int	AL	AL	58.63	7.75	6.00	8.00	1.00	71.00	32.75	36.13
	1000	36/32 FA/FB/AA/AB	Int	AL	AL	58.63	7.75	6.00	8.00	1.00	71.00	32.75	36.13
	1250-1750	44 FA/FB/AA/AB	Int	AL	AL	58.63	7.75	6.00	8.00	1.00	83.00	32.75	47.75
	1250-1750	40 FA/FB/AA/AB	Int	AL	AL	58.63	7.75	6.00	8.00	1.00	83.00	32.75	47.75
	1250-1750	36 FA/FB/AA/AB	Int	AL	AL	58.63	7.75	6.00	8.00	1.00	83.00	32.75	47.75
	1250-1750	32 FA/FB/AA/AB	Int	AL	AL	58.63	7.75	6.00	8.00	1.00	83.00	32.75	47.75
	2000	44 FA/FB/AA/AB	Int	AL	AL	58.63	7.75	6.00	8.00	1.00	89.00	32.75	49.13
	2000	40 FA/FB/AA/AB	Int	AL	AL	58.63	7.75	6.00	8.00	1.00	94.00	32.75	49.13
	2000	36 FA/FB/AA/AB	Int	AL	AL	58.63	7.75	6.00	8.00	1.00	98.00	32.75	49.13
	2000	32 FA/FB/AA/AB	Int	AL	AL	58.63	7.75	6.00	8.00	1.00	102.00	32.75	49.13
	2400	44 FA/FB/AA/AB	Ext	AL	AL	60.00	7.75	6.00	8.00	1.00	96.00	32.00	54.25
	2400	40 FA/FB/AA/AB	Ext	AL	AL	60.00	7.75	6.00	8.00	1.00	100.00	32.00	54.25
	2400	36 FA/FB/AA/AB	Ext	AL	AL	60.00	7.75	6.00	8.00	1.00	100.00	32.00	54.25
	2400	32 FA/FB/AA/AB	Ext	AL	AL	60.00	7.75	6.00	8.00	1.00	104.00	32.00	54.25
120	1000	49/44/40 FA/FB/AA/AB	Int	AL	AL	58.63	7.75	6.00	8.00	1.00	84.00	32.75	37.63
	1000	36/32 FA/FB/AA/AB	Int	AL	AL	58.63	7.75	6.00	8.00	1.00	84.00	32.75	37.63
	1250-1750	49 FA/FB/AA/AB	Int	AL	AL	58.63	7.75	6.00	8.00	1.00	91.00	32.75	47.75
	1250-1750	44 FA/FB/AA/AB	Int	AL	AL	58.63	7.75	6.00	8.00	1.00	91.00	32.75	47.75
	1250-1750	40 FA/FB/AA/AB	Int	AL	AL	58.63	7.75	6.00	8.00	1.00	89.00	32.75	47.75
	1250-1750	36 FA/FB/AA/AB	Int	AL	AL	58.63	7.75	6.00	8.00	1.00	89.00	32.75	47.75
	1250-1750	32 FA/FB/AA/AB	Int	AL	AL	58.63	7.75	6.00	8.00	1.00	89.00	32.75	47.75
	2000	49 FA/FB/AA/AB	Int	AL	AL	58.63	7.75	6.00	8.00	1.00	94.00	32.75	49.13
	2000	44 FA/FB/AA/AB	Int	AL	AL	58.63	7.75	6.00	8.00	1.00	94.00	32.75	49.13
	2000	40 FA/FB/AA/AB	Int	AL	AL	58.63	7.75	6.00	8.00	1.00	91.00	32.75	49.13
	2000	36 FA/FB/AA/AB	Int	AL	AL	58.63	7.75	6.00	8.00	1.00	91.00	32.75	49.13
	2000	32 FA/FB/AA/AB	Int	AL	AL	58.63	7.75	6.00	8.00	1.00	94.00	32.75	49.13
	2400	49 FA/FB/AA/AB	Int	AL	AL	58.63	7.75	6.00	8.00	1.00	91.00	32.75	49.25
	2400	44 FA/FB/AA/AB	Int	AL	AL	58.63	7.75	6.00	8.00	1.00	91.00	32.75	49.25
2400	40 FA/FB/AA/AB	Int	AL	AL	58.63	7.75	6.00	8.00	1.00	100.00	32.75	49.25	
2400	36 FA/FB/AA/AB	Int	AL	AL	58.63	7.75	6.00	8.00	1.00	100.00	32.75	49.25	
2400	32 FA/FB/AA/AB	Int	AL	AL	58.63	7.75	6.00	8.00	1.00	104.00	32.75	49.25	

Note: ¹Shipping split flange dimension is for shipping planning purposes only and does not add to installed overall unit length. ²Base line includes the height for standard 2.5-inch integral base frame on unit sizes 3-57 and 6-inch integral base frame on unit sizes 66-120. ³Hinged on air-entering (AE) side or air-leaving (AL) side.

Hoods

Figure 83. Hood


Economizer inlet hood

Table 115. Economizer inlet hood dimensions (inches)

Unit size	Section length	W	D	H	B	A	E	D + 1 inch Gutter	Total Elim Area in ²	Total Elim Area ft ²
3	45.50	27.63	15.07	20.63	8.41	1.84	6.00	16.07	330.80	2.30
4	49.00	39.50	16.00	20.75	9.50	1.88	6.00	17.00	525.15	3.65
6	49.50	39.50	17.88	24.50	11.75	2.25	6.00	18.88	652.46	4.53
8	48.00	39.50	21.38	30.00	8.75	2.13	6.00	22.38	833.12	5.79
10	53.00	45.75	21.38	30.00	8.75	2.00	6.00	22.38	946.21	6.57
12	53.00	45.75	22.88	34.75	7.88	2.00	6.00	23.88	1114.56	7.74
14	56.50	52.75	34.86	31.75	10.63	1.84	6.00	35.86	1485.10	10.31
17	52.00	48.25	42.62	41.00	9.00	1.84	6.00	43.62	1792.89	12.45
21	62.50	55.25	35.25	45.75	8.13	2.00	6.00	36.25	2146.42	14.91
25	57.00	53.25	40.23	54.38	8.13	1.88	6.00	41.23	2517.07	17.48
30	62.50	58.75	40.23	54.38	8.13	2.00	6.00	41.23	2834.88	19.69
35	75.00	68.13	34.88	59.25	8.63	2.13	6.00	35.88	3279.87	22.78
40	83.00	79.13	40.23	54.38	12.38	1.85	6.00	41.23	4012.52	27.86
50	72.00	68.04	64.21	66.72	10.13	2.13	6.00	65.21	4674.96	32.46
57	75.50	71.54	51.18	73.34	13.25	2.13	6.00	52.18	4880.29	33.89
66	83.00	78.79	56.04	81.75	8.13	2.38	6.00	57.04	6121.98	42.51
80	86.00	81.79	64.12	95.75	8.13	2.38	6.00	65.12	7348.53	51.03
100	93.00	87.29	71.89	109.22	8.13	3.88	6.00	72.89	9094.11	63.15
120	93.00	89.33	99.87	109.22	8.13	1.84	6.00	100.87	10,483.19	72.80



Dimensions

Economizer exhaust hood

Table 116. Economizer exhaust hood dimensions (inches)

Unit Size	Section length	W	D	H	A	B	E	D + 1-inch Gutter
3	45.50	20.00	15.38	18.88	2.00	11.25	6.00	16.38
4	49.00	20.00	15.38	18.88	2.00	11.25	6.00	16.38
6	49.50	20.00	17.50	22.75	2.00	13.50	6.00	18.50
8	48.00	20.00	19.75	27.25	2.00	11.50	6.00	20.75
10	53.00	22.88	19.75	27.25	2.00	11.50	6.00	20.75
12	53.00	22.88	23.00	34.00	2.00	8.63	6.00	24.00
14	56.50	31.38	21.13	34.75	2.00	8.13	6.00	22.13
17	52.00	25.75	24.75	37.50	2.00	12.50	6.00	25.75
21	62.50	29.13	27.75	43.75	2.13	10.13	6.00	28.75
25	57.00	25.75	32.13	52.75	2.13	9.88	6.00	33.13
30	62.50	27.88	35.25	54.38	2.13	8.38	6.00	36.25
35	75.00	40.88	34.00	56.50	2.00	11.75	6.00	35.00
40	83.00	40.88	35.00	58.50	2.00	9.75	6.00	36.00
50	72.00	39.63	38.75	66.25	2.00	10.50	6.00	39.75
57	75.50	37.25	43.38	75.75	2.00	10.75	6.00	44.38
66	83.00	37.25	48.63	76.38	1.88	11.50	6.00	49.63
80	86.00	37.25	57.13	90.88	1.88	12.00	6.00	58.13
100	93.00	43.00	60.50	100.88	1.88	14.25	6.00	61.50
120	93.00	48.75	63.00	101.88	1.88	13.75	6.00	64.00

Back inlet hood

Table 117. Back inlet hood dimensions (inches)

Unit size	Section	W	D	H	A	B	E ¹	Elim Area (ft ²)
3	Back inlet hood with bladed damper	22.25	16.63	21.00	4.63	5.63	6.00	2.82
	Back inlet hood with Traq damper	22.25	16.63	21.00	5.13	4.25	6.00	2.82
4	Back inlet hood with damper	44.00	17.88	24.63	0.00	3.38	6.00	6.96
	Back inlet hood with Traq damper	44.00	17.88	24.63	0.00	3.38	6.00	6.96
	Back inlet hood with low-flow Traq damper	44.00	17.88	24.63	0.00	3.38	6.00	6.96
6	Back inlet hood with damper	44.00	17.38	26.50	0.00	6.00	6.00	7.52
	Back inlet hood with Traq damper	44.00	17.38	26.50	0.00	3.38	6.00	7.52
	Traq damper ST (to bottom damper)	44.00	17.38	26.50	0.00	6.00	6.00	7.52
	Traq damper DT (low-flow Traq only)	44.00	17.38	26.50	0.00	6.00	6.00	7.52
8	Traq damper DT (low-flow Traq to bottom damper)	44.00	17.38	26.50	0.00	6.00	6.00	7.52
	Back inlet hood	50.38	22.25	33.38				
	Back face end-of-unit damper	50.38	22.25	33.38	0.00	3.38	6.00	11.06
	Back face back Traq std to bottom damper; low-flow Traq to bottom damper	50.38	22.25	33.38	0.00	3.38	6.00	11.06

Table 117. Back inlet hood dimensions (inches)

Unit size	Section	W	D	H	A	B	E	Elim Area (ft ²)
10	Back inlet hood	61.50	17.38	22.00				
	Back face end-of-unit damper	61.50	17.38	22.00	0.00	10.25	6.00	8.81
	Back face back Traq std to bottom damper; low-flow Traq to bottom damper	61.50	17.38	22.00	0.00	14.38	6.00	8.81
12	Back inlet hood	66.38	19.38	26.75				
	Back face end-of-unit damper	66.38	19.38	26.75	0.00	9.25	6.00	11.74
	Back face back Traq std only/to bottom damper; low-flow Traq only/bottom damper	66.38	19.38	26.75	0.00	13.38	6.00	11.74
14	Back inlet hood	71.88	19.38	26.75				
	Back face end-of-unit damper	71.88	19.38	26.75	0.00	9.25	6.00	12.73
	Back face back Traq std only/to bottom damper; low-flow Traq only/bottom damper	71.88	19.38	26.75	0.00	12.13	6.00	12.73
17	Back inlet hood	72.00	21.38	30.75				
	Back face end-of-unit damper	72.00	21.38	30.75	0.00	12.75	6.00	14.74
	Back face back Traq std only/to bottom damper; low-flow Traq only/bottom damper	72.00	21.38	30.75	0.00	12.75	6.00	14.74
21	Back inlet hood	79.88	22.63	34.25				
	Back inlet hood with dampers	79.88	22.63	34.25	0.00	14.00	6.00	18.39
	Traq damper; std/to top std, to bottom damper; low-flow only/bottom damper	79.88	22.63	34.25	0.00	14.00	6.00	18.39
25	Back inlet hood	79.88	25.63	39.50				
	Back inlet hood with dampers	79.88	25.63	39.50	0.00	10.88	6.00	21.32
	Traq damper; std; low-flow	79.88	25.63	39.50	0.00	10.88	6.00	21.32
30	Back inlet hood	93.38	27.75	44.63				
	Back inlet hood with dampers	93.38	27.75	44.63	0.00	11.38	6.00	28.37
	Traq damper; std only, to bottom damper; low-flow only/bottom damper	93.38	27.75	44.63	0.00	11.38	6.00	28.37
35	Back inlet hood	99.88	27.75	44.63	0.00	11.50	6.00	30.39
40	Back inlet hood	112.38	27.75	44.63	0.00	11.50	6.00	34.29
50	Back inlet hood	125.38	29.50	47.50	0.00	16.38	6.00	40.87
57	Back inlet hood	125.38	33.00	54.50	0.00	17.88	6.00	47.10
66	Back inlet hood	126.00	42.63	74.50	7.38	13.38	6.00	64.99
80	Back inlet hood	126.00	45.13	79.50	7.38	15.88	6.00	69.42
100	Back inlet hood	140.00	47.00	83.50	7.38	19.00	6.00	81.29
120	Back inlet hood	167.25	47.00	83.50	7.50	18.88	6.00	97.40

Note: 16.00 inch base rail used on bottom level of unit. 2.50 in base rail used on upper level units.



Dimensions

Side inlet hood

Table 118. Side inlet hood dimensions (inches)

Unit size	Section length	Section	W	D	H	A	B	E	Elim Area (ft ²)
3		Side inlet hood	20.00	15.38	18.88				
	34.00	Side inlet hood with damper (L excludes top Traq)	20.00	15.38	18.88	4.88	5.88	6.00	2.23
	34.00	Side inlet hood with Traq damper (L)	20.00	15.38	18.88	4.00	5.25	6.00	2.23
	37.00	Side inlet hood with Traq damper (XL)	20.00	15.38	18.88	4.00	5.25	6.00	2.23
4		Side inlet hood	20.00	15.38	18.88				
	34.00	Side inlet hood with damper (L excludes top Traq)	20.00	15.38	18.88	5.88	4.88	6.00	2.23
	34.00	Side inlet hood with damper (XL)	20.00	15.38	18.88	12.88	4.88	6.00	2.23
	34.00	Side inlet hood with Traq damper (L)	20.00	15.38	18.88	4.00	5.25	6.00	2.23
	41.00	Side inlet hood with Traq damper (XL)	20.00	15.38	18.88	1.50	5.25	6.00	2.23
6		Side inlet hood	20.00	17.50	22.75				
	34.00	Side inlet hood with damper (L excludes top Traq)	20.00	17.50	22.75	5.88	5.63	6.00	2.72
	34.00	Side inlet hood with Traq damper (L)	20.00	17.50	22.75	4.00	6.50	6.00	2.72
8		Side inlet hood	20.00	19.75	27.25				
	36.00	Side inlet hood with damper (L)	20.00	19.75	27.25	6.38	7.38	6.00	3.29
	Top	Side inlet hood with damper (XL)	20.00	19.75	27.25	21.63	5.25	6.00	3.29
	36.00	Side inlet hood with Traq damper (L)	20.00	19.75	27.25	6.00	5.25	6.00	3.29
	44.00	Side inlet hood with Traq damper (XL)	20.00	19.75	27.25	6.00	5.25	6.00	3.29
10		Side inlet hood	22.88	19.75	27.25				
	36.00	Side inlet hood with damper (L)	22.88	19.75	27.25	5.75	4.75	6.00	3.81
	36.00	Side inlet hood with Traq damper (L)	22.88	19.75	27.25	2.13	4.75	6.00	3.81
12		Side inlet hood	22.88	23.00	34.00				
	36.00	Side inlet hood with damper (L)	22.88	23.00	34.00	5.13	5.13	6.00	4.80
	42.50	Side inlet hood with damper (XL excludes top Traq)	22.88	23.00	34.00	4.00	5.13	6.00	4.80
	36.00	Side inlet hood with Traq damper (L)	22.88	23.00	34.00	2.63	5.13	6.00	4.80
	42.50	Side inlet hood with Traq damper (XL)	22.88	23.00	34.00	2.63	5.13	6.00	4.80
14		Side inlet hood	31.38	21.13	34.75				
	36.00	Side inlet hood with damper (L excludes back Traq)	31.38	21.13	34.75	2.38	4.63	6.00	6.98
	42.50	Side inlet hood with damper (L back Traq)	31.38	21.13	34.75	2.00	4.63	6.00	6.98
	36.00	Side inlet hood with Traq damper (L exclude to top Traq only)	31.35	21.12	34.75	2.31	4.63	6.00	6.98
17		Side inlet hood	25.75	24.75	37.50				
	36.00	Side inlet hood with damper (L exclude back Traq)	25.75	24.75	37.50	6.38	4.88	6.00	6.09
	36.00	Side inlet hood with damper (L back Traq)	25.75	24.75	37.50	1.50	8.63	6.00	6.09
	36.00	Side inlet hood with Traq damper (L exclude to back Traq only)	25.75	24.75	37.50	2.88	4.88	6.00	6.09
	36.00	Side inlet hood with Traq damper (L to back Traq only)	25.75	24.75	37.50	2.88	4.88	6.00	6.09
21		Side inlet hood	29.13	27.75	43.75				
	34.00	Side inlet hood with damper (L)	29.13	27.75	43.75	3.25	6.75	6.00	8.15
	50.25	Side inlet hood with damper (XL)	29.13	27.75	43.75	3.25	5.00	6.00	8.15
	34.00	Side inlet hood with Traq damper (L exclude bottom damper)	29.13	27.75	43.75	2.63	4.88	6.00	8.15
	34.00	Side inlet hood with Traq damper (L bottom damper)	29.13	27.75	43.75	2.63	6.75	6.00	8.15
	50.25	Side inlet hood with Traq damper (XL)	29.13	27.75	43.75	1.50	4.88	6.00	8.15

Table 118. Side inlet hood dimensions (inches)

Unit size	Section length	Section	W	D	H	A	B	E	Elim Area (ft ²)
		Side inlet hood	25.75	32.13	52.75				
25	46.00	Side inlet hood with damper (L)	25.75	32.13	52.75	6.38	5.63	6.00	8.65
	56.50	Side inlet hood with damper (XL)	25.75	32.13	52.75	6.38	5.63	6.00	8.65
	46.00	Side inlet hood with Traq damper (L)	25.75	32.13	52.75	7.00	5.63	6.00	8.65
	top	Side inlet hood with Traq damper (XL)	25.75	32.13	52.75	7.00	5.63	6.00	8.65
		Side inlet hood	27.88	35.25	54.38				
30	46.00	Side inlet hood with damper (L)	27.88	35.25	54.38	4.38	4.88	6.00	9.68
	56.50	Side inlet hood with damper (XL)	27.88	35.25	54.38	4.38	4.88	6.00	9.68
	46.00	Side inlet hood with Traq damper (L)	27.88	35.25	54.38	9.13	4.75	6.00	9.68
	56.50	Side inlet hood with Traq damper (XL exclude top Traq)	27.88	35.25	54.38	9.13	4.75	6.00	9.68
		Side inlet hood	40.88	34.00	56.50				
35	48.00	Side inlet hood with damper (L)	40.88	34.00	56.50	3.63	6.88	6.00	15.25
	48.00	Side inlet hood with Traq damper (L)	40.88	34.00	56.50	3.63	6.88	6.00	15.25
	63.75	Side inlet hood with Traq damper (XL)	40.88	34.00	56.50	9.63	6.88	6.00	15.25
		Side inlet hood	40.88	35.00	58.50				
40	48.00	Side inlet hood with damper (L)	40.88	35.00	58.50	3.63	5.88	6.00	15.80
	48.00	Side inlet hood with Traq damper (L)	40.88	35.00	58.50	3.63	5.88	6.00	15.80
	63.75	Side inlet hood with Traq damper (XL)	40.88	35.00	58.50	9.63	5.88	6.00	15.80
		Side inlet hood	39.63	38.75	66.25				
50	68.50	Side inlet hood with Traq damper (XL)	44.75	38.75	66.25	5.75	6.25	6.00	19.76
	48.00	Side inlet hood with damper (L)	39.63	38.75	66.25	5.25	6.25	6.00	17.39
	48.00	Side inlet hood with Traq damper (L)	39.63	38.75	66.25	5.25	6.25	6.00	17.39
		Side inlet hood	37.25	43.38	75.75				
57	48.00	Side inlet hood with damper (L)	37.25	43.38	75.75	6.38	6.25	6.00	18.67
	68.50	Side inlet hood with Traq damper (XL)	37.25	43.38	75.75	5.38	6.25	6.00	18.67
		Side inlet hood	37.25	48.63	76.38				
66	49.00	Side inlet hood with damper	37.25	48.63	76.38	5.38	11.50	6.00	18.80
	49.00	Side inlet hood with Traq damper (L)	37.25	48.63	76.38	5.38	11.50	6.00	18.80
	84.00	Side inlet hood with Traq damper (XL)	37.25	48.63	76.38	7.38	11.50	6.00	18.80
		Side inlet hood with Traq damper	40.63	57.13	90.88				
80	54.00	Side inlet hood with damper	37.25	57.13	90.88	5.38	12.00	6.00	22.43
	54.00	Side inlet hood with Traq damper (L)	40.63	57.13	90.88	5.75	12.00	6.00	24.54
	92.00	Side inlet hood with Traq damper (XL)	40.63	57.13	90.88	5.75	12.00	6.00	24.54
100	60.00	Side inlet hood with damper	43.00	60.50	100.88	5.38	14.25	6.00	29.05
	96.00	Side inlet hood with Traq damper (XL)	74.88	60.50	100.88	5.50	14.25	6.00	51.83
120	60.00	Side inlet hood with damper	48.75	63.00	101.88	5.38	13.25	6.00	33.50
	96.00	Side inlet hood with Traq damper (XL)	72.00	63.00	101.88	7.88	13.25	6.00	50.29



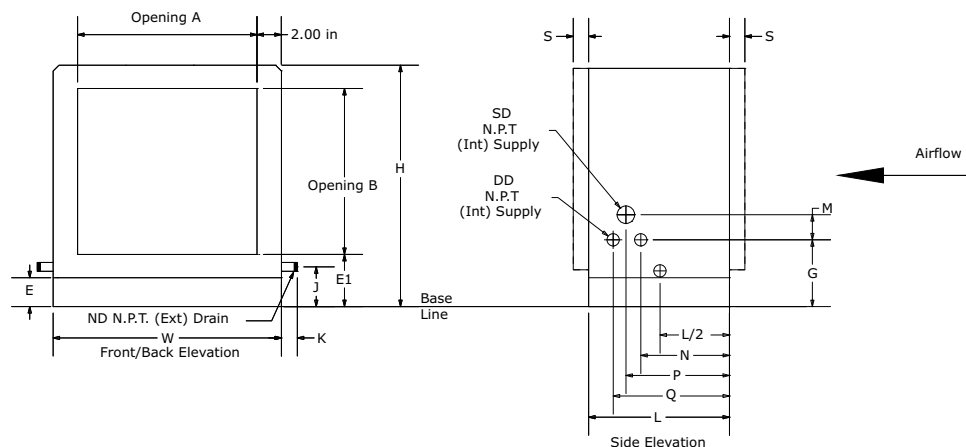
Dimensions

Exhaust hood

Table 119. Exhaust hood dimensions (inches)

Unit size	Section length	Section	W	D	H	A	B	E
3	19.00	Exhaust hood with damper (L exclude top Traq)	20.00	15.38	18.88	4.88	5.88	6.00
4	19.00	Exhaust hood with damper (L exclude top Traq)	20.00	15.38	18.88	5.88	4.88	6.00
6	19.00	Exhaust hood with damper (L exclude top Traq)	20.00	17.50	22.75	5.88	5.63	6.00
8	19.00	Exhaust hood with damper (L)	20.00	19.75	27.25	6.38	7.38	6.00
10	19.00	Exhaust hood with damper (L)	22.88	19.75	27.25	5.75	4.75	6.00
12	19.00	Exhaust hood with damper (L)	22.88	23.00	34.00	5.13	5.13	6.00
14	19.00	Exhaust hood with damper (L exclude back Traq)	31.38	21.13	34.75	2.38	4.63	6.00
17	19.00	Exhaust hood with damper (L exclude back Traq)	25.75	24.75	37.50	6.38	8.63	6.00
21	19.00	Exhaust hood with damper (L)	29.13	27.75	43.75	3.25	6.75	6.00
25	19.00	Exhaust hood with damper (L)	25.75	32.13	52.75	6.38	5.63	6.00
30	19.00	Exhaust hood with damper (L)	27.88	35.25	54.38	4.38	4.88	6.00
35	22.44	Exhaust hood with damper (L)	40.88	34.00	56.50	3.63	6.88	6.00
40	22.44	Exhaust hood with damper (L)	40.88	35.00	58.50	3.63	5.88	6.00
50	22.44	Exhaust hood with damper (L)	39.63	38.75	66.25	5.25	6.25	6.00
57	22.44	Exhaust hood with damper (L)	37.25	43.38	75.75	6.38	6.25	6.00
66	22.44	Exhaust hood with damper	37.25	48.63	76.38	2.13	8.13	6.00
80	22.44	Exhaust hood with damper	37.25	57.13	90.88	2.13	8.63	6.00
100	22.44	Exhaust hood with damper	43.00	60.50	100.88	2.00	10.88	6.00
120	22.44	Exhaust hood with damper	48.75	63.00	101.88	2.13	9.88	6.00

Humidifier

Figure 84. Atmospheric steam humidifier

Table 120. Humidifier - atmospheric steam - dimensions (inches)

Unit size	Front/back opening			Base ²										Pipe diameter			S ¹	
	W	H	L	A	B	E	E1	G	J	K	M	N	P	Q	SD	DD		ND
3	31.50	29.00	14.00	27.50	22.50	2.50	4.50	7.18	3.38	2.63	4.76	5.29	8.27	n/a	2.00	1.00	1.00	1.00
4	44.00	29.00	14.00	40.00	22.50	2.50	4.50	7.18	3.38	2.63	4.76	5.29	8.27	n/a	2.00	1.00	1.00	1.00
6	44.00	35.25	14.00	40.00	28.75	2.50	4.50	7.18	3.38	2.63	4.76	5.29	8.27	n/a	2.00	1.00	1.00	1.00
8	50.50	37.75	14.00	46.50	31.25	2.50	4.50	7.18	3.38	2.63	4.76	5.29	8.27	n/a	2.00	1.00	1.00	1.00
10	61.50	37.75	14.00	57.50	31.25	2.50	4.50	7.18	3.38	2.63	4.76	5.29	8.27	n/a	2.00	1.00	1.00	1.00
12	66.50	41.50	14.00	62.50	35.00	2.50	4.50	7.18	3.38	2.63	4.76	5.29	8.27	n/a	2.00	1.00	1.00	1.00
14	72.00	41.50	14.00	68.00	35.00	2.50	4.50	7.18	3.38	2.63	4.76	5.29	8.27	n/a	2.00	1.00	1.00	1.00
17	72.00	49.00	14.00	68.00	42.50	2.50	4.50	6.93	3.38	2.63	4.76	5.29	8.27	n/a	4.00	1.00	1.00	1.00
21	80.00	52.75	14.00	76.00	46.25	2.50	4.50	6.93	3.38	2.63	4.76	5.29	8.27	n/a	4.00	1.00	1.00	1.00
22	61.50	67.25	14.00	57.50	60.75	2.50	4.50	6.93	3.30	2.39	4.76	5.29	8.27	n/a	4.00	1.00	1.00	1.00
25	80.00	61.50	14.00	76.00	55.00	2.50	4.50	6.93	3.38	2.63	4.76	5.29	8.27	n/a	4.00	1.00	1.00	1.00
26	61.50	85.50	14.00	57.50	79.00	2.50	4.50	6.93	3.30	2.39	4.76	5.29	8.27	n/a	4.00	1.00	1.00	1.00
30	93.50	61.50	19.00	89.50	55.00	2.50	4.50	7.07	3.38	2.63	4.76	7.79	10.77	13.75	4.00	1.00	1.00	1.00
31	72.00	85.50	14.00	68.00	79.00	2.50	4.50	6.93	3.30	2.39	4.76	5.29	8.27	n/a	4.00	1.00	1.00	1.00
35	100.00	67.25	19.00	96.00	60.75	2.50	4.50	7.07	3.38	3.63	4.76	7.79	10.77	13.75	4.00	1.00	1.25	1.00
36	80.00	89.00	14.00	76.00	82.50	2.50	4.50	6.93	3.30	2.39	4.76	5.29	8.27	n/a	4.00	1.00	1.00	1.00
40	112.50	67.25	19.00	108.50	60.75	2.50	4.50	7.07	3.38	3.63	4.76	7.79	10.77	13.75	4.00	1.00	1.25	1.00
41	80.00	104.00	14.00	76.00	97.50	2.50	4.50	6.93	3.30	2.39	4.76	5.29	8.27	n/a	4.00	1.00	1.00	1.00
50	125.50	75.75	19.00	121.50	69.25	2.50	4.50	7.07	3.38	3.63	4.76	7.79	10.77	13.75	4.00	1.00	1.25	1.00
51	93.50	104.00	19.00	89.50	97.50	2.50	4.50	7.07	3.30	2.39	4.76	7.79	10.77	13.75	4.00	1.00	1.00	1.00
57	125.50	85.50	19.00	121.50	79.00	2.50	4.50	7.07	3.38	3.63	4.76	7.79	10.77	13.75	4.00	1.00	1.25	1.00
58	93.50	116.25	19.00	89.50	109.75	2.50	4.50	7.07	3.30	2.39	4.76	7.79	10.77	13.75	4.00	1.00	1.00	1.00
66	140.50	92.50	19.00	136.50	82.50	6.00	8.00	10.57	6.13	3.63	4.76	7.79	10.77	13.75	4.00	1.00	1.50	1.00
80	140.50	107.50	19.00	136.50	97.50	6.00	8.00	10.57	6.13	3.63	4.76	7.79	10.77	13.75	4.00	1.00	1.50	1.00
100	154.50	119.75	19.00	150.50	109.75	6.00	8.00	10.57	6.13	3.63	4.76	7.79	10.77	13.75	4.00	1.00	1.50	1.00
120	182.00	119.75	19.00	178.00	109.75	6.00	8.00	10.57	6.13	3.63	4.76	7.79	10.77	13.75	4.00	1.00	1.50	1.00

Figure 85. Direct-steam humidifier

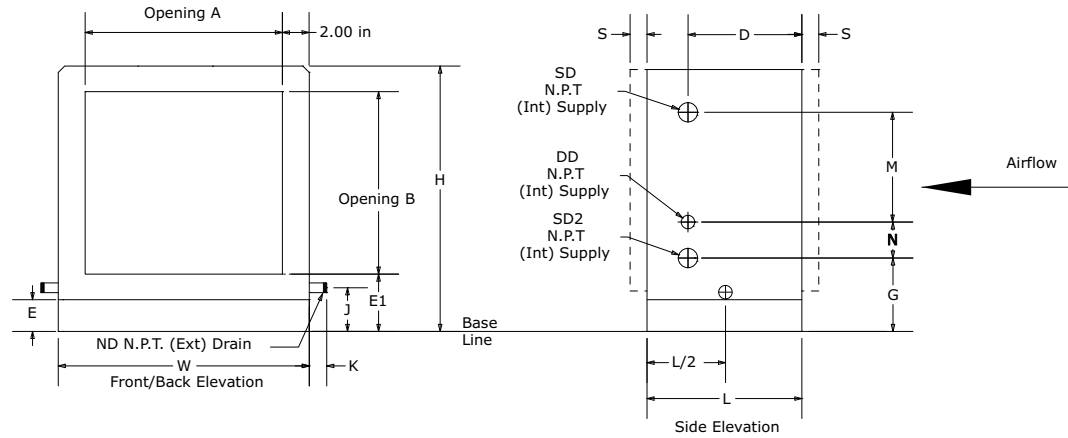
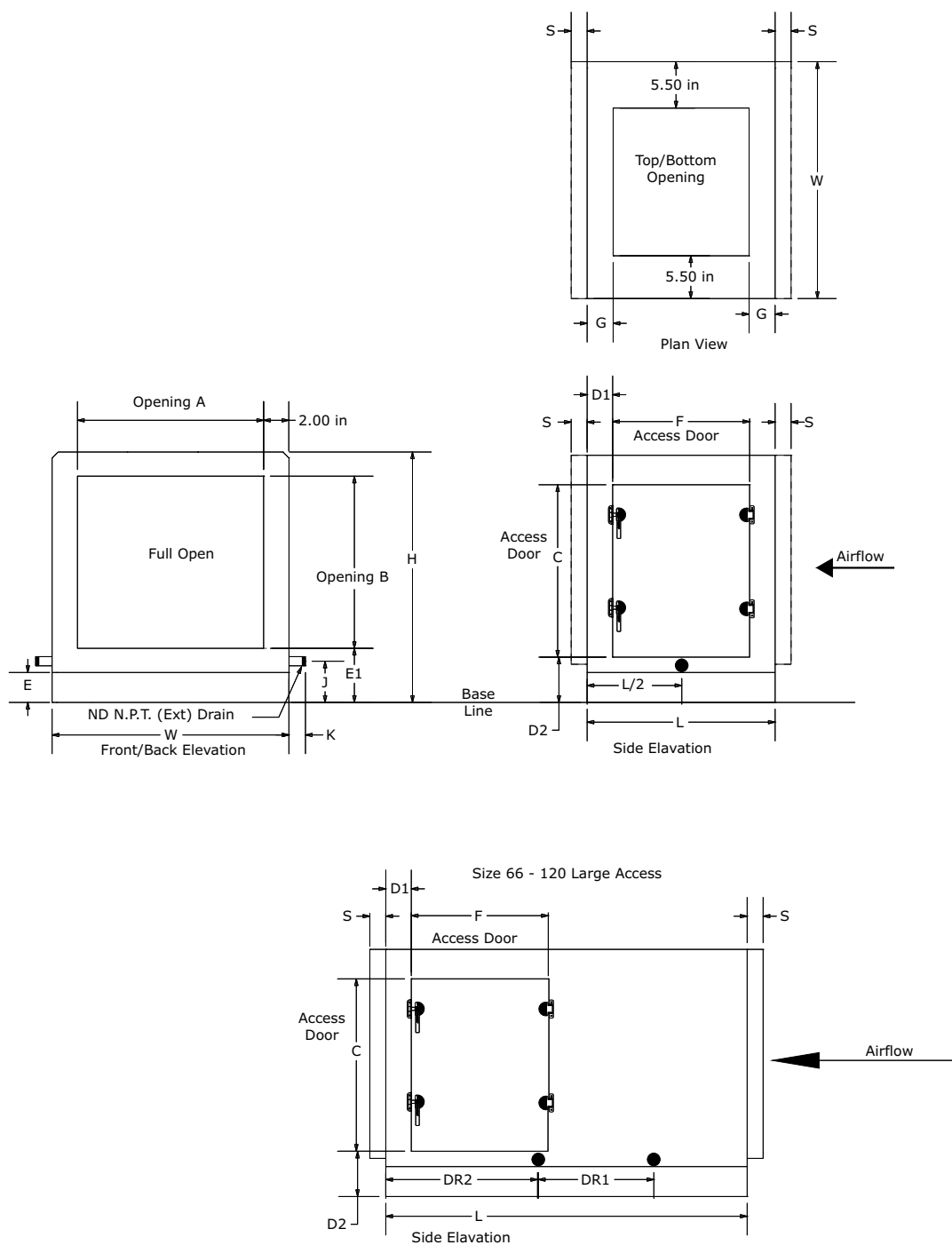


Table 121. Humidifier - direct steam - dimensions (inches)

Unit size	Front/back opening			Base					Pipe diameter									
	W	H	L	A	B	D	E	E1	G	J	K	M	N	SD	SD2	DD	ND	S
3	31.50	29.00	14.00	27.50	22.50	8.27	2.50	4.50	7.90	3.38	2.63	10.04	5.66	2.00	2.00	1.00	1.00	1.00
4	44.00	29.00	14.00	40.00	22.50	8.27	2.50	4.50	7.90	3.38	2.63	10.04	5.66	2.00	2.00	1.00	1.00	1.00
6	44.00	35.25	14.00	40.00	28.75	8.27	2.50	4.50	8.07	3.38	2.63	15.94	5.66	2.00	2.00	1.00	1.00	1.00
8	50.50	37.75	14.00	46.50	31.25	8.27	2.50	4.50	9.32	3.38	2.63	15.94	5.66	2.00	2.00	1.00	1.00	1.00
10	61.50	37.75	14.00	57.50	31.25	8.27	2.50	4.50	9.32	3.38	2.63	15.94	5.66	2.00	2.00	1.00	1.00	1.00
12	66.50	41.50	14.00	62.50	35.00	8.27	2.50	4.50	8.24	3.38	2.63	21.85	5.66	2.00	2.00	1.00	1.00	1.00
14	72.00	41.50	14.00	68.00	35.00	8.27	2.50	4.50	8.24	3.38	2.63	21.85	5.66	2.00	2.00	1.00	1.00	1.00
17	72.00	49.00	14.00	68.00	42.50	8.27	2.50	4.50	9.04	3.38	2.63	27.76	5.66	2.00	2.00	1.00	1.00	1.00
21	80.00	52.75	14.00	76.00	46.25	8.27	2.50	4.50	10.92	3.38	2.63	27.76	5.66	2.00	2.00	1.00	1.00	1.00
22	61.50	67.25	14.00	57.50	60.75	8.27	2.50	4.50	12.26	3.30	2.39	39.57	5.66	2.00	2.00	1.00	1.00	1.00
25	80.00	61.50	14.00	76.00	55.00	8.27	2.50	4.50	12.34	3.38	2.63	33.66	5.66	2.00	2.00	1.00	1.00	1.00
26	61.50	85.50	14.00	57.50	79.00	8.27	2.50	4.50	9.57	3.30	2.39	63.19	5.66	2.00	2.00	1.00	1.00	1.00
30	93.50	61.50	14.00	89.50	55.00	8.27	2.50	4.50	12.34	3.38	2.63	33.66	5.66	2.00	2.00	1.00	1.00	1.00
31	72.00	85.50	14.00	68.00	79.00	8.27	2.50	4.50	9.57	3.30	2.39	63.19	5.66	2.00	2.00	1.00	1.00	1.00
35	100.00	67.25	14.00	96.00	60.75	8.27	2.50	4.50	12.26	3.38	3.63	39.57	5.66	2.00	2.00	1.00	1.25	1.00
36	80.00	89.00	14.00	76.00	82.50	8.27	2.50	4.50	11.32	3.30	2.39	63.19	5.66	2.00	2.00	1.00	1.25	1.00
40	112.50	67.25	14.00	108.50	60.75	8.27	2.50	4.50	12.26	3.38	3.63	39.57	5.66	2.00	2.00	1.00	1.25	1.00
41	80.00	104.00	14.00	76.00	97.50	8.27	2.50	4.50	15.87	3.30	2.39	69.10	5.66	2.00	2.00	1.00	1.25	1.00
50	125.50	75.75	14.00	121.50	69.25	8.27	2.50	4.50	10.60	3.38	3.63	51.38	5.66	2.00	2.00	1.00	1.25	1.00
51	93.50	104.00	14.00	89.50	97.50	8.27	2.50	4.50	15.87	3.30	2.39	69.098	5.66	2.00	2.00	1.00	1.25	1.00
57	125.50	85.50	14.00	121.50	79.00	8.27	2.50	4.50	9.57	3.38	3.63	63.19	5.66	2.00	2.00	1.00	1.25	1.00
58	93.50	116.25	14.00	89.50	109.75	8.27	2.50	4.50	22.00	3.30	2.39	69.098	5.66	2.00	2.00	1.00	1.25	1.00
66	140.50	92.50	15.00	136.50	82.50	8.77	6.00	8.00	14.82	6.13	3.63	63.19	5.66	2.00	2.00	1.00	1.50	1.00
80	140.50	107.50	15.00	136.50	97.50	8.77	6.00	8.00	19.37	6.13	3.63	69.10	5.66	2.00	2.00	1.00	1.50	1.00
100	154.50	119.75	15.00	150.50	109.75	8.77	6.00	8.00	25.50	6.13	3.63	69.10	5.66	2.00	2.00	1.00	1.50	1.00
120	182.00	119.75	15.00	178.00	109.75	8.77	6.00	8.00	25.50	6.13	3.63	69.10	5.66	2.00	2.00	1.00	1.50	1.00

Intake Section

Figure 86. Intake section





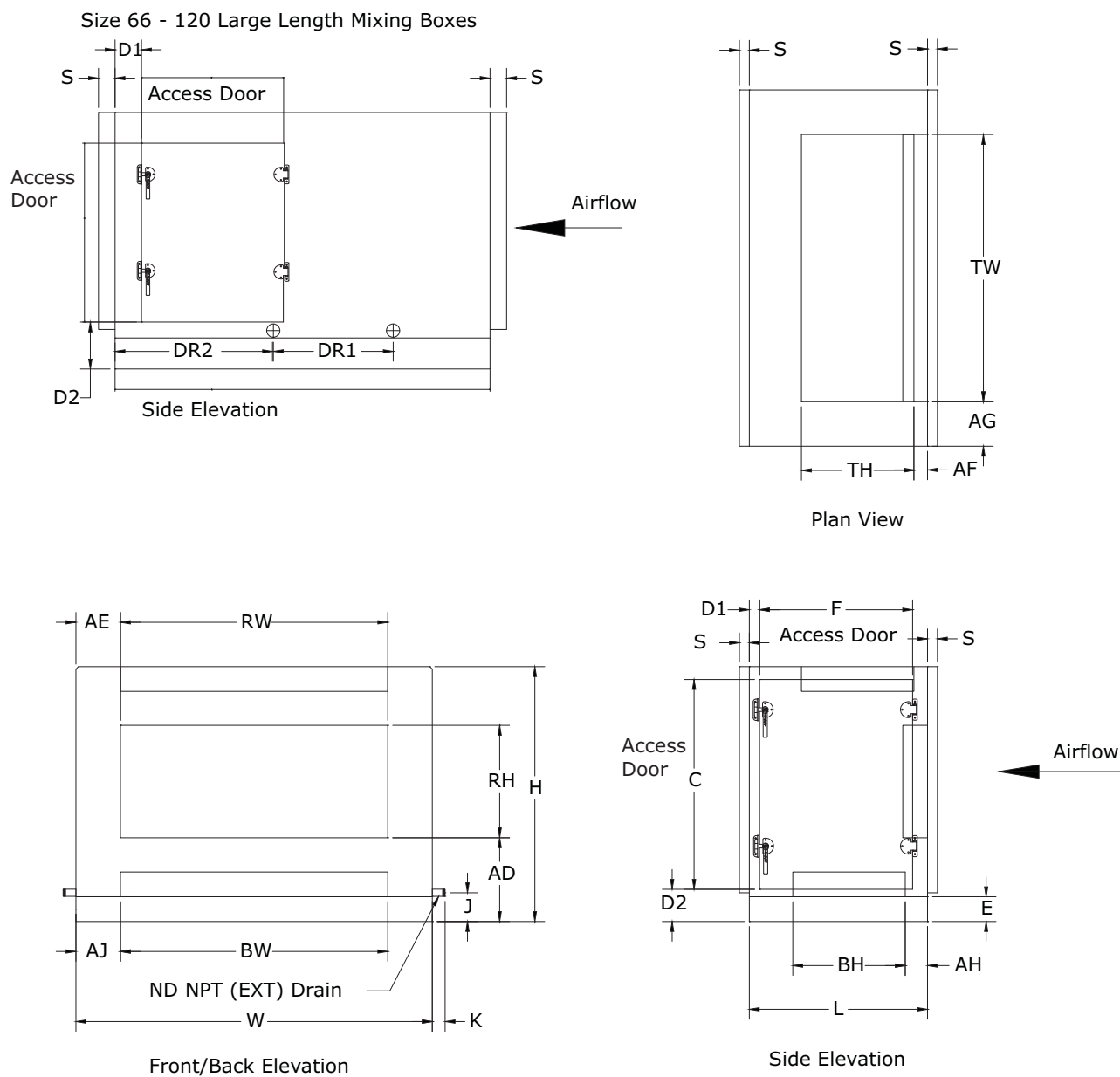
Dimensions

Table 122. Intake section dimensions (inches)

Unit Size	W	H	L	Front/Back Opening					Base		Drain Pan		Shipping Split	
				A	B	BW	BT	BB	E	E1	J	K	NPT	S
3	31.50	29.00	10.00	20.50	20.25	5.50	3.13	5.63	2.50	4.50	3.38	2.63	1.00	1.00
4	44.00	29.00	10.00	33.00	20.25	5.50	3.13	5.63	2.50	4.50	3.38	2.63	1.00	1.00
6	44.00	35.25	10.00	33.00	26.50	5.50	3.13	5.63	2.50	4.50	3.38	2.63	1.00	1.00
8	50.50	37.75	10.00	39.50	29.00	5.50	3.13	5.63	2.50	4.50	3.38	2.63	1.00	1.00
10	61.50	37.75	10.00	50.50	29.00	5.50	3.13	5.63	2.50	4.50	3.38	2.63	1.00	1.00
12	66.50	41.50	10.00	55.50	32.75	5.50	3.13	5.63	2.50	4.50	3.38	2.63	1.00	1.00
14	72.00	41.50	10.00	61.00	32.75	5.50	3.13	5.63	2.50	4.50	3.38	2.63	1.00	1.00
17	72.00	49.00	10.00	61.00	40.25	5.50	3.13	5.63	2.50	4.50	3.38	2.63	1.00	1.00
21	80.00	52.75	10.00	69.00	44.00	5.50	3.13	5.63	2.50	4.50	3.38	2.63	1.00	1.00
25	80.00	61.50	10.00	69.00	52.75	5.50	3.13	5.63	2.50	4.50	3.38	2.63	1.00	1.00
30	93.50	61.50	10.00	82.50	52.75	5.50	3.13	5.63	2.50	4.50	3.38	2.63	1.00	1.00
35	100.00	67.25	10.00	80.00	49.75	10.00	7.50	10.00	2.50	4.50	3.75	3.63	1.25	1.00
40	112.50	67.25	10.00	92.50	49.75	10.00	7.50	10.00	2.50	4.50	3.75	3.63	1.25	1.00
50	125.50	75.75	10.00	105.50	58.25	10.00	7.50	10.00	2.50	4.50	3.75	3.63	1.25	1.00
57	125.50	85.50	10.00	105.50	68.00	10.00	7.50	10.00	2.50	4.50	3.75	3.63	1.25	1.00
66	140.50	92.50	10.00	120.50	71.50	10.00	7.50	13.50	6.00	8.00	n/a	n/a	1.50	1.00
80	140.50	107.50	10.00	120.50	86.50	10.00	7.50	13.50	6.00	8.00	n/a	n/a	1.50	1.00
100	154.50	119.75	10.00	134.50	98.75	10.00	7.50	13.50	6.00	8.00	n/a	n/a	1.50	1.00
120	182.00	119.75	10.00	162.00	98.75	10.00	7.50	13.50	6.00	8.00	n/a	n/a	1.50	1.00

Mixing Box

Figure 87. Mixing box





Dimensions

Table 123. Mixing box door dimensions (inches)

Unit Size	W	L	H	J	ND	Door without filters			Door with filters			D2	E
						C	F	D1	C	F	D1		
3	31.50	34.00	29.00	3.38	1.00	22.25	18.75	7.63	22.25	29.00	2.13	4.25	2.50
4	44.00	34.00	29.00	3.38	1.00	22.25	18.75	7.63	22.25	29.00	2.13	4.25	2.50
6	44.00	34.00	35.25	3.38	1.00	28.50	18.75	7.63	28.50	29.00	2.13	4.25	2.50
8	50.50	36.00	37.75	3.38	1.00	31.00	18.75	8.63	31.00	31.00	2.13	4.25	2.50
10	61.50	36.00	37.75	3.38	1.00	31.00	18.75	8.63	31.00	31.00	2.13	4.25	2.50
12	66.50	36.00	41.50	3.38	1.00	34.75	18.75	8.63	34.75	31.00	2.13	4.25	2.50
14	72.00	36.00	41.50	3.38	1.00	34.75	18.75	8.63	34.75	31.00	2.13	4.25	2.50
17	72.00	36.00	49.00	3.38	1.00	42.25	20.38	7.88	42.25	31.00	2.13	4.25	2.50
21	80.00	34.00	52.75	3.38	1.00	46.00	18.75	7.63	46.00	29.00	2.13	4.25	2.50
22 No Front-Back damper only	61.50	40.25	67.25	3.38	1.00	46.00	18.75	10.88	60.50	20.38	2.13	4.25	2.50
22 Front-Back damper only	61.50	34.00	67.25	3.38	1.00	46.00	18.75	2.13	60.50	20.38	2.13	4.25	2.50
25	80.00	46.00	61.50	3.38	1.00	54.75	20.38	12.88	54.75	31.00	2.13	4.25	2.50
26 No Front-Back damper only	61.50	51.50	85.50	3.38	1.00	54.75	20.38	15.63	78.75	23.38	2.13	4.25	2.500
26 Front-Back damper only	61.50	46.00	85.50	3.38	1.00	54.75	20.38	12.88	78.75	23.38	2.13	4.25	2.50
30	93.50	46.00	61.50	3.38	1.00	54.75	20.38	12.88	54.75	31.00	2.13	4.25	2.50
31	72.00	46.00	85.50	3.38	1.00	54.75	20.38	12.88	78.75	23.38	2.13	4.25	2.50
35	100.00	48.00	67.25	3.25	1.25	60.50	20.38	13.88	60.50	20.38	2.13	4.13	2.50
36	80.00	40.25	89.00	3.38	1.00	60.50	20.38	10.00	82.25	23.38	2.13	4.25	2.50
40	112.50	48.00	67.25	3.25	1.25	60.50	20.38	13.88	60.50	20.38	2.13	4.13	2.50
41	80.00	46.25	104.00	3.38	1.00	60.50	20.38	13.00	97.25	23.38	2.13	4.25	2.50
50	125.50	48.00	75.75	3.25	1.25	69.00	20.38	13.88	69.00	23.38	2.13	4.13	2.50
51	93.50	51.75	104.00	3.38	1.00	69.00	20.38	15.75	97.25	23.38	2.13	4.25	2.500
57	125.50	48.00	85.50	3.25	1.25	60.50	20.38	13.88	78.75	23.38	2.13	4.13	2.50
58 No Front-Back damper only	93.50	57.25	116.25	3.38	1.00	60.50	20.38	18.50	109.50	23.38	2.13	4.25	2.50
58 Front-Back damper only	93.50	51.75	116.25	3.38	1.00	60.50	20.38	15.750	109.50	23.38	2.13	4.25	2.50
66	140.50	49.00	92.50	6.13	1.50	60.50	20.38	14.38	82.25	23.38	2.13	7.63	6.00
80	140.50	54.00	107.50	6.13	1.50	60.50	20.38	16.88	97.25	23.38	2.13	7.63	6.00
100	154.50	60.00	119.75	6.13	1.50	60.50	20.38	19.88	109.50	23.38	2.13	7.63	6.00
120	182.00	60.00	119.75	6.13	1.50	60.50	20.38	19.88	109.50	23.38	2.13	7.63	6.00

Table 124. Mixing box without dampers

Unit Size	W	L	H	All Openings Without Dampers											
				TH	TW	BH	BW	RH	RW	AD	AE	AF	AG	AH	AJ
3	31.50	34.00	29.00	14.50	13.75	12.00	11.50	14.50	13.75	9.50	8.88	3.75	8.88	4.38	10.00
4	44.00	34.00	29.00	14.50	19.75	12.00	17.50	14.50	19.75	9.50	12.13	3.75	12.13	4.38	13.25
6	44.00	34.00	35.25	14.50	25.75	12.00	23.50	14.50	25.75	11.75	9.13	3.75	9.13	4.38	10.25
8	50.50	36.00	37.75	14.50	34.75	12.00	32.50	14.50	34.75	13.00	7.88	3.75	7.88	4.38	9.00
10	61.50	36.00	37.75	14.50	43.25	12.00	41.00	14.50	43.25	13.00	9.13	3.75	9.13	4.38	10.25
12	66.50	36.00	41.50	14.50	53.00	12.00	50.75	14.50	53.00	14.88	6.75	3.75	6.75	4.38	7.88
14	72.00	36.00	41.50	20.25	41.75	17.75	39.50	20.25	41.75	12.00	15.13	3.75	15.13	4.38	16.25
17	72.00	36.00	49.00	20.25	51.50	17.75	49.25	20.25	51.50	15.75	10.25	3.75	10.25	4.38	11.38
21	80.00	34.00	52.75	20.25	63.50	17.75	61.25	20.25	63.50	17.63	8.25	3.75	8.25	4.38	9.38
22 No Front-Back damper only	61.50	40.25	67.25	26.00	41.50			26.00	41.50	21.75	10.00	5.13	10.00		
22 Front-Back damper only	61.50	34.00	67.25					26.00	41.50	21.75	10.00				
25	80.00	46.00	61.50	26.00	59.00	23.50	56.75	26.00	59.00	19.13	10.50	3.75	10.50	4.38	11.63
26 No Front-Back damper only	61.50	51.50	85.50	37.50	41.50			37.50	41.50	25.13	10.00	5.13	10.00		
26 Front-Back damper only	61.50	46.00	85.50					37.50	41.50	25.13	10.00				
30	93.50	46.00	61.50	26.00	68.50	23.50	66.25	26.00	68.50	19.13	12.50	3.75	12.50	4.38	13.63
31	72.00	46.00	85.50												
35	100.00	48.00	67.25	31.75	66.50	28.00	60.00	31.75	66.50	18.88	16.75	7.75	16.75	5.75	20.00
36	80.00	40.25	89.00												
40	112.50	48.00	67.25	26.00	92.50	28.00	69.00	26.00	92.50	21.75	10.00	7.75	10.00	5.75	21.75
41	80.00	46.25	104.00												
50	125.50	48.00	75.75	26.00	105.50	30.00	80.00	26.00	105.50	26.00	10.00	7.75	10.00	5.75	22.75
51	93.50	51.75	104.00												
57	125.50	48.00	85.50	31.75	105.50	32.00	85.00	31.75	105.50	28.00	10.00	7.75	10.00	5.75	20.25
58 No Front-Back damper only	93.50	57.25	116.25												
58 Front-Back damper only	93.50	51.75	116.25												
66	140.50	49.00	92.50	31.75	120.50	33.00	89.00	31.75	120.50	33.25	10.00	7.75	10.00	6.88	25.75
80	140.50	54.00	107.50	37.50	120.50	38.00	89.00	37.50	120.50	37.88	10.00	7.75	10.00	6.88	25.75
100	154.50	60.00	119.75	43.25	134.50	42.00	103.00	43.25	134.50	41.13	10.00	7.75	10.00	6.88	25.75
120	182.00	60.00	119.75	43.25	161.75	42.00	122.00	43.25	161.75	41.13	10.13	7.75	10.13	6.88	30.00



Dimensions

Table 125. Mixing box with airfoil damper dimensions (inches)

Unit Size	W	L	H	Front/Back/Top/Bottom Opening With Airfoil Dampers												
				TH	TW	BH	BW	RH	RW	AD	AE	AF	AG	AH	AJ	
3	31.50	34.00	29.00	17.00	16.25	12.00	11.50	17.00	16.25	8.25	7.63	2.50	7.63	4.38	10.00	
4	44.00	34.00	29.00	17.00	22.25	12.00	17.50	17.00	22.25	8.25	10.88	2.50	10.88	4.38	13.25	
6	44.00	34.00	35.25	17.00	28.25	12.00	23.50	17.00	28.25	10.50	7.88	2.50	7.88	4.38	10.25	
8	50.50	36.00	37.75	17.00	37.25	12.00	32.50	17.00	37.25	11.75	6.63	2.50	6.63	4.38	9.00	
10	61.50	36.00	37.75	17.00	45.75	12.00	41.00	17.00	45.75	11.75	7.88	2.50	7.88	4.38	10.25	
12	66.50	36.00	41.50	17.00	55.50	12.00	50.75	17.00	55.50	13.63	5.50	2.50	5.50	4.38	7.88	
14	72.00	36.00	41.50	22.75	44.25	17.75	39.50	22.75	44.25	10.75	13.88	2.50	13.88	4.38	16.25	
17	72.00	36.00	49.00	22.75	54.00	17.75	49.25	22.75	54.00	14.50	9.00	2.50	9.00	4.38	11.38	
21	80.00	34.00	52.75	22.75	66.00	17.75	61.25	22.75	66.00	16.38	7.00	2.50	7.00	4.38	9.38	
22 No Front-Back damper only	61.500	40.25	67.250	28.50	44.00			28.50	44.00	20.50	8.75	3.88	8.750			
22 Front-Back damper only	61.500	34.00	67.250					28.50	44.00	20.50	8.750					
25	80.00	46.00	61.50	28.50	61.50	23.50	56.75	28.50	61.50	17.88	9.25	2.50	9.25	4.38	11.63	
26 No Front-Back damper only	61.500	51.50	85.50	40.00	44.00			40.00	44.00	23.88	8.75	3.88	8.750			
26 Front-Back damper only	61.50	46.00	85.50					40.00	44.00	23.88	8.75					
30	93.50	46.00	61.50	28.50	71.00	23.50	66.25	28.50	71.00	17.88	11.25	2.50	11.25	4.38	13.63	
31	72.00	46.00	85.50	34.25	54.00			34.25	54.00	26.75	9.00	3.88	9.00			
35	100.00	48.00	67.25	34.25	69.00	31.75	66.50	34.25	69.00	17.63	15.50	6.50	15.50	8.25	16.75	
36	80.00	40.25	89.00	28.50	59.50			28.50	59.50	31.38	10.25	3.88	10.25			
40	112.50	48.00	67.25	28.50	95.00	26.00	92.50	28.50	95.00	20.50	8.75	6.50	8.75	8.25	10.00	
41	80.00	46.25	104.00	34.250	59.75			34.25	59.75	36.00	10.13	3.88	10.13			
50	125.50	48.00	75.75	28.50	108.00	26.00	105.50	28.50	108.00	24.75	8.75	6.50	8.75	8.25	10.00	
51	93.50	51.75	104.00	40.00	71.00			40.00	71.00	33.13	11.25	3.88	11.25			
57	125.50	48.00	85.50	34.25	108.00	31.75	105.50	34.25	108.00	26.75	8.75	6.50	8.75	8.25	10.00	
58 No Front-Back damper only	93.50	57.25	116.25	45.75	68.50			45.75	68.50	36.38	12.50	3.88	12.50			
58 Front-Back damper only	93.50	51.75	116.25					45.75	68.50	36.38	12.50					
66	140.50	49.00	92.50	34.25	123.00	31.75	120.50	34.25	123.00	32.00	8.75	6.50	8.75	8.25	10.00	
80	140.50	54.00	107.50	40.00	123.00	37.50	120.50	40.00	123.00	36.63	8.75	6.50	8.75	8.25	10.00	
100	154.50	60.00	119.75	45.75	137.00	43.25	134.50	45.75	137.00	39.88	8.75	6.50	8.75	8.25	10.00	
120	182.00	60.00	119.75	45.75	164.25	43.25	161.75	45.75	164.25	39.88	8.88	6.50	8.88	8.25	10.13	

Table 126. Mixing box with Traq damper dimensions (inches)

Unit Size	W	L	H	Front/Back/Top Traq							
				TH	TW	RH	RW	AD	AE	AF	AG
3	31.50	34.00	29.00	16.13	16.13	16.13	16.13	5.50	9.75	8.63	9.75
4 top std/back low-flow	44.00	41.00	29.00	17.13	32.88	17.63	33.63	5.50	8.00	10.50	5.63
4 top std/back std	44.00	34.00	29.00	17.13	32.88	16.13	33.50	4.75	7.13	10.50	5.63
4 top low-flow/back std	44.00	34.00	29.00	18.88	32.63	16.13	33.50	4.75	7.13	7.00	5.88
6 top std/back low-flow	44.00	34.00	35.25	17.13	32.88	18.13	32.88	8.50	8.50	10.50	5.63
6 top low-flow/back std	44.00	34.00	35.25	19.38	31.88	16.13	33.88	5.00	6.25	6.50	5.88
6 top std/back std	44.00	34.00	35.25	17.13	32.88	16.13	33.88	5.00	6.25	10.50	5.63
8	50.50	44.00	37.75	27.38	39.38	28.63	37.13	4.88	6.50	10.50	5.63
10	61.50	36.00	37.75	16.13	52.13	16.13	54.13	9.00	4.50	12.50	4.88
12	66.50	42.50	41.50	27.88	58.75	20.63	59.88	7.88	3.75	7.63	3.63
14	72.00	36.00	41.50	21.75	61.38	19.75	62.75	5.25	7.13	6.13	5.38
17	72.00	36.00	49.00	21.75	61.38	19.75	62.75	12.75	5.13	6.25	5.38
21 top low-flow/back std	80.00	50.25	52.75	37.75	70.50	24.75	75.25	11.00	2.50	4.88	4.88
21 top std/black low-flow	80.00	50.25	52.75	37.75	70.50	24.75	75.25	11.00	2.50	4.88	4.88
21 top std/back std	80.00	50.25	52.75	37.75	70.50	24.75	75.25	11.00	2.50	4.88	4.88
22	61.50	51.50	67.25	42.13	40.88	42.25	42.88	12.63	9.38	2.50	10.38
25 top low-flow/back std	80.00	46.00	61.50	35.25	70.75	24.75	76.25	19.75	2.00	4.63	4.63
25 top std	80.00	56.50	61.50	37.75	70.50	24.75	76.25	19.75	2.00	5.88	4.88
26	61.50	51.50	85.50	42.13	40.88	42.25	42.88	23.13	9.38	2.50	10.39
30	93.50	56.50	61.50	42.75	84.75	36.75	88.75	12.75	2.75	8.25	4.13
31	72.00	63.75	85.50	52.13	54.38	58.75	52.75	11.50	9.63	4.75	8.88
35	100.00	48.00	67.25	29.75	92.25	29.75	92.25	19.75	4.00	8.00	4.00
36	80.00	63.75	89.00	52.88	70.50	62.75	61.88	11.75	9.13	4.13	4.75
40	112.50	48.00	67.25	29.75	100.25	29.75	100.25	19.75	6.25	9.75	6.25
41	80.00	63.75	104.00	52.88	70.50	62.75	61.88	20.75	9.13	4.13	4.75
50	125.50	48.00	75.75	34.50	110.00	34.50	108.00	22.25	8.75	7.75	7.75
51	93.50	70.00	104.00	60.00	84.00	72.50	74.00	15.25	9.75	3.25	4.75
57	125.50	48.00	85.50	34.50	110.00	34.50	108.00	27.25	8.75	7.75	7.75
58	93.50	70.00	116.25	60.00	84.00	72.50	74.00	22.25	9.75	3.25	4.75
66	140.50	84.00	92.50	72.50	117.00	70.50	123.00	15.25	8.75	3.75	11.75
80	140.50	92.00	107.50	74.50	119.00	75.50	123.00	17.75	8.75	9.75	10.75
100	154.50	96.00	119.75	77.50	127.00	79.50	127.00	20.75	13.75	8.75	13.75
120	182.00	96.00	119.75	77.50	130.50	79.50	130.50	20.75	14.00	8.75	16.00



Dimensions

Table 127. Mixing box with Traq damper dimensions (inches)

Unit size	Ext W	Ext L	Ext H	Top/Back Traq only							
				TH	TW	RH	RW	AF	AG	AD	AE
3 Top only	31.50	34.00	29.00	16.13	16.13			8.63	9.75		
3 Back only	31.50	34.00	29.00			16.13	16.13			5.50	9.75
4 Top Std only	44.00	34.00	29.00	17.13	32.88			10.50	5.63		
4 Top Low-flow only	44.00	34.00	29.00	19.38	31.88			6.50	5.88		
4 Back Std only	44.00	34.00	29.00			16.13	34.00			4.75	7.13
4 Back Low-flow only	44.00	34.00	29.00			19.63	32.13			6.00	9.50
6 Top Std only	44.00	34.00	35.25	17.13	32.88			10.50	5.63		
6 Top Low-flow only	44.00	34.00	35.25	19.38	31.88			6.50	5.88		
6 Back Std only	44.00	34.00	35.25			16.13	33.88			5.00	6.25
6 Back Low-flow only	44.00	34.00	35.25			16.13	35.13			8.50	6.00
8 Top Std only	50.50	44.00	37.75	27.38	39.38			10.50	5.63		
8 Top Low-flow only	50.50	44.00	37.75	27.38	39.38			10.50	5.63		
8 Back Std only	50.50	36.00	37.75			28.63	37.13			4.88	6.50
8 Back Low-flow only	50.50	36.00	37.75			28.63	37.13			4.88	6.50
10 Top Std only	61.50	36.00	37.75	16.13	52.13			12.50	4.88		
10 Top Low-flow only	61.50	36.00	37.75	16.13	52.13			12.50	4.88		
10 Back Std only	61.50	36.00	37.75			16.13	54.13			9.00	4.50
10 Back Low-flow only	61.50	36.00	37.75			16.13	54.13			9.00	4.50
12 Top Std only	6.50	42.50	41.50	27.88	58.75			7.63	3.63		
12 Top Low-flow only	666.50	42.50	41.50	27.88	58.75			7.63	3.63		
12 Back Std only	66.50	36.00	41.50			22.25	59.13			17.25	4.50
12 Back Low-flow only	66.50	36.00	41.50			22.25	59.13			17.25	4.50
14 Top Std only	72.00	36.00	41.50	21.75	61.38			6.13	5.38		
14 Top Low-flow only	72.00	36.00	41.50	21.75	61.38			6.13	5.38		
14 Back Std only	72.00	36.00	41.50			19.75	62.75			17.75	7.13
14 Back Low-flow only	72.00	36.00	41.50			19.75	62.75			17.75	7.13
17 Top Std only	72.00	36.00	49.00	21.75	61.38			6.13	5.38		
17 Top Low-flow only	72.00	36.00	49.00	21.75	61.38			6.13	5.38		
17 Back Std only	72.00	36.00	49.00			19.75	62.75			17.75	5.13
17 Back Low-flow only	72.00	36.00	49.00			19.75	62.75			17.75	5.13
21 Top Std only	80.00	50.25	52.75	37.75	70.50			4.88	4.88		
21 Top Low-flow only	80.00	50.25	52.75	37.75	70.50			4.88	4.88		
21 Back Std only	80.00	34.00	52.75			24.75	75.25			17.13	2.50
21 Back Low-flow only	80.00	34.00	52.75			24.75	75.25			17.13	2.50
22 Top Traq only	61.500	51.500	67.250	42.13	40.88			2.50	10.38		
22 Back Traq only	61.500	34.000	67.250			42.25	42.88			12.63	9.38
25 Top Std only	80.00	56.50	61.50	37.75	70.50			5.88	4.88		
25 Top Low-flow only	80.00	46.00	61.50	35.75	70.75			4.63	4.63		
25 Back Std only	80.00	46.00	61.50			24.75	75.25			19.75	2.50
25 Back Low-flow only	80.00	46.00	61.50			24.75	75.25			19.75	2.50
26 Top Traq only	61.500	51.500	85.500	42.13	40.88			2.50	10.38		
26 Back Traq only	61.500	46.000	85.500			42.25	42.88			23.13	9.38

Table 127. Mixing box with Traq damper dimensions (inches)

Unit size	Ext W	Ext L	Ext H	Top/Back Traq only							
				TH	TW	RH	RW	AF	AG	AD	AE
30 Top Std only	93.50	56.50	61.50	42.75	84.75			8.25	4.13		
30 Top Low-flow only	93.50	56.50	61.50	42.75	84.75			8.25	4.13		
30 Back Std only	93.50	46.00	61.50			39.75	88.75			14.75	2.75
30 Back Low-flow only	93.50	46.00	61.50			39.75	88.75			14.75	2.75
31 Top Traq only	72.000	63.75	85.50	52.13	54.38			4.75	8.88		
31 Back Traq only	72.000	46.00	85.50			58.75	52.75			11.50	9.63
35 Top only	100.00	48.00	67.25	29.75	92.25			8.00	4.00		
35 Back only	100.00	48.00	67.25			29.75	92.25			19.75	4.00
36 Top Traq only	80.000	63.75	89.00	52.88	70.50			4.13	4.75		
36 Back Traq only	80.000	40.25	89.00			62.75	61.88			11.75	9.13
40 Top only	112.50	48.00	67.25	29.75	100.25			9.75	6.25		
40 Back only	112.50	48.00	67.25			29.75	100.25			19.75	6.25
41 Top Traq only	80.000	63.75	104.00	52.88	70.50			4.13	4.75		
41 Back Traq only	80.000	46.25	104.00			62.75	61.88			20.75	9.13
50 Top only	125.50	48.00	75.75	34.50	110.00			7.75	7.75		
50 Back only	125.50	48.00	75.75			34.50	108.00			22.25	8.75
51 Top Traq only	93.500	70.00	104.00	60.00	84.00			3.25	4.75		
51 Back Traq only	93.500	51.75	104.00			72.50	74.00			15.25	9.75
57 Top only	125.50	48.00	85.50	34.50	110.00			7.75	7.75		
57 Back only	125.50	48.00	85.50			34.50	108.00			27.25	8.75
58 Top Traq only	93.500	70.00	116.25	60.00	84.00			3.25	4.75		
58 Back Traq only	93.500	51.75	116.25			72.50	74.00			22.25	9.75
66 Top only	140.50	84.00	92.50	72.50	117.00			3.75	11.75		
66 Back only	140.50	49.00	92.50			70.50	123.00			15.25	8.75
80 Top only	140.50	92.00	107.50	74.50	119.00			9.75	10.75		
80 Back only	140.50	54.00	107.50			75.50	123.00			17.75	8.75
100 Top only	154.50	96.00	119.75	77.50	127.00			8.75	13.75		
100 Back only	154.50	60.00	119.75			79.50	127.00			20.75	13.75
120 Top only	182.00	96.00	119.75	77.50	130.50			8.75	16.00		
120 Back only	182.00	60.00	119.75			79.50	130.50			20.75	14.00



Dimensions

Table 128. Mixing box with airfoil and Traq damper dimensions (inches)

Unit Size	W	L	H	Top-Bottom Airfoil/Front-Back Traq Dampers											
				TH	TW	BH	BW	RH	RW	AD	AE	AF	AG	AH	AJ
3	31.50	34.00	29.00	17.00	16.25	12.00	11.50	16.13	16.13	5.50	9.75	2.50	7.63	11.38	10.00
4 top airfoil/std	44.00	34.00	29.00	17.00	22.25			16.13	34.00	4.75	7.13	7.50	10.88		
4 bottom airfoil/std	44.00	34.00	29.00			12.00	17.50	16.13	34.63	10.50	5.50			11.38	13.25
4 top airfoil/low-flow	44.00	34.00	29.00	17.00	22.25			17.63	33.63	5.50	8.00	7.50	10.88		
4 bottom airfoil/low-flow	44.00	34.00	29.00			12.00	17.50	17.63	33.63	5.50	8.00			11.38	13.25
6 top airfoil/std	44.00	34.00	35.25	17.00	28.25			16.13	33.88	5.00	6.25	2.50	7.88		
6 top airfoil/low-flow	44.00	34.00	35.25	17.00	28.25			16.13	35.13	8.50	6.00	2.50	7.88		
6 bottom airfoil	44.00	34.00	35.25			12.00	23.50	16.13	35.13	12.50	6.00			9.38	10.25
8 top airfoil	50.50	36.00	37.75	17.00	37.25			28.63	37.13	4.88	6.50	9.50	6.63		
8 bottom airfoil	50.50	36.00	37.75			12.00	32.50	27.13	39.63	8.50	7.00			11.88	9.00
10 top airfoil	61.50	36.00	37.75	17.00	45.75			16.13	54.13	9.00	4.50	2.50	7.88		
10 bottom airfoil	61.50	36.00	37.75			12.00	41.00	16.13	54.13	18.50	4.50			4.38	10.25
12 top airfoil	66.50	36.00	41.50	17.00	55.50			23.75	58.63	4.75	5.00	2.50	5.50		
12 bottom airfoil	66.50	36.00	41.50			12.00	50.75	22.25	59.13	17.25	4.50			4.38	7.88
14 top airfoil	72.00	36.00	41.50	22.75	44.25			19.75	62.75	5.25	7.13	2.50	13.88		
14 bottom airfoil	72.00	36.00	41.50			17.75	39.50	19.75	62.75	17.75	7.13			4.38	16.25
17 top airfoil	72.00	36.00	49.00	22.75	54.00			19.75	62.75	12.75	5.13	2.50	9.00		
17 bottom airfoil	72.00	36.00	49.00			17.75	49.25	19.75	62.75	17.75	5.13			4.38	11.38
21 top airfoil	80.00	34.00	52.75	22.75	66.00			24.75	76.25	11.00	2.00	2.50	7.00		
21 bottom airfoil	80.00	34.00	52.75			17.75	61.25	24.75	76.25	17.13	2.00			4.38	9.38
22	61.500	40.250	67.250	28.500	44.00			42.25	42.88	12.63	9.38	3.88	8.75		
25	80.00	46.00	61.50	28.50	61.50	23.50	56.75	24.75	76.25	19.75	2.00	2.50	9.25	4.38	11.63
26	61.50	51.50	85.50	40.00	44.00			42.25	42.88	23.13	9.38	3.88	8.75		
30 top airfoil	93.50	46.00	61.50	28.50	71.00			36.75	88.75	12.75	2.75	2.50	11.25		
30 bottom airfoil	93.50	46.00	61.50			23.50	66.25	39.75	88.75	14.75	2.75			4.38	13.63
31	72.000	46.000	85.50	34.25	54.00			58.750	52.75	11.500	9.625	3.88	9.00		
35 top airfoil/back Traq	100	48.00	67.25	34.25	69.00			29.75	92.25	19.75	4.00	6.50	15.50		
35 bottom airfoil/back Traq	100	48.00	67.25			31.75	66.50	29.75	92.25	19.75	4.00			8.25	16.75
36	80.000	40.250	89.000	28.50	59.50			62.750	61.88	11.75	9.125	3.88	10.25		
40 top airfoil/back Traq	112.5	48.00	67.25	28.50	95.00			29.75	100.25	19.75	6.25	6.50	8.75		
40 bottom airfoil/back Traq	112.5	48.00	67.25			26.00	92.50	29.75	100.25	19.75	6.25			8.25	10.00
41	80.000	46.250	104.000	34.25	59.75			62.750	61.88	20.75	9.125	3.88	10.13		
50 top airfoil/back Traq	125.5	48.00	75.75	28.50	108.00			34.50	108.00	22.25	8.75	6.50	8.75		
50 bottom airfoil/back Traq	125.5	48.00	75.75			26.00	105.50	34.50	108.00	22.25	8.75			8.25	10.00
51	93.50	51.75	104.00	40.00	71.00			72.500	74.00	15.250	9.750	3.88	11.25		
57 top airfoil/back Traq	125.50	48.00	85.50	34.25	108.00			34.50	108.00	27.25	8.75	6.50	8.75		
57 bottom airfoil/back Traq	125.50	48.00	85.50			31.75	105.50	34.50	108.00	27.25	8.75			8.25	10.00
58	93.50	57.25	116.25	45.75	68.50			72.50	74.00	22.25	9.75	3.88	12.50		

Table 128. Mixing box with airfoil and Traq damper dimensions (inches)

Unit Size	W	L	H	Top-Bottom Airfoil/Front-Back Traq Dampers											
				TH	TW	BH	BW	RH	RW	AD	AE	AF	AG	AH	AJ
66 top airfoil/back Traq	140.50	49.00	92.50	34.25	123.00			70.50	123.00	15.25	8.75	6.50	8.75		
66 bottom airfoil/back Traq	140.50	49.00	92.50			31.75	120.50	70.50	123.00	15.25	8.75			8.25	10.00
80 top airfoil/back Traq	140.50	54.00	107.50	40.00	123.00			75.50	123.00	17.75	8.75	6.50	8.75		
80 bottom airfoil/back Traq	140.50	54.00	107.50			37.50	120.50	75.50	123.00	17.75	8.75			8.25	10.00
100 top airfoil/back Traq	154.50	60.00	119.75	45.75	137.00			79.50	127.00	20.75	13.75	6.50	8.75		
100 bottom airfoil/back Traq	154.50	60.00	119.75			43.25	134.50	79.50	127.00	20.75	13.75			8.25	10.00
120 top airfoil/back Traq	182.00	60.00	119.75	45.75	164.25			79.50	130.50	20.75	14.00	6.50	8.88		
120 bottom airfoil/back Traq	182.00	60.00	119.75			43.25	161.75	79.50	130.50	20.75	14.00			8.25	10.13

Table 129. Mixing box with Traq and airfoil damper dimensions (inches)

Unit Size	W	L	H	Top Traq/Front-Back-Bottom Airfoil Dampers											
				TH	TW	BH	BW	RH	RW	AD	AE	AF	AG	AH	AJ
3	31.50	34.00	29.00	16.13	16.13	12.00	11.50	17.00	16.25	8.25	7.63	8.63	9.75	4.38	10.00
4 low-flow	44.00	34.00	29.00	19.38	31.88	12.00	17.50	17.00	22.25	8.25	10.88	6.50	5.88	4.38	13.25
4 std	44.00	34.00	29.00	17.13	32.88	12.00	17.50	17.00	22.25	8.25	10.88	10.50	5.63	4.38	13.25
6 low-flow	44.00	34.00	35.25	19.38	31.88	12.00	23.50	17.00	28.25	10.50	7.88	6.50	5.88	4.38	10.25
6 std	44.00	34.00	35.25	17.13	32.88	12.00	23.50	17.00	28.25	10.50	7.88	10.50	5.63	4.38	10.25
8	50.50	44.00 ¹	37.75	27.38	39.38	12.00	32.50	17.00	37.25	11.75	6.63	10.50	5.63	4.38	9.00
10	61.50	36.00	37.75	16.13	52.13	12.00	41.00	17.00	45.75	11.75	7.88	12.50	4.88	4.38	10.25
12	66.50	42.50	41.50	27.88	58.75	12.00	50.75	17.00	55.50	13.63	5.50	7.63	3.63	4.38	7.88
14	72.00	36.00	41.50	21.75	61.38	17.75	39.50	22.75	44.25	10.75	13.88	6.13	5.38	4.38	16.25
17	72.00	36.00	49.00	21.75	61.38	17.75	49.25	22.75	54.00	14.50	9.00	6.13	5.38	4.38	11.38
21	80.00	50.25	52.75	37.75	70.50	17.75	61.25	22.75	66.00	16.38	7.00	4.88	4.88	4.38	9.38
22	61.50	51.50	67.25	42.13	40.88			28.50	44.00	20.50	8.75	2.50	10.38		
25 low-flow	80.00	46.00	61.50	35.25	70.75	23.50	56.75	28.50	61.50	17.88	9.25	4.63	4.63	4.38	11.63
25 std	80.00	56.50	61.50	37.75	70.50	23.50	56.75	28.50	61.50	17.88	9.25	5.88	4.88	4.38	11.63
26	61.50	51.50	85.50	42.13	40.88			40.00	44.00	23.88	8.75	2.50	10.38		
30	93.50	56.50	61.50	42.75	84.75	23.50	66.25	28.50	71.00	17.88	11.25	8.25	4.13	4.38	13.63
31	72.00	63.75	85.50	52.13	54.38			34.25	54.00	26.75	9.00	4.75	8.88		
35	100.00	48.00	67.25	29.75	92.25	31.75	66.50	34.25	69.00	17.63	15.50	8.00	4.00	8.25	16.75
36	80.00	63.75	89.00	52.88	70.50			28.50	59.50	31.38	10.25	4.125	4.75		
40	112.50	48.00	67.25	29.75	100.25	26.00	92.50	28.50	95.00	20.50	8.75	9.75	6.25	8.25	10.00
41	80.00	63.75	104.00	52.88	70.50			34.25	59.75	36.00	10.13	4.125	4.75		
50	125.50	48.00	75.75	34.50	110.00	26.00	105.50	28.50	108.00	24.75	8.75	7.75	7.75	8.25	10.00
51	93.50	70.00	104.00	60.00	84.00			40.00	71.00	33.13	11.25	3.250	4.75		
57	125.50	48.00	85.50	34.50	110.00	31.75	105.50	34.25	108.00	26.75	8.75	7.75	7.75	8.25	10.00
58	93.50	70.00	116.25	60.00	84.00			45.75	68.50	36.38	12.50	3.250	4.75		
66	140.50	84.00	92.50	72.50	117.00	31.75	120.50	34.25	123.00	32.00	8.75	3.75	11.75	8.25	10.00
80	140.50	92.00	107.50	74.50	119.00	37.50	120.50	40.00	123.00	36.63	8.75	9.75	10.75	8.25	10.00
100	154.50	96.00	119.75	77.50	127.00	43.25	134.50	45.75	137.00	39.88	8.75	8.75	13.75	8.25	10.00
120	182.00	96.00	119.75	77.50	130.50	43.25	161.75	45.75	164.25	39.88	8.88	8.75	16.00	8.25	10.13

Dimensions

Mixing Box Openings

Figure 88. Openings for mixing box size 3-30

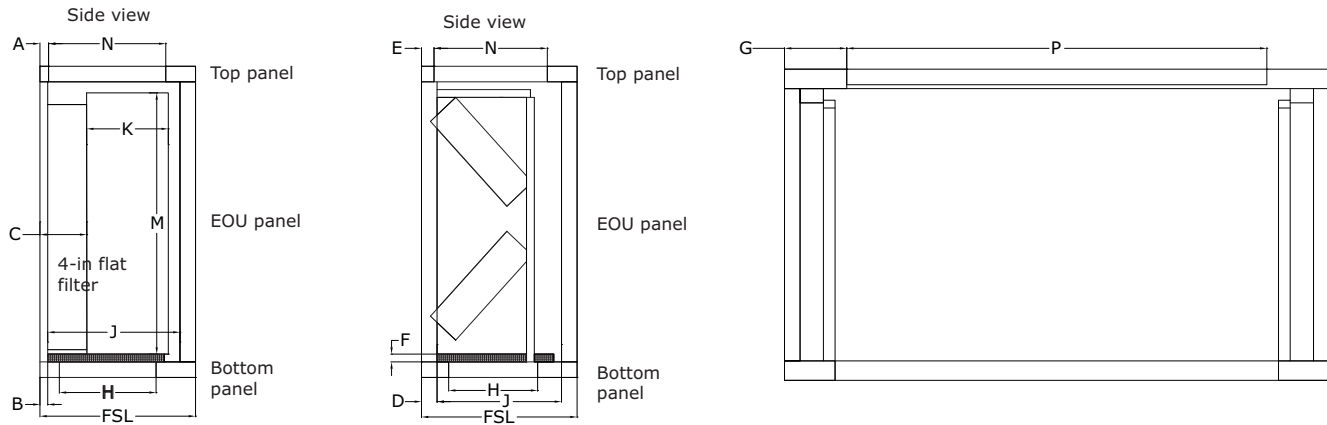


Table 130. Mixing box horizontal discharge round opening dimensions (inches)

Unit size	W	H	L	V	Round Openings					
					Front		Top/Bottom		Side	
					V1	D	V1	D	V4	D
3	31.50	29.00	34.00	4.13	9.25	13.00	9.25	13.00	4.50	13.00
4	44.00	29.00	34.00	4.13	14.00	16.00	14.00	16.00	4.50	16.00
6	44.00	35.25	34.00	4.13	12.00	20.00	12.00	20.00	4.50	20.00
8	50.50	37.75	36.00	4.13	14.25	22.00	14.25	22.00	4.50	22.00
10	61.50	37.75	36.00	4.13	18.75	24.00	18.75	24.00	4.50	24.00
12	66.50	41.50	36.00	4.13	19.25	28.00	20.25	26.00	4.50	28.00
14	72.00	41.50	36.00	4.13	21.00	30.00	23.00	26.00	4.50	28.00
17	72.00	49.00	36.00	4.13	20.00	32.00	23.00	26.00	4.50	28.00
21	80.00	52.75	34.00	4.13	23.00	34.00	28.00	24.00	4.50	26.00
25	80.00	61.50	46.00	4.13	21.00	38.00	22.00	36.00	4.50	38.00
30	93.50	61.50	46.00	4.13	25.75	42.00	28.75	36.00	4.50	38.00

Table 131. Mixing box opening dimensions (inches)

Unit size	Ext W	Ext FSL	Ext H	A	B round/grate	C	D round/grate	E	F	G
3	31.50	34.00	29.00	3.44	3.44	7.63	3.44	3.44	0.75	4.07
4	44.00	34.00	29.00	3.44	3.44	7.63	3.44	3.44	0.75	4.07
4	44.00	41.00	29.00	3.44	3.44	7.63				4.07
6	44.00	34.00	35.25	3.44	3.44	7.63	3.44	3.44	0.75	4.07
8	50.50	36.00	37.75	3.44	3.44	7.63	3.44	3.44	0.75	7.12
8	50.50	44.00	37.75	3.44	3.44	7.63				7.12
10	61.50	36.00	37.75	3.44	3.44	7.63	3.44	3.44	0.75	7.12
12	66.50	36.00	41.50	3.44	3.44	7.63	3.44	3.44	0.75	4.07
12	66.50	42.50	41.50	3.44	3.44	7.63				4.07
14	72.00	36.00	41.50	3.44	3.44	7.63	3.44	3.44	0.75	4.07
17	72.00	36.00	49.00	3.44	3.44	7.63	3.44	3.44	0.75	4.07
21	80.00	34.00	52.75	3.44	3.44	7.63	3.44	3.44	0.75	4.07
21	80.00	50.25	52.75	3.44	3.44	7.63				4.07
25	80.00	46.00	61.50	3.44	3.44	7.63	3.44	3.44	0.75	7.12
25	80.00	56.50	61.50	3.44	3.44	7.63				7.12
30	93.50	46.00	61.50	3.44	3.44	7.63	3.44	3.44	0.75	7.12
30	93.50	56.50	61.50	3.44	3.44	7.63				7.12

Table 132. Mixing box with flat filter opening dimensions (inches)

Unit size	Flat filter bottom panel					Flat filter side panel							Flat filter top	
	H max hole	J max grate	Round opening	OL grate	OW grate	K max hole	M max hole	Max round opening	Default round opening	Max bell mouth opening	Max bell mouth	Default bell mouth	N max hole	P max hole
3	25.75	28.56	13.00	17.41	18.16	22.25	18.88	16.00	13.00	18.00	16.00	13.00	27.43	20.50
4	25.75	28.56	16.00	17.41	18.16	22.25	18.88	16.00	16.00	18.00	16.00	16.00	27.43	33.00
4	32.75	35.56	16.00	17.41	18.16	29.25	18.88	16.00	16.00	18.00	16.00	16.00	34.43	33.00
6	25.75	28.56	20.00	17.41	18.16	22.25	25.13	22.00	20.00	22.00	20.00	20.00	27.43	33.00
8	27.75	30.56	22.00	34.16	26.91	24.25	27.63	24.00	22.00	22.00	20.00	20.00	29.43	39.50
8	35.75	38.56	22.00	34.16	26.91	32.25	27.63	26.00	22.00	26.00	24.00	24.00	37.43	39.50
10	27.75	30.56	24.00	34.16	26.91	24.25	27.63	24.00	24.00	22.00	20.00	20.00	29.43	50.50
12	27.75	30.56	26.00	34.16	26.91	24.25	31.38	24.00	24.00	22.00	20.00	20.00	29.43	55.50
12	34.25	37.06	26.00	34.16	26.91	30.75	31.38	30.00	28.00	30.00	28.00	24.00	35.93	55.50
14	27.75	30.56	26.00	34.16	26.91	24.25	31.38	24.00	24.00	22.00	20.00	20.00	29.43	61.00
17	27.75	30.56	26.00	34.16	26.91	24.25	38.88	24.00	24.00	22.00	20.00	20.00	29.43	61.00
21	25.75	28.56	24.00	34.16	26.91	22.25	42.63	22.00	22.00	22.00	20.00	20.00	27.43	69.00
21	42.00	44.81	24.00	34.16	26.91	38.50	42.63	38.00	26.00	38.00	36.00	24.00	43.68	69.00
25	37.75	40.56	36.00	40.66	28.91	34.25	51.38	34.00	34.00	34.00	32.00	32.00	39.43	69.00
25	48.250	51.06	36.00	40.66	28.91	44.75	51.38	42.00	38.00	44.00	42.00	36.00	49.93	69.00
30	37.75	40.56	36.00	40.66	28.91	34.25	51.38	34.00	34.00	34.00	32.00	32.00	39.43	82.50
30	48.25	51.06	36.00	40.66	28.91	44.75	51.38	42.00	38.00	44.00	42.00	36.00	49.93	82.50

Dimensions

Table 133. Mixing box with angled filter opening dimensions (inches)

Unit size	Angled filter bottom panel			Angled filter top panel				
	H max hole	J max grate	P max hole	N max hole	P max hole	Max bell mouth opening	Max bell mouth	Default bell mouth
3	25.75	28.56	23.25	27.43	20.50	18	16	13
4	25.75	28.56	35.75	27.43	33.00	26	24	16
4	32.75	39.00	35.75	37.88	33.00	n/a	n/a	n/a
6	25.75	28.56	35.75	27.43	33.00	26	24	20
8	27.75	30.56	36.26	29.43	36.26	26	24	20
8	35.75	42.00	36.26	40.88	36.26	n/a	n/a	n/a
10	27.75	30.56	47.26	29.43	47.26	26	24	20
12	27.75	30.56	58.25	29.43	55.50	26	24	20
12	34.25	40.50	58.25	39.38	55.50	n/a	n/a	n/a
14	27.75	30.56	63.75	29.43	61.00	26	24	20
17	27.75	30.56	63.75	29.43	61.00	26	24	20
21	25.75	28.56	71.75	27.43	69.00	26	24	20
21	42.00	48.25	71.75	47.13	69.00	n/a	n/a	n/a
25	37.75	40.56	65.76	39.43	65.76	38	36	28
25	48.25	54.50	65.76	53.38	65.76	n/a	n/a	n/a
30	37.75	40.56	79.26	39.43	79.26	38	36	32
30	48.25	54.50	79.26	53.38	79.26	n/a	n/a	n/a

Figure 89. Openings for mixing box size 35-120

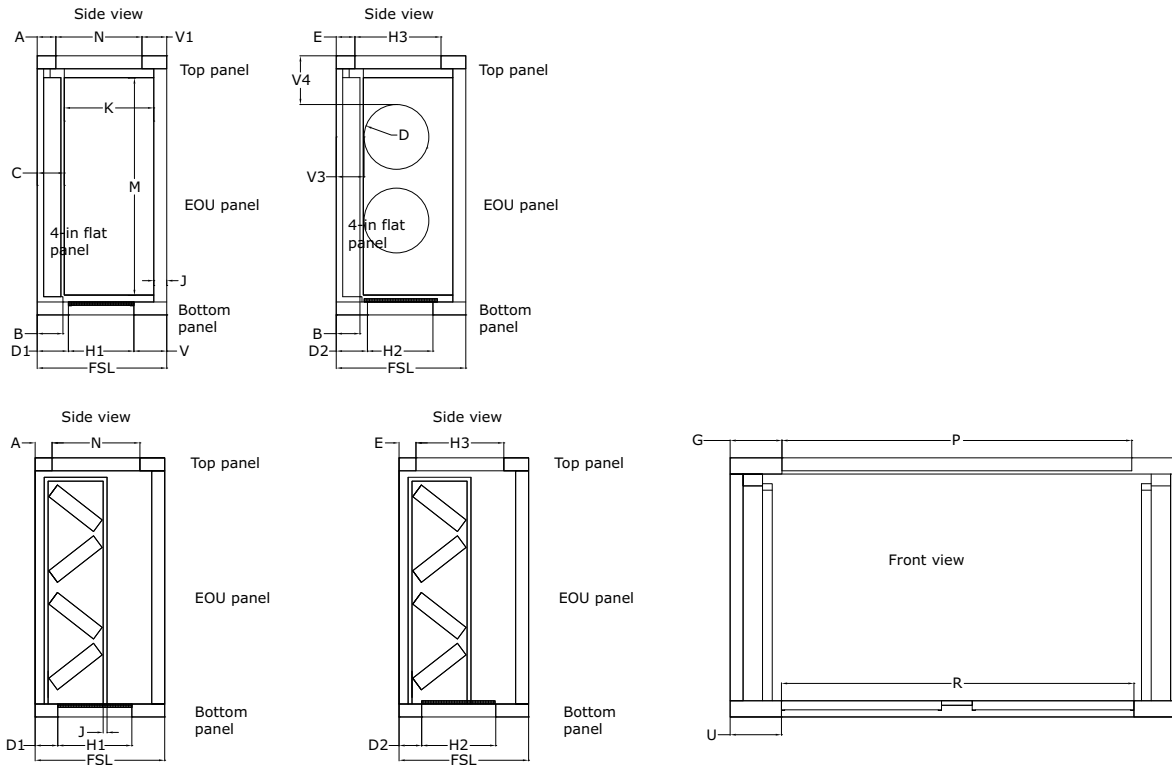


Table 134. Mixing box without filters with round opening dimensions (inches)

Unit size	W	H	L	Round openings															
				Front/Back				Top				Bottom				Side			
				V	V1	D	Qty	V	V1	D	Qty	V	V1	D	Qty	V	V4	D	Qty
35	100.00	67.25	48.00	9.38	27.00	46.00	1	8.00	12.88	32.00	2	8.00	12.88	32.00	2	12.75	7.88	22.50	2
36	80.00	40.25	89.00	14.25	11.00	27.00	4	4.00	6.00	32.00	2	n/a	n/a	n/a	n/a	4.75	7.50	30.50	2
36	80.00	48.00	89.00	14.25	11.00	27.00	4	7.00	6.00	32.00	2	n/a	n/a	n/a	n/a	4.75	7.50	33.75	2
36	80.00	63.75	89.00	14.25	11.00	27.00	4	n/a	n/a	n/a	n/a	n/a	n/a	n/a	n/a	4.75	7.50	33.75	2
40	112.50	67.25	48.00	8.38	32.25	48.00	1	7.00	17.13	34.00	2	7.00	17.13	34.00	2	12.75	7.88	22.50	2
41	80.00	46.25	104.00	21.75	11.00	27.00	4	7.00	6.00	32.00	2	n/a	n/a	n/a	n/a	4.75	12.25	36.50	2
41	80.00	63.75	104.00	21.75	11.00	27.00	4	n/a	n/a	n/a	n/a	n/a	n/a	n/a	n/a	4.75	12.25	36.50	2
50	125.50	75.75	48.00	17.63	19.63	38.00	2	5.75	21.13	36.50	2	5.75	21.13	36.50	2	10.50	7.63	27.00	2
51	93.50	51.75	104.00	14.75	10.75	34.00	4	4.50	7.75	37.00	2	n/a	n/a	n/a	n/a	4.75	12.25	36.50	2
51	93.50	57.25	104.00	14.75	10.75	34.00	4	4.50	7.75	37.00	2	n/a	n/a	n/a	n/a	4.75	12.25	36.50	2
51	93.50	70.00	104.00	14.75	10.75	34.00	4	n/a	n/a	n/a	n/a	n/a	n/a	n/a	n/a	4.75	12.25	36.50	2
57	125.50	85.50	48.00	21.00	16.63	41.00	2	8.00	7.75	32.00	3	8.00	7.75	32.00	3	8.00	7.50	32.00	2
58	93.50	51.75	116.25	20.88	10.75	34.00	4	4.50	7.75	37.00	2	n/a	n/a	n/a	n/a	4.75	18.50	36.50	2
58	93.50	57.25	116.25	20.88	10.75	34.00	4	4.50	7.75	37.00	2	n/a	n/a	n/a	n/a	4.75	18.50	36.50	2
58	93.50	70.00	116.25	20.88	10.75	34.00	4	n/a	n/a	n/a	n/a	n/a	n/a	n/a	n/a	4.75	18.50	36.50	2
66	140.50	92.50	49.00	21.25	21.13	44.00	2	7.50	13.00	34.00	3	7.50	13.00	34.00	3	7.63	7.50	33.75	2
66	140.50	92.50	84.00	21.25	21.13	44.00	2	n/a	n/a	n/a	n/a	44.33	13.00	34.00	3	7.63	7.50	33.75	2
80	140.50	107.50	54.00	26.75	17.13	48.00	2	9.00	10.00	36.00	3	9.00	10.00	36.00	3	4.75	7.50	41.25	2
80	140.50	107.50	92.00	26.75	17.13	48.00	2	n/a	n/a	n/a	n/a	47.08	10.00	36.00	3	4.75	7.50	41.25	2
100	154.50	119.75	60.00	16.81	34.13	38.00	4	9.75	16.00	45.00	2	9.75	16.00	45.00	2	4.75	7.63	47.25	2
100	154.50	119.75	96.00	16.81	34.13	38.00	4	n/a	n/a	n/a	n/a	45.70	10.00	40.50	3	4.75	7.63	47.25	2
120	182.00	119.75	60.00	12.81	43.88	42.00	4	7.50	13.81	45.00	3	7.50	13.81	45.00	3	4.75	7.63	47.25	2
120	182.00	119.75	96.00	12.81	43.88	42.00	4	n/a	n/a	n/a	n/a	44.08	13.81	45.00	3	4.75	7.63	47.25	2

Table 135. Mixing box with 4-inch filters opening dimensions (inches)

Unit size	Ext W	Ext FSL	Ext H	V1	B	V	J	D1	D2	F	G
35	100.00	48.00	67.25	4.50	8.08	5.75	4.75	14.25	9.33	0.75	7.25
36	80.00	40.25	89.00	3.13	8.13		4.75				5.50
36	80.00	48.00	89.00	3.13	8.13		4.75				5.50
36	80.00	63.75	89.00	3.13	8.13		4.75				5.50
40	112.50	48.00	67.25	4.50	8.08	5.75	4.75	14.25	9.33	0.75	7.25
41	80.00	46.25	104.00	3.13	8.13		4.75				5.50
41	80.00	63.75	104.00	3.13	8.13		4.75				5.50
50	125.50	48.00	75.75	4.50	8.08	5.75	4.75	12.25	9.33	0.75	7.25
51	93.50	51.75	104.00	3.13	8.13		4.75				5.50
51	93.50	57.25	104.00	3.13	8.13		4.75				5.50
51	93.50	70.00	104.00	3.13	8.13		4.75				5.50
57	125.50	48.00	85.50	4.50	8.08	5.75	4.75	10.25	9.33	0.75	7.25
58	93.50	51.75	116.25	3.13	8.13		4.75				5.50
58	93.50	57.25	116.25	3.13	8.13		4.75				5.50
58	93.50	70.00	116.25	3.13	8.13		4.75				5.50



Dimensions

Table 135. Mixing box with 4-inch filters opening dimensions (inches)

Unit size	Ext W	Ext FSL	Ext H	V1	B	V	J	D1	D2	F	G
66	140.50	49.00	92.50	7.13	8.08	6.88	4.75	9.13	9.33	0.75	7.25
66	140.50	84.00	92.50	7.13	8.08	6.88	4.75	44.13	44.33	0.75	7.25
80	140.50	54.00	107.50	7.13	8.08	6.88	4.75	9.13	9.08	0.75	9.25
80	140.50	92.00	107.50	7.13	8.08	6.88	4.75	47.13	47.08	0.75	9.25
100	154.50	60.00	119.75	7.13	8.08	6.88	4.75	11.13	8.08	0.75	9.25
100	154.50	96.00	119.75	7.13	8.08	6.88	4.75	47.13	45.70	0.75	9.25
120	182.00	60.00	119.75	7.13	8.08	6.88	4.75	11.13	8.08	0.75	9.25
120	182.00	96.00	119.75	7.13	8.08	6.88	4.75	47.13	44.08	0.75	9.25

Table 136. Mixing box with 4-inch flat filter opening dimensions (inches)

Unit size	4-inch flat filter bottom panel						4-inch flat filter side panel										
	H2 round opening			OL OW grate grate			K max opn		M max opn		V3 V4		D Qty		Max bell mouth opening	Max bell mouth	Default bell mouth
	H1	opening	Qty	R	grate	grate	C										
35	28.00	32.00	2	60.00	34.00	34.25	7.54	35.71	49.75	7.54	7.88	22.50	2	34.00	32.00	20.00	
36							7.63	28.00	71.50	7.625	7.50	27.00	2	26.00	24.00	24.00	
36							7.63	35.75	71.50	7.625	7.50	27.00	2	26.00	24.00	24.00	
36							7.63	51.50	71.50	7.625	7.50	27.00	2	26.00	24.00	24.00	
40	28.00	32.00	2	69.00	34.00	34.25	7.54	35.71	49.75	7.54	7.88	22.50	2	34.00	32.00	20.00	
41							7.63	34.00	86.50	7.625	7.50	32.00	2	34.00	32.00	32.00	
41							7.63	51.50	86.50	7.625	7.50	32.00	2	34.00	32.00	32.00	
50	30.00	32.00	2	80.00	34.00	34.25	7.54	35.71	58.25	7.54	7.63	27.00	2	34.00	32.00	24.00	
51							7.63	39.50	86.50	7.625	7.50	36.50	2	34.00	32.00	32.00	
51							7.63	45.00	86.50	7.625	7.50	36.50	2	34.00	32.00	32.00	
51							7.63	57.75	86.50	7.625	7.50	36.50	2	34.00	32.00	32.00	
57	32.00	32.00	3	85.00	34.00	34.25	7.54	35.71	68.00	7.54	7.50	32.00	2	34.00	32.00	28.00	
58							7.63	39.50	98.75	7.625	7.50	36.50	2	34.00	32.00	32.00	
58							7.63	45.00	98.75	7.625	7.50	36.50	2	34.00	32.00	32.00	
58							7.63	57.75	98.75	7.625	7.50	36.50	2	34.00	32.00	32.00	
66	33.00	32.00	3	89.00	34.00	34.25	7.54	36.71	71.50	7.54	7.50	33.75	2	34.00	32.00	32.00	
66	33.00	32.00	3	89.00	34.00	34.25	7.54	71.71	71.50	7.54	7.50	33.75	2	34.00	32.00	32.00	
80	38.00	34.00	3	89.00	39.00	34.50	7.54	41.71	86.50	7.54	7.50	41.25	2	38.00	36.00	36.00	
80	38.00	34.00	3	89.00	39.00	34.50	7.54	79.71	86.50	7.54	7.50	47.25	2	38.00	36.00	36.00	
100	42.00	45.00	2	103.00	49.75	44.33	7.54	47.71	98.75	7.54	7.63	47.25	2	48.00	46.00	42.00	
100	42.00	40.50	3	103.00	43.25	51.50	7.54	83.71	98.75	7.54	7.63	47.25	2	48.00	46.00	42.00	
120	42.00	45.00	3	122.00	49.75	44.33	7.54	47.71	98.75	7.54	7.63	47.25	2	48.00	46.00	42.00	
120	42.00	45.00	3	122.00	49.75	44.33	7.54	83.71	98.75	7.54	7.63	47.25	2	48.00	46.00	42.00	

Table 137. Mixing box with 4-inch flat filter opening dimensions (inches)

Unit size	4-inch flat filter top						Max bell mouth opening	Max bell mouth	Default bell mouth
	A	N max opn	P max opn	E	H3	Qty			
35	7.58	35.92	85.50	7.58	32.00	2.00	34.00	32.00	32.00
36	7.63	29.63	69.00	7.63	28.00	2.00	26.00	24.00	24.00
36	7.63	37.38	69.00	7.63	28.00	2.00	26.00	24.00	24.00
36	n/a	n/a	n/a	n/a	n/a	n/a	n/a	n/a	n/a
40	7.58	35.92	98.00	7.58	32.00	2.00	34.00	32.00	32.00
41	7.63	35.63	69.00	7.63	32.00	2.00	30.00	28.00	28.00
41	n/a	n/a	n/a	n/a	n/a	n/a	n/a	n/a	n/a
50	7.58	35.92	111.00	7.58	32.00	2.00	34.00	32.00	36.00
51	7.63	41.13	82.50	7.63	37.00	2.00	34.00	32.00	32.00
51	7.63	46.63	82.50	7.63	37.00	2.00	34.00	32.00	32.00
51	n/a	n/a	n/a	n/a	n/a	n/a	n/a	n/a	n/a
57	7.58	35.92	111.00	7.58	32.00	3.00	34.00	32.00	32.00
58	7.63	41.13	82.50	7.63	37.00	2.00	34.00	32.00	32.00
58	7.63	46.63	82.50	7.63	37.00	2.00	34.00	32.00	32.00
58	n/a	n/a	n/a	n/a	n/a	n/a	n/a	n/a	n/a
66	7.58	34.29	126.00	7.58	32.00	3.00	34.00	32.00	32.00
66	n/a	n/a	n/a	n/a	n/a	n/a	n/a	n/a	n/a
80	7.58	39.29	122.00	7.58	34.00	3.00	38.00	36.00	36.00
80	n/a	n/a	n/a	n/a	n/a	n/a	n/a	n/a	n/a
100	7.58	45.29	136.00	7.58	45.00	2.00	44.00	42.00	36.00
100	n/a	n/a	n/a	n/a	n/a	n/a	n/a	n/a	n/a
120	7.58	45.29	163.50	7.58	45.00	3.00	44.00	42.00	42.00
120	n/a	n/a	n/a	n/a	n/a	n/a	n/a	n/a	n/a



Dimensions

Table 138. Mixing box with 4-inch angled filter opening dimensions (inches)

Unit Size	4-inch angled filter bottom panel						4-inch angled filter top panel								
	H1	H2 round opening	Qty	R	OL grate	OW grate	A	N max opn	P max hole	E	H3	Qty	Max bell mouth opening	Max bell mouth	Default bell mouth
35	28.00	32.00	2	60.00	34.25	34.00	4.50	39.00	85.50	7.58	32.00	2	34.00	32.00	32.00
36							3.88	33.38	69.00	7.63	28.00	2	26.00	24.00	24.00
36							3.88	41.13	69.00	7.63	28.00	2	26.00	24.00	24.00
40	28.00	32.00	2	69.00	34.50	39.00	4.50	39.00	98.00	7.58	34.00	2	38.00	36.00	32.00
41							3.88	39.38	69.00	7.63	32.00	2	30.00	28.00	28.00
41							n/a	n/a	n/a	n/a	n/a	n/a	n/a	n/a	n/a
50	30.00	32.00	2	80.00	41.25	39.00	4.50	39.00	111.00	7.58	36.5	2	38.00	36.00	36.00
51							3.88	44.88	82.50	7.63	37.00	2	34.00	32.00	32.00
51							3.88	50.38	82.50	7.63	37.00	2	34.00	32.00	32.00
57	32.00	32.00	3	85.00	34.25	34.00	4.50	39.00	111.00	7.58	32.00	3	38.00	36.00	32.00
58							3.88	44.88	82.50	7.63	37.00	2	34.00	32.00	32.00
58							3.88	50.38	82.50	7.63	37.00	2	34.00	32.00	32.00
58							n/a	n/a	n/a	n/a	n/a	n/a	n/a	n/a	n/a
66	33.00	32.00	3	89.00	34.50	39.00	7.13	34.75	126.00	7.58	34.00	3	34.00	32.00	32.00
66	n/a	n/a	n/a	n/a	n/a	n/a	n/a	n/a	n/a	n/a	n/a	n/a	n/a	n/a	n/a
80	38.00	34.00	3	89.00	41.25	39.00	7.13	39.75	122.00	7.58	36.00	3	38.00	36.00	36.00
80	n/a	n/a	n/a	n/a	n/a	n/a	n/a	n/a	n/a	n/a	n/a	n/a	n/a	n/a	n/a
100	42.00	45.00	2	103.00	51.50	43.25	7.13	45.75	136.00	7.58	45.00	2	44.00	42.00	36.00
100	n/a	n/a	n/a	n/a	n/a	n/a	n/a	n/a	n/a	n/a	n/a	n/a	n/a	n/a	n/a
120	42.00	45.00	3	122.00	44.33	49.75	7.13	45.75	163.50	7.58	45.00	3	44.00	42.00	42.00
120	n/a	n/a	n/a	n/a	n/a	n/a	n/a	n/a	n/a	n/a	n/a	n/a	n/a	n/a	n/a

Table 139. Mixing box without filters with rectangular bottom opening dimensions (inches)

Unit size	Ext W	Ext FSL	Ext H	Bottom rectangular openings			
				V	U	H1	R
35	100.00	48.00	67.25	5.75	20.00	28.00	60.00
40	112.50	48.00	67.25	5.75	21.75	28.00	69.00
50	125.50	48.00	75.75	5.75	22.75	30.00	80.00
57	125.50	48.00	85.50	5.75	20.25	32.00	85.00
66	140.50	49.00	92.50	6.88	25.75	33.00	89.00
66	140.50	84.00	92.50	6.88	25.75	33.00	89.00
80	140.50	54.00	107.50	6.88	25.75	38.00	89.00
80	140.50	92.00	107.50	6.88	25.75	38.00	89.00
100	154.50	60.00	119.75	6.88	25.75	42.00	103.00
100	154.50	96.00	119.75	6.88	25.75	42.00	103.00
120	182.00	60.00	119.75	6.88	30.00	42.00	122.00
120	182.00	96.00	119.75	6.88	30.00	42.00	122.00

Table 140. Mixing box without filters rectangular opening dimensions (inches)

Unit Size	W L H			Rectangular Openings											
				Front/Back				Top				Side			
				V	V1	V2	V3	V	V1	V2	V3	V	V4	V5	V6
36	80.00	40.25	89.00	21.75	15.00	43.00	50.00	8.00	13.00	29.00	54.00	8.00	16.25	54.00	29.00
36	80.00	48.00	89.00	21.75	15.00	43.00	50.00	8.00	13.00	29.00	54.00	8.00	16.25	54.00	29.00
36	80.00	63.75	89.00	21.75	15.00	43.00	50.00	n/a	n/a	n/a	n/a	8.00	16.25	54.00	29.00
41	80.00	46.25	104.00	25.75	15.00	50.00	50.00	6.50	10.00	33.00	60.00	8.00	18.75	64.00	30.00
41	80.00	63.75	104.00	25.75	15.00	50.00	50.00	n/a	n/a	n/a	n/a	8.00	18.75	64.00	30.00
51	93.50	51.75	104.00	25.25	18.25	51.00	57.00	6.00	10.25	34.00	73.00	7.50	13.75	74.00	31.00
51	93.50	57.25	104.00	25.25	18.25	51.00	57.00	6.00	10.25	34.00	73.00	7.50	13.75	74.00	31.00
51	93.50	70.00	104.00	25.25	18.25	51.00	57.00	n/a	n/a	n/a	n/a	7.50	13.75	74.00	31.00
58	93.50	51.75	116.25	27.88	17.75	58.00	58.00	6.00	10.25	34.00	73.00	7.50	14.88	84.00	31.00
58	93.50	57.25	116.25	27.88	17.75	58.00	58.00	6.00	10.25	34.00	73.00	7.50	14.88	84.00	31.00
58	93.50	70.00	116.25	27.88	17.75	58.00	58.00	n/a	n/a	n/a	n/a	7.50	14.88	84.00	31.00

Table 141. Mixing box without filters rectangular full face opening dimensions (inches)

Unit Size	Rectangle Openings											
	Front/Back Full Face				Top Full Face				Side Full Face			
	V	V1	V2	V3	V	V1	V2	V3	V	V4	V5	V6
36	7.50	10.00	71.50	60.00	4.13	5.50	32.00	69.00	4.75	7.50	71.50	30.75
36	7.50	10.00	71.50	60.00	4.13	5.50	32.00	69.00	4.75	7.50	71.50	30.75
36	7.50	10.00	71.50	60.00	n/a	n/a	n/a	n/a	4.75	7.50	71.50	30.75
41	7.50	10.00	86.50	60.00	4.13	5.50	37.75	69.00	4.75	7.50	86.50	36.50
41	7.50	10.00	86.50	60.00	n/a	n/a	n/a	n/a	4.75	7.50	86.50	36.50
51	7.50	10.00	86.50	73.50	4.13	5.50	37.75	82.50	4.75	7.50	86.50	36.50
51	7.50	10.00	86.50	73.50	4.13	5.50	37.75	82.50	4.75	7.50	86.50	36.50
51	7.50	10.00	86.50	73.50	n/a	n/a	n/a	n/a	4.75	7.50	86.50	36.50
58	7.50	10.00	98.75	73.50	4.13	5.50	37.75	82.50	4.75	7.50	98.75	36.50
58	7.50	10.00	98.75	73.50	4.13	5.50	37.75	82.50	4.75	7.50	98.75	36.50
58	7.50	10.00	98.75	73.50	n/a	n/a	n/a	n/a	4.75	7.50	98.75	36.50

Short Mixing Box

Figure 90. Short mixing box

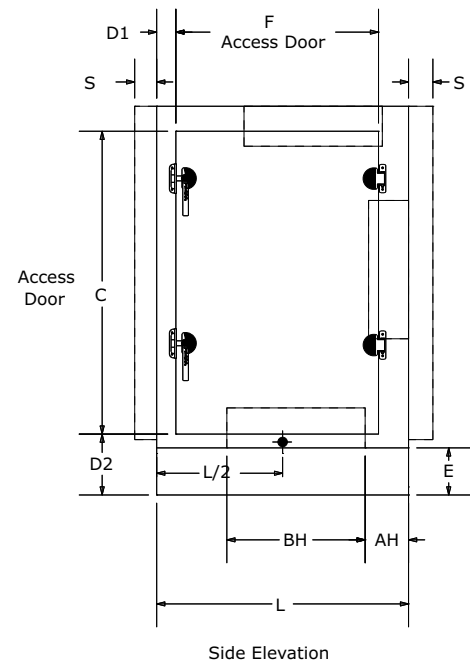
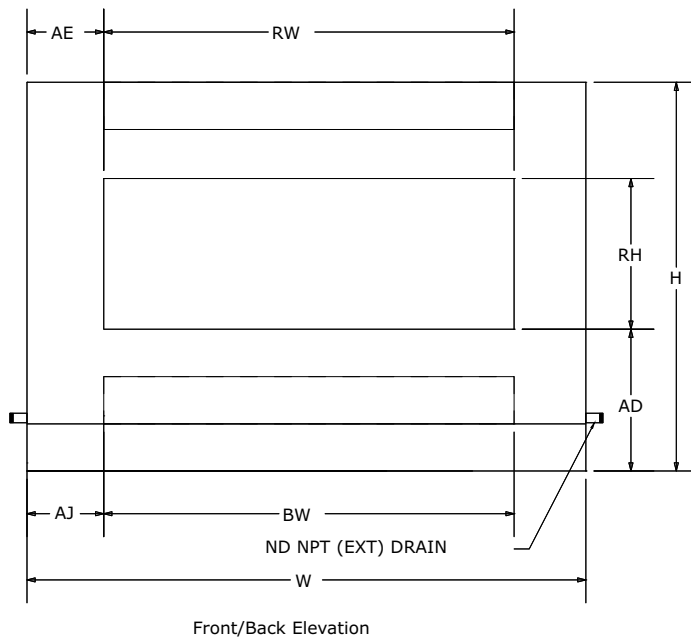
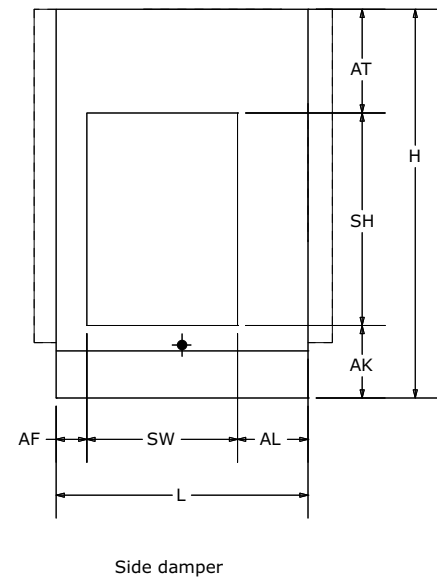
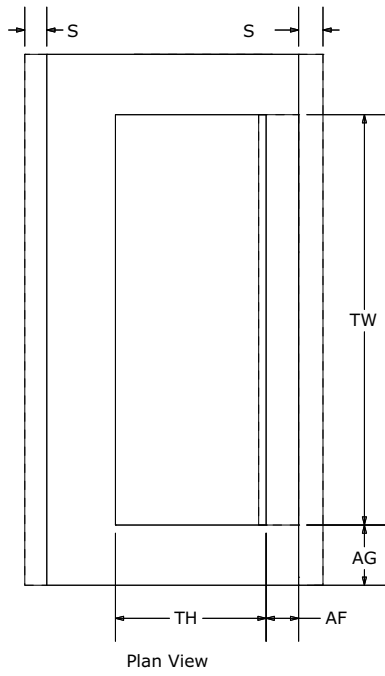


Table 142.Short mixing box dimensions (inches)

Unit size	Ext W	Ext L	Ext H	Door C	F	D1	D2	E
3	31.50	23.38	29.00	22.25	17.38	3.13	4.25	2.50
4	44.00	23.38	29.00	22.25	17.38	3.13	4.25	2.50
6	44.00	23.38	35.25	28.50	17.38	3.13	4.25	2.50
8	50.50	23.38	37.75	31.00	17.38	3.13	4.25	2.50
10	61.50	23.38	37.75	31.00	17.38	3.13	4.25	2.50
12	66.50	23.38	41.50	34.75	17.38	3.13	4.25	2.50
14	72.00	28.38	41.50	34.75	22.38	3.13	4.25	2.50
17	72.00	28.38	49.00	42.25	22.38	3.13	4.25	2.50
21	80.00	28.38	52.75	46.00	22.38	3.13	4.25	2.50
25	80.00	28.38	61.50	54.75	22.38	3.13	4.25	2.50
30	93.50	32.50	61.50	54.75	23.38	3.13	4.25	2.50
35	100.00	35.50	67.25	60.50	23.38	3.13	4.25	2.50
40	112.50	38.50	67.25	60.50	23.38	3.13	4.25	2.50
50	125.50	41.50	75.75	69.00	23.38	3.13	4.25	2.50
57	125.50	41.50	85.50	60.50	23.38	3.13	4.25	2.50
66	140.50	41.50	92.50	60.50	23.38	3.13	7.75	6.00
80	140.50	41.50	107.50	60.50	23.38	3.13	7.75	6.00
100	154.50	47.00	119.75	60.50	23.38	3.13	7.75	6.00
120	182.00	53.00	119.75	60.50	23.38	3.13	7.75	6.00

Table 143.Short mixing box with airfoil dampers dimensions (inches)

Unit size	All openings with airfoil dampers															
	TH	TW	BH	BW	RH	RW	AD	AE	AF	AG	AH	AJ	SH	SW	AK	AL
3	11.25	16.00	8.75	13.50	11.25	16.00	10.38	7.75	8.75	7.75	10.00	9.00	14.25	17.00	11.00	2.50
4	11.25	22.75	8.75	20.25	11.25	22.75	11.00	10.63	7.00	10.63	8.25	11.88	14.25	17.00	10.88	3.25
6	11.25	30.00	8.75	27.50	11.25	30.00	13.38	7.00	9.00	7.00	10.25	8.25	18.75	17.00	11.75	1.63
8	11.25	38.00	8.75	35.50	11.25	38.00	14.63	6.25	8.75	6.25	10.00	7.50	23.25	17.00	10.50	2.13
10	11.25	46.75	8.75	44.25	11.25	46.75	14.63	7.38	8.88	7.38	10.13	8.63	23.25	19.38	10.00	1.88
12	17.00	35.00	14.50	32.50	17.00	35.00	17.25	15.75	2.88	15.75	4.13	17.00	30.00	19.38	8.00	1.88
14	11.25	63.00	8.75	60.50	11.25	63.00	16.50	4.50	10.50	4.50	11.75	5.75	26.25	22.75	11.38	3.75
17	17.00	46.50	14.50	44.00	17.00	46.50	17.38	12.75	4.13	12.75	5.38	14.00	33.50	22.75	11.63	2.88
21	17.00	56.75	14.50	54.25	17.00	56.75	19.25	11.63	4.13	11.63	5.38	12.88	39.75	22.75	9.25	2.88
25	17.00	67.50	14.50	65.00	17.00	67.50	23.63	6.25	2.88	6.25	4.13	7.50	48.75	22.75	8.88	2.88
30	22.75	58.00	20.25	55.50	22.75	58.00	20.75	17.75	3.25	17.75	4.50	19.00	51.50	23.25	6.75	4.75
35	22.75	67.00	20.25	64.50	22.75	67.00	23.38	16.50	5.25	16.50	6.50	17.75	48.50	28.50	12.50	3.63
40	28.50	59.50	26.00	57.00	28.50	59.50	20.50	26.50	5.25	26.50	6.50	27.75	51.00	31.38	10.00	3.63
50	28.50	71.00	26.00	68.50	28.50	71.00	24.75	27.25	5.25	27.25	6.50	28.50	59.75	34.25	9.75	3.75
57	34.25	69.00	30.00	66.50	34.25	69.00	26.75	28.25	3.75	28.25	5.75	29.50	68.75	34.25	10.50	3.75
66	22.75	123.00	20.25	120.50	22.75	123.00	37.75	8.75	6.25	8.75	7.50	10.00	73.50	34.25	12.75	3.75
80	28.50	114.50	26.00	112.00	28.50	114.50	42.38	13.00	6.25	13.00	7.50	14.25	88.00	34.25	13.25	3.75
100	28.50	136.50	26.00	134.00	28.50	136.50	48.50	9.00	6.25	9.00	7.50	10.25	98.00	40.00	15.50	3.63
120	34.25	138.00	31.75	135.50	34.25	138.00	45.63	22.00	6.25	22.00	7.50	23.25	99.00	45.75	14.50	3.75



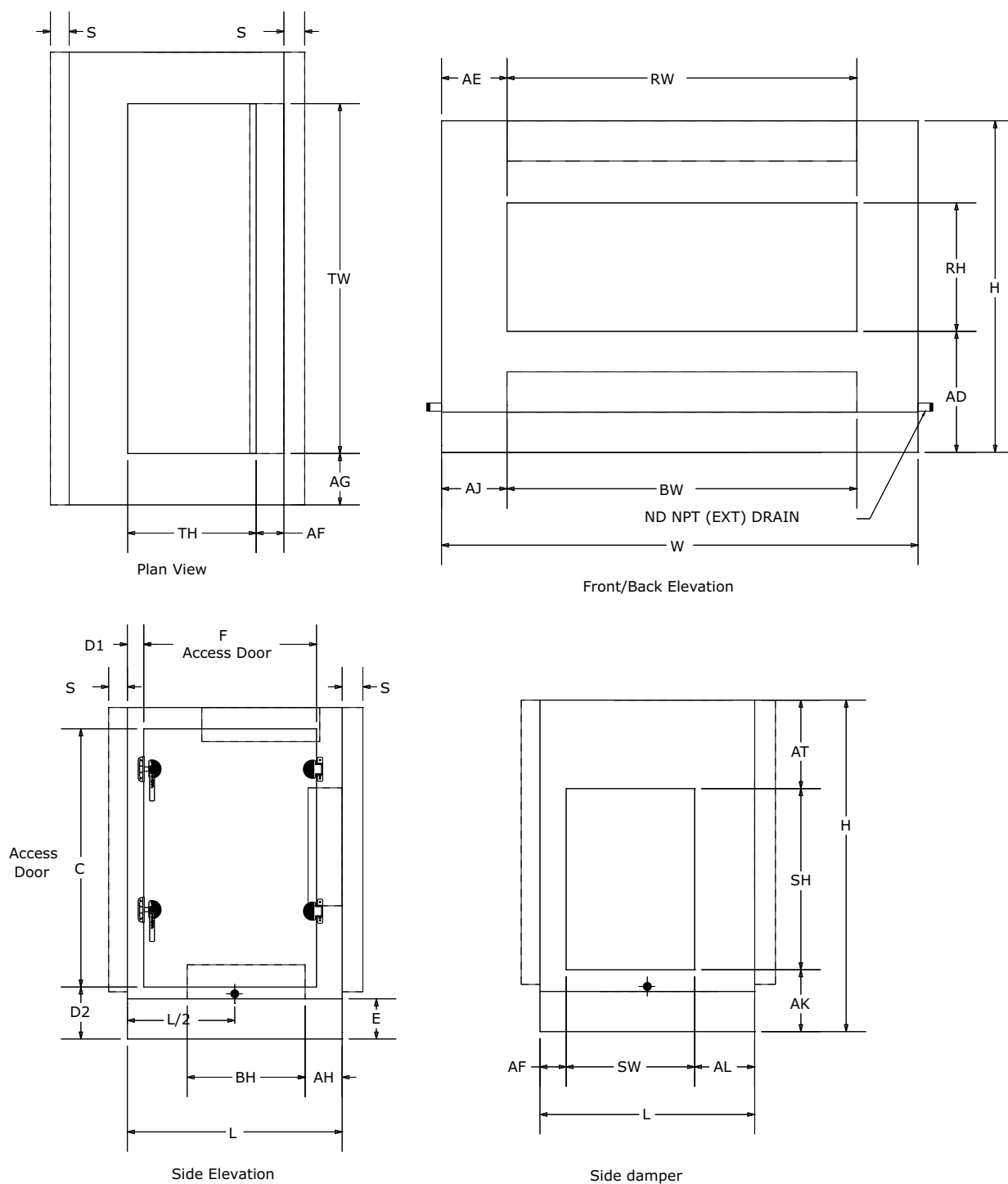
Dimensions

Table 144.Short mixing box without dampers dimensions (inches)

Unit size	All opening without dampers															
	TH	TW	BH	BW	RH	RW	AD	AE	AF	AG	AH	AJ	SH	SW	AK	AL
3	8.75	13.50	8.75	13.50	8.75	13.50	11.63	9.00	10.00	9.00	10.00	9.00	11.75	14.50	12.25	3.75
4	8.75	20.25	8.75	20.25	8.75	20.25	12.25	11.88	8.25	11.88	8.25	11.88	11.75	14.50	12.13	4.50
6	8.75	27.50	8.75	27.50	8.75	27.50	14.63	8.25	10.25	8.25	10.25	8.25	16.25	14.50	13.00	2.88
8	8.75	35.50	8.75	35.50	8.75	35.50	15.88	7.50	10.00	7.50	10.00	7.50	20.75	14.50	11.75	3.38
10	8.75	44.25	8.75	44.25	8.75	44.25	15.88	8.63	10.13	8.63	10.13	8.63	20.75	16.88	11.25	3.13
12	14.50	32.50	14.50	32.50	14.50	32.50	18.50	17.00	4.13	17.00	4.13	17.00	27.50	16.88	9.25	3.13
14	8.75	60.50	8.75	60.50	8.75	60.50	17.75	5.75	11.75	5.75	11.75	5.75	23.75	20.25	12.63	5.00
17	14.50	44.00	14.50	44.00	14.50	44.00	18.63	14.00	5.38	14.00	5.38	14.00	31.00	20.25	12.88	4.13
21	14.50	54.25	14.50	54.25	14.50	54.25	20.50	12.88	5.38	12.88	5.38	12.88	37.25	20.25	10.50	4.13
25	14.50	65.00	14.50	65.00	14.50	65.00	24.88	7.50	4.13	7.50	4.13	7.50	46.25	20.25	10.13	4.13
30	20.25	55.50	20.25	55.50	20.25	55.50	22.00	19.00	4.50	19.00	4.50	19.00	49.00	20.75	8.00	6.00
35	20.25	64.50	20.25	64.50	20.25	64.50	24.63	17.75	6.50	17.75	6.50	17.75	46.00	26.00	13.75	4.88
40	26.00	57.00	26.00	57.00	26.00	57.00	21.75	27.75	6.50	27.75	6.50	27.75	48.50	28.88	11.25	4.88
50	26.00	68.50	26.00	68.50	26.00	68.50	26.00	28.50	6.50	28.50	6.50	28.50	57.25	31.75	11.00	5.00
57	31.75	66.50	30.00	66.50	31.75	66.50	28.00	29.50	5.00	29.50	5.75	29.50	66.25	31.75	11.75	5.00
66	20.25	120.50	20.25	120.50	20.25	120.50	39.00	10.00	7.50	10.00	7.50	10.00	71.00	31.75	14.00	5.00
80	26.00	112.00	26.00	112.00	26.00	112.00	43.63	14.25	7.50	14.25	7.50	14.25	85.50	31.75	14.50	5.00
100	26.00	134.00	26.00	134.00	26.00	134.00	49.75	10.25	7.50	10.25	7.50	10.25	95.50	37.50	16.75	4.88
120	31.75	135.50	31.75	135.50	31.75	135.50	46.88	23.25	7.50	23.25	7.50	23.25	96.50	43.25	15.75	5.00

Mixing Box with Side Dampers

Figure 91. Mixing box with side dampers





Dimensions

Table 145. Mixing box with side dampers

Unit size	Ext W	Ext L	Ext H	Door without filter					Door with filter				
				C	F	D1	D2	E	C	F	D1	D2	E
3 with top Traq	31.50	34.00	29.00	22.25	18.75	7.63	4.25	2.50	22.25	29.00	2.13	4.25	2.50
3 without top Traq	31.50	34.00	29.00	22.25	18.75	7.63	4.25	2.50	22.25	29.00	2.13	4.25	2.50
4 with top Traq	44.00	34.00	29.00	22.25	18.75	7.63	4.25	2.50	22.25	29.00	2.13	4.25	2.50
4 without top Traq	44.00	34.00	29.00	22.25	18.75	7.63	4.25	2.50	22.25	29.00	2.13	4.25	2.50
6 with top Traq	44.00	34.00	35.25	28.50	18.75	7.63	4.25	2.50	28.50	29.00	2.13	4.25	2.50
6 without top Traq	44.00	34.00	35.25	28.50	18.75	7.63	4.25	2.50	28.50	29.00	2.13	4.25	2.50
8 without top Traq	50.50	36.00	37.75	31.00	18.75	8.63	4.25	2.50	31.00	31.00	2.13	4.25	2.50
8 with top Traq	50.50	44.00	37.75	31.00	18.75	12.63	4.25	2.50	31.00	31.00	2.13	4.25	2.50
10	61.50	36.00	37.75	31.00	18.75	8.63	4.25	2.50	31.00	31.00	2.13	4.25	2.50
12 with Top Traq	66.50	42.50	41.50	34.75	18.75	11.88	4.25	2.50	n/a	n/a	n/a	n/a	n/a
12 without Top Traq	66.50	36.00	41.50	34.75	18.75	8.63	4.25	2.50	34.75	31.00	2.13	4.25	2.50
14 without Back Traq	72.00	36.00	41.50	34.75	18.75	8.63	4.25	2.50	34.75	31.00	2.13	4.25	2.50
14 with Back Traq	72.00	42.50	41.50	34.75	18.75	11.88	4.25	2.50	34.75	31.00	2.13	4.25	2.50
17 without back Traq	72.00	36.00	49.00	42.25	20.38	7.88	4.25	2.50	42.25	31.00	2.13	4.25	2.50
17 with back Traq	72.00	36.00	49.00	42.25	20.38	7.88	4.25	2.50	n/a	n/a	n/a	n/a	n/a
21 with Top or Back Traq	80.00	50.25	52.75	46.00	18.75	15.75	4.25	2.50	46.00	29.00	2.13	4.25	2.50
21 without Top and Back Traq	80.00	34.00	52.75	46.00	18.75	7.63	4.25	2.50	46.00	29.00	2.13	4.25	2.50
22 No Top Traq-Side damper	61.50	40.25	67.25	46.00	18.75	10.88	4.25	2.50	60.50	20.38	2.13	4.25	2.50
22 Top Traq-Side damper	61.50	51.50	67.25	46.00	18.75	16.50	4.25	2.50	60.50	20.38	2.13	4.25	2.50
25 without top Traq	80.00	46.00	61.50	54.75	20.38	12.88	4.25	2.50	54.75	31.00	2.13	4.25	2.50
25 with top Traq	80.00	56.50	61.50	54.75	20.38	18.13	4.25	2.50	54.75	31.00	2.13	4.25	2.50
26 No Side damper only	61.50	51.50	85.50	54.75	20.38	15.63	4.25	2.50	78.75	23.38	2.13	4.25	2.50
26 Side damper only	61.50	46.00	85.50	54.75	20.38	12.88	4.25	2.50	78.75	23.38	2.13	4.25	2.50
30 without top Traq	93.50	46.00	61.50	54.75	20.38	12.88	4.25	2.50	54.75	31.00	2.13	4.25	2.50
30 with top Traq	93.50	56.50	61.50	54.75	20.38	18.13	4.25	2.50	54.75	31.00	2.13	4.25	2.50
31 No Top Traq-Side damper	72.00	46.00	85.50	54.75	20.38	12.88	4.25	2.50	78.75	23.38	2.13	4.25	2.50
31 Top Traq-Side damper	72.00	63.75	85.50	54.75	20.38	21.75	4.25	2.50	78.75	23.38	2.13	4.25	2.50
35	100.00	48.00	67.25	60.50	20.38	13.88	4.25	2.50	60.50	20.38	2.13	4.25	2.50
36 No Top Traq-Side damper	80.00	40.25	89.00	54.75	20.38	10.00	4.25	2.50	82.25	23.38	2.125	4.25	2.50
36 Top Traq-Side damper	80.00	63.75	89.00	54.75	20.38	21.75	4.25	2.50	82.25	23.38	2.13	4.25	2.50
40	112.50	48.00	67.25	60.50	20.38	13.88	4.25	2.50	60.50	20.38	2.13	4.25	2.50
41 No Top Traq-Side damper	80.00	46.25	104.00	60.50	20.38	13.00	4.25	2.50	97.25	23.38	2.13	4.25	2.50
41 Top Traq-Side damper	80.00	63.75	104.00	60.50	20.38	21.75	4.25	2.50	97.25	23.38	2.13	4.25	2.50
50	125.50	48.00	75.75	69.00	20.38	13.88	4.25	2.50	69.00	23.38	2.13	4.25	2.50
51 No Top Traq-Side damper	93.50	51.75	104.00	60.50	20.38	15.75	4.25	2.50	97.25	23.38	2.13	4.25	2.50
51 Top Traq-Side damper	93.50	70.00	104.00	60.50	20.38	24.88	4.25	2.50	97.25	23.38	2.13	4.25	2.50
57	125.50	48.00	85.50	60.50	20.38	13.88	4.25	2.50	78.75	23.38	2.13	4.25	2.50
58 With top damper or back damper or back Traq	93.50	57.25	116.25	69.00	20.38	18.50	4.25	2.50	109.50	23.38	2.13	4.25	2.50
58 Top Traq-Side damper	93.50	70.00	116.25	69.00	20.38	24.88	4.25	2.50	109.50	23.38	2.13	4.25	2.50
58 Side damper only	93.50	51.75	116.25	69.00	20.38	15.75	4.25	2.50	109.50	23.38	2.13	4.25	2.50
66 without Top Traq damper	140.50	49.00	92.50	60.50	20.38	14.38	7.75	6.00	82.25	23.38	2.13	7.75	6.00
66 with Top Traq damper	140.50	84.00	92.50	60.50	20.38	31.88	7.75	6.00	82.25	23.38	2.13	7.75	6.00
80 without Top Traq damper	140.50	54.00	107.50	60.50	20.38	16.88	7.75	6.00	97.25	23.38	2.13	7.75	6.00
80 with Top Traq damper	140.50	92.00	107.50	60.50	20.38	35.88	7.75	6.00	97.25	23.38	2.13	7.75	6.00

Table 145. Mixing box with side dampers

Unit size	Ext W	Ext L	Ext H	Door without filter					Door with filter				
				C	F	D1	D2	E	C	F	D1	D2	E
100 without Top Traq damper	154.50	60.00	119.75	60.50	20.38	19.88	7.75	6.00	109.50	23.38	2.13	7.75	6.00
100 with Top Traq damper	154.50	96.00	119.75	60.50	20.38	37.88	7.75	6.00	109.50	23.38	2.13	7.75	6.00
120 without Top Traq damper	182.00	60.00	119.75	60.50	20.38	19.88	7.75	6.00	109.50	23.38	2.13	7.75	6.00
120 with Top Traq damper	182.00	96.00	119.75	60.50	20.38	37.88	7.75	6.00	109.50	23.38	2.13	7.75	6.00

Table 146. Mixing box with side dampers

Unit size	Side openings with airfoil dampers				Side openings without dampers			
	SH	SW	AK	AL	SH	SW	AK	AL
3 with top Traq	14.25	17.00	6.00	9.88	11.75	14.50	7.25	11.13
3 without top Traq	14.25	17.00	8.00	10.50	11.75	14.50	9.25	11.75
4 with top Traq	14.25	17.00	6.13	7.25	11.75	14.50	7.38	8.50
4 without top Traq	14.25	17.00	6.13	9.75	11.75	14.50	7.38	11.00
6 with top Traq	18.75	17.00	7.50	7.25	16.25	14.50	8.75	8.50
6 without top Traq	18.75	17.00	7.50	9.75	16.25	14.50	8.75	11.00
8 without top Traq	23.25	17.00	9.25	11.25	20.75	14.50	10.50	12.50
8 with top Traq	23.25	17.00	6.50	4.00	20.75	14.50	7.75	5.25
10	23.25	19.38	6.00	9.25	20.75	16.88	7.25	10.50
12 with Top Traq	30.00	19.38	7.63	20.25	27.50	16.88	8.88	21.50
12 without Top Traq	30.00	19.38	7.63	10.00	27.50	16.88	8.88	11.25
14 without Back Traq	26.25	22.75	6.13	5.50	23.75	20.25	7.38	6.75
14 with Back Traq	26.25	22.75	9.50	13.25	23.75	20.25	10.75	14.50
17 without back Traq	33.50	22.75	6.13	5.50	31.00	20.25	7.38	6.75
17 with back Traq	33.50	22.75	10.50	10.38	31.00	20.25	11.75	11.63
21 with top or back Traq	39.75	22.75	6.25	21.00	37.25	20.25	7.50	22.25
21 without top and back Traq	39.75	22.75	9.25	3.50	37.25	20.25	10.50	4.75
22 no top Traq/side damper	61.50	40.25	39.75	22.75	14.75	10.75	37.25	20.25
22 top Traq/side damper	61.50	51.50	39.75	22.75	14.75	18.00	37.25	20.25
25 without top Traq	48.75	22.75	7.88	15.50	46.25	20.25	8.75	16.75
25 with top Traq	48.75	22.75	7.50	26.00	46.25	20.25	8.75	27.25
26 no side damper only	61.50	51.50	48.75	22.75	24.00	18.00	46.25	20.25
26 side damper only	61.50	46.00	48.75	22.75	24.00	12.50	46.25	20.25
30 without top Traq	51.50	23.25	6.13	16.25	49.00	20.75	7.38	17.50
30 with top Traq	51.50	23.25	6.13	26.75	49.00	20.75	7.38	28.00
31 no top Traq/side damper	72.00	46.00	48.50	28.50	18.25	10.75	46.00	26.00
31 top Traq/side damper	72.00	63.75	48.50	28.50	18.25	24.50	46.00	26.00
35	48.50	28.50	8.75	13.13	46.00	26.00	10.00	14.38
36 no top Traq/side damper	80.00	40.25	48.50	28.50	19.75	4.38	46.00	26.00
36 top Traq/side damper	80.00	63.75	48.50	28.50	17.75	24.50	46.00	26.00
40	51.00	31.38	8.75	9.63	48.50	28.88	10.00	10.88
41 no top Traq/side damper	80.00	46.25	51.00	34.25	28.25	5.13	48.50	31.75
41 top Traq/side damper	80.00	63.75	51.00	34.25	28.25	22.63	48.50	31.75
50	59.75	34.25	8.75	6.00	57.25	31.75	10.00	7.25
51 no top Traq/side damper	93.50	51.75	50.00	40.00	29.25	4.88	47.50	37.50
51 top Traq/side damper	93.50	70.00	50.00	40.00	29.25	23.13	47.50	37.50
57	68.75	34.25	8.75	6.00	66.25	31.75	10.00	7.25

Dimensions

Table 146. Mixing box with side dampers

Unit size	Side openings with airfoil dampers				Side openings without dampers			
	SH	SW	AK	AL	SH	SW	AK	AL
58 with top damper or back damper or back Traq	93.50	57.25	68.75	34.25	11.75	12.25	66.25	31.75
58 top Traq/side damper	93.50	70.00	68.75	34.25	16.75	25.00	66.25	31.75
58 side damper only	93.50	51.75	68.75	34.25	11.75	8.75	66.25	31.75
66 without Top Traq damper	73.50	34.25	12.75	8.00	71.00	31.75	14.00	9.25
66 with Top Traq damper	73.50	34.25	12.75	43.00	71.00	31.75	14.00	44.25
80 without Top Traq damper	88.00	34.25	13.25	13.00	85.50	31.75	14.50	14.25
80 with Top Traq damper	88.00	34.25	13.25	51.00	85.50	31.75	14.50	52.25
100 without Top Traq damper	98.00	40.00	15.50	13.25	95.50	37.50	16.75	14.50
100 with Top Traq damper	98.00	40.00	15.50	49.25	95.50	37.50	16.75	50.50
120 without Top Traq damper	99.00	45.75	14.50	7.50	96.50	43.25	15.75	8.75
120 with Top Traq damper	99.00	45.75	14.50	43.50	96.50	43.25	15.75	44.75

Mixing Box with Side Traq Dampers

Figure 92. Mixing box with side Traq dampers

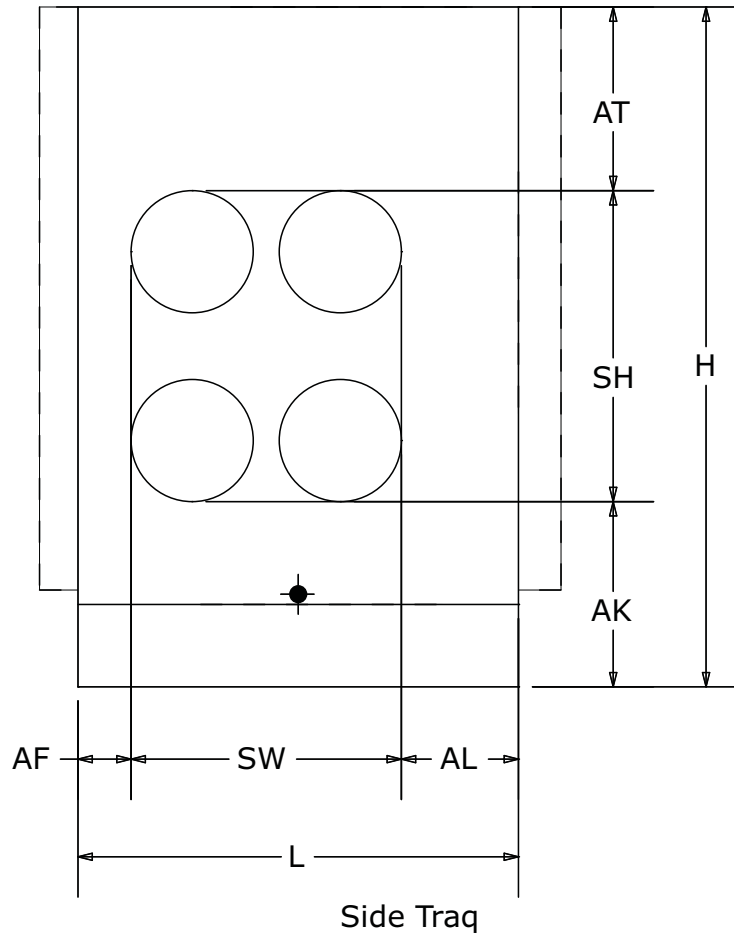


Table 147. Mixing box with side Traq dampers

Unit size	Ext W	Ext L	Ext H	Side opening with Traq dampers		Door without filter				
				AF	AT	C	F	D1	D2	E
3L without top Traq and without bottom damper	31.50	34.00	29.00	6.00	6.50	22.25	18.75	7.63	4.25	2.50
3XL with top Traq or with bottom damper	31.50	37.00	29.00	6.00	6.50	22.25	18.75	9.13	4.25	2.50
4L without top/back Traq	44.00	34.00	29.00	6.00	6.50	22.25	18.75	7.63	4.25	2.50
4XL with top/back Traq	44.00	41.00	29.00	3.50	6.50	22.25	18.75	11.13	4.25	2.50
6L	44.00	34.00	35.25	6.00	9.50	28.50	18.75	7.63	4.25	2.50
8L without top/back Traq	50.50	36.00	37.75	8.00	11.00	31.00	18.75	8.63	4.25	2.50
8XL with top/back Traq	50.50	44.00	37.75	8.00	11.00	31.00	18.75	12.63	4.25	2.50
10L	61.50	36.00	37.75	3.63	9.63	31.00	18.75	8.63	4.25	2.50
12L without top/back Traq	66.50	36.00	41.50	4.13	11.13	34.75	18.75	8.63	4.25	2.50
12XL with top/back Traq	66.50	42.50	41.50	4.13	11.13	34.75	18.75	11.88	4.25	2.50
14L without top Traq	72.00	36.00	41.50	5.00	3.88	34.75	18.75	8.63	4.25	2.50
14L with top Traq	72.00	36.00	41.50	3.88	9.00	34.75	18.75	8.63	4.25	2.50
17L	72.00	36.00	49.00	5.00	10.13	42.25	20.38	7.88	4.25	2.50
21L with top/back damper	80.00	34.00	52.75	6.00	7.00	46.00	18.75	7.63	4.25	2.50
21L with bottom damper or side Traq only	80.00	34.00	52.75	4.13	3.88	46.00	18.75	7.63	4.25	2.50
21XL with top/back Traq damper	80.00	50.25	52.75	6.13	7.00	46.00	18.75	15.75	4.25	2.50
22 top Traq/side Traq	61.50	51.50	67.25			46.00	18.75	16.50	4.25	2.50
22 back Traq/side Traq or top damper/side Traq	61.50	40.25	67.25			46.00	18.75	10.88	4.25	2.50
22 back damper/side standard Traq or side standard Traq only	61.50	34.00	67.25			46.00	18.75	7.75	4.25	2.50
22 Back damper/side low-flow Traq or side low-flow Traq only	61.50	34.00	67.25			46.00	18.75	7.75	4.25	2.50
25L without top std Traq	80.00	46.00	61.50	9.00	10.13	54.75	20.38	12.88	4.25	2.50
25XL with top std Traq	80.00	56.50	61.50	9.00	10.13	54.75	20.38	18.13	4.25	2.50
26 Top damper/side Traq	61.50	51.50	85.50			46.00	18.75	16.50	4.25	2.50
26 Back damper/side Traq or side Traq only	61.50	46.00	85.50			46.00	18.75	13.75	4.25	2.50
30L without top/back Traq	93.50	46.00	61.50	10.63	4.13	54.75	20.38	12.88	4.25	2.50
30XL with top Traq	93.50	56.50	61.50	8.63	13.63	54.75	20.38	18.13	4.25	2.50
30XL with back Traq	93.50	56.50	61.50	10.63	4.13	54.75	20.38	18.13	4.25	2.50
31 Top Traq/side Traq	72.00	63.75	85.50			54.75	20.38	21.750	4.250	2.500
31 No top Traq/side Traq	72.00	46.00	85.50			54.75	20.38	12.875	4.250	2.500
35L without top/back Traq	100.00	48.00	67.25	10.13	7.38	60.50	20.38	13.88	4.25	2.50
35XL with top/back Traq	100.00	63.75	67.25	11.13	7.38	60.50	20.38	21.75	4.25	2.50
36 top Traq/side Traq	80.00	63.75	89.00			54.75	20.38	21.750	4.250	2.500
36 back Traq/side Traq	80.00	48.00	89.00			54.75	20.38	13.875	4.250	2.500
36 Top damper/side Traq or back damper/side Traq or side Traq only	80.00	40.25	89.00			54.75	20.38	10.000	4.250	2.500
40L without top/back Traq	112.50	48.00	67.25	10.13	7.38	60.50	20.38	13.88	4.25	2.50
40XL with top/back Traq	112.50	63.75	67.25	11.13	7.38	60.50	20.38	21.75	4.25	2.50
41 top Traq/side Traq	80.00	63.75	104.00			60.50	20.38	21.75	4.25	2.50
41 no top Traq/side Traq	80.00	46.25	104.00			60.50	20.38	13.00	4.25	2.50
50L without top/back Traq	125.50	48.00	75.75	6.75	6.63	69.00	20.38	13.88	4.25	2.50
50XL with top/back Traq	125.50	68.50	75.75	7.25	6.75	69.00	20.38	24.13	4.25	2.50



Dimensions

Table 147. Mixing box with side Traq dampers

Unit size	Ext W	Ext L	Ext H	Side opening with Traq dampers		Door without filter				
				AF	AT	C	F	D1	D2	E
51 top Traq/side Traq	93.50	70.00	104.00			60.50	20.38	24.88	4.25	2.50
51 back Traq/side Traq	93.50	57.25	104.00			60.50	20.38	18.50	4.25	2.50
51 top damper/side Traq or back damper/side Traq or side Traq only	93.50	51.75	104.00			60.50	20.38	15.75	4.25	2.50
57XL	125.50	68.50	85.50	7.25	9.25	60.50	20.38	24.13	4.25	2.50
58 top Traq/side Traq	93.50	70.00	116.25			69.00	20.38	24.875	4.25	2.50
58 back Traq/side Traq or top damper/side Traq	93.50	57.25	116.25			69.00	20.38	18.50	4.25	2.50
58 back damper/side Traq or side Traq only	93.50	51.75	116.25			69.00	20.38	15.75	4.25	2.50
66L without top/back Traq	140.50	49.00	92.50	7.75	13.75	60.50	20.38	14.38	7.75	6.00
66XL with top/back Traq	140.50	84.00	92.50	9.75	13.75	60.50	20.38	31.88	11.25	6.00
80L without top/back Traq	140.50	54.00	107.50	7.25	17.75	60.50	20.38	16.88	7.75	6.00
80XL with top/back Traq	140.50	92.00	107.50	7.25	17.75	60.50	20.38	35.88	7.75	6.00
100XL	154.50	96.00	119.75	7.00	19.75	60.50	20.38	37.88	7.75	6.00
120XL	182.00	96.00	119.75	9.38	22.25	60.50	20.38	37.88	7.75	6.00

Table 148. Mixing box with side Traq dampers

Unit size	Door with filter					Side opening with Traq			
	C	F	D1	D2	E	SH	SW	AK	AL
3L without top Traq and without bottom damper	n/a	n/a	n/a	n/a	n/a	16.13	16.13	6.50	12.00
3XL with top Traq or with bottom damper	n/a	n/a	n/a	n/a	n/a	16.13	16.13	6.50	15.00
4L without top/back Traq	n/a	n/a	n/a	n/a	n/a	16.13	16.13	6.50	12.00
4XL with top/back Traq	n/a	n/a	n/a	n/a	n/a	16.13	16.13	6.50	21.50
6L	n/a	n/a	n/a	n/a	n/a	16.13	16.13	9.75	12.00
8L without top/back Traq	n/a	n/a	n/a	n/a	n/a	16.13	16.13	10.75	12.00
8XL with top/back Traq	n/a	n/a	n/a	n/a	n/a	16.13	16.13	10.75	20.00
10L	n/a	n/a	n/a	n/a	n/a	19.75	19.75	8.38	12.63
12L without top/back Traq	n/a	n/a	n/a	n/a	n/a	19.75	19.75	10.63	12.13
12XL with top/back Traq	n/a	n/a	n/a	n/a	n/a	19.75	19.75	10.63	18.63
14L without top Traq	n/a	n/a	n/a	n/a	n/a	31.50	21.13	6.25	10.00
14L with top Traq	n/a	n/a	n/a	n/a	n/a	26.63	28.38	6.13	3.88
17L	n/a	n/a	n/a	n/a	n/a	31.38	21.50	7.75	9.63
21L with top/back damper	n/a	n/a	n/a	n/a	n/a	39.75	22.25	6.13	5.88
21L with bottom damper or side Traq only	n/a	n/a	n/a	n/a	n/a	38.75	26.13	10.38	3.88
21XL with top/back Traq damper	n/a	n/a	n/a	n/a	n/a	39.75	19.75	6.13	24.38
22 top Traq/side Traq	61.50	51.50	67.25	60.500	20.375	2.13	4.25	2.50	48.25
22 back Traq/side Traq or top damper/side Traq	61.50	40.25	67.25	60.500	20.375	2.13	4.25	2.50	48.25
22 back damper/side standard Traq or side standard Traq only	61.50	34.00	67.25	60.500	20.375	2.13	4.25	2.50	48.25
22 back damper/side low-flow Traq or side low-flow Traq only	61.50	34.00	67.25	60.500	20.375	2.13	4.25	2.50	48.25
25L without top std Traq	54.75	31.00	2.13	4.25	2.50	43.25	21.75	8.13	15.38
25XL with top std Traq	54.75	31.00	2.13	4.25	2.50	43.25	21.75	8.13	25.88
26 top damper/side Traq	61.50	51.50	85.50	78.75	20.38	2.13	4.25	2.50	48.25
26 back damper/side Traq or side Traq only	61.50	46.00	85.50	78.75	20.38	2.13	4.25	2.50	48.25

Table 148. Mixing box with side Traq dampers

Unit size	Door with filter					Side opening with Traq			
	C	F	D1	D2	E	SH	SW	AK	AL
30L without top/back Traq	54.75	31.00	2.13	4.25	2.50	51.25	24.75	6.13	10.63
30XL with top Traq	54.75	31.00	2.13	4.25	2.50	41.75	43.75	6.13	4.13
30XL with back Traq	54.75	31.00	2.13	4.25	2.50	51.25	24.75	6.13	21.13
31 top Traq/side Traq	72.00	63.75	85.50	78.75	23.38	2.13	4.25	2.50	50.75
31 no top Traq/side Traq	72.00	46.00	85.50	78.75	23.38	2.125	4.25	2.50	50.75
35L without top/back Traq	60.50	20.38	2.13	4.25	2.50	49.75	32.25	10.13	5.63
35XL with top/back Traq	60.50	20.38	2.13	4.25	3.50	49.75	37.75	10.13	14.88
36 top Traq/side Traq	80.00	63.75	89.00	82.25	23.38	2.13	4.25	2.50	64.00
36 back Traq/side Traq	80.00	48.00	89.00	82.25	23.38	2.13	4.25	2.50	64.00
36 top damper/side Traq or back dampers/side Traq or side Traq only	80.00	40.25	89.00	82.25	23.38	2.13	4.25	2.50	64.00
40L without top/back Traq	60.50	20.38	2.13	4.25	2.50	49.75	32.25	10.13	5.63
40XL with top/back Traq	60.50	20.38	2.13	4.25	2.50	49.75	37.75	10.13	14.88
41 top Traq/side Traq	80.00	63.75	104.00	97.25	23.38	2.13	4.25	2.50	57.25
41 no top Traq/side Traq	80.00	46.25	104.00	97.25	23.38	2.13	4.25	2.50	57.25
50L without top/back Traq	69.00	23.38	2.13	4.25	2.50	60.13	36.63	9.13	4.75
50XL with top/back Traq	69.00	23.38	2.13	4.25	2.50	59.88	36.75	9.25	24.75
51 top Traq/side Traq	93.50	70.00	104.00	97.25	23.38	2.13	4.25	2.50	65.75
51 back Traq/side Traq	93.50	57.25	104.00	97.25	23.38	2.13	4.25	2.50	65.75
51 top dampers/side Traq or back damper/side Traq or side Traq only	93.50	51.75	104.00	97.25	23.38	2.13	4.25	2.50	65.75
57XL	78.75	23.38	2.13	4.25	2.50	64.75	33.75	11.75	27.75
58 top Traq/side Traq	93.50	70.00	116.25	109.50	23.38	2.13	4.25	2.50	65.75
58 back Traq/side Traq or top dampers/side Traq	93.50	57.25	116.25	109.50	23.38	2.13	4.25	2.50	65.75
58 back dampers/side Traq or side Traq only	93.50	51.75	116.25	109.50	23.38	2.13	4.25	2.50	65.75
66L without top/back Traq	82.25	23.38	2.13	7.75	6.00	63.75	32.75	15.25	8.75
66XL with top/back Traq	82.25	23.38	2.13	11.25	7.00	63.75	32.75	15.25	41.75
80L without top/back Traq	97.25	23.38	2.13	7.75	6.00	75.50	37.50	14.25	9.25
80XL with top/back Traq	97.25	23.38	2.13	7.75	6.00	75.50	37.50	14.25	47.25
100XL	109.50	23.38	2.13	7.75	6.00	77.50	71.88	22.50	17.25
120XL	109.50	23.38	2.13	7.75	6.00	72.75	69.00	25.00	17.75

Multizone

Figure 93. Multizone 2-deck vertical discharge with inward door

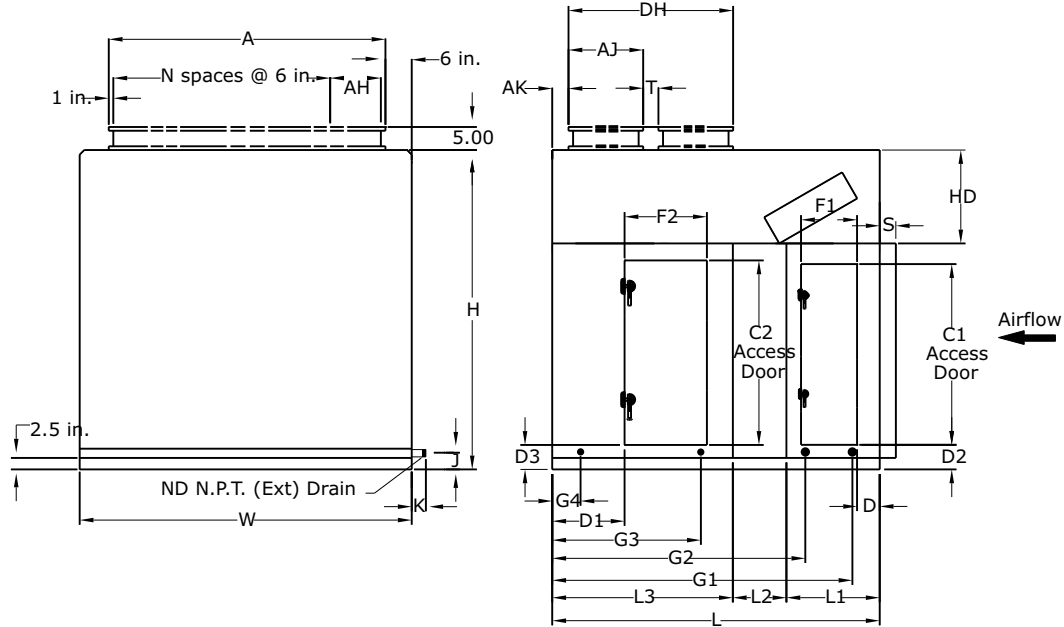
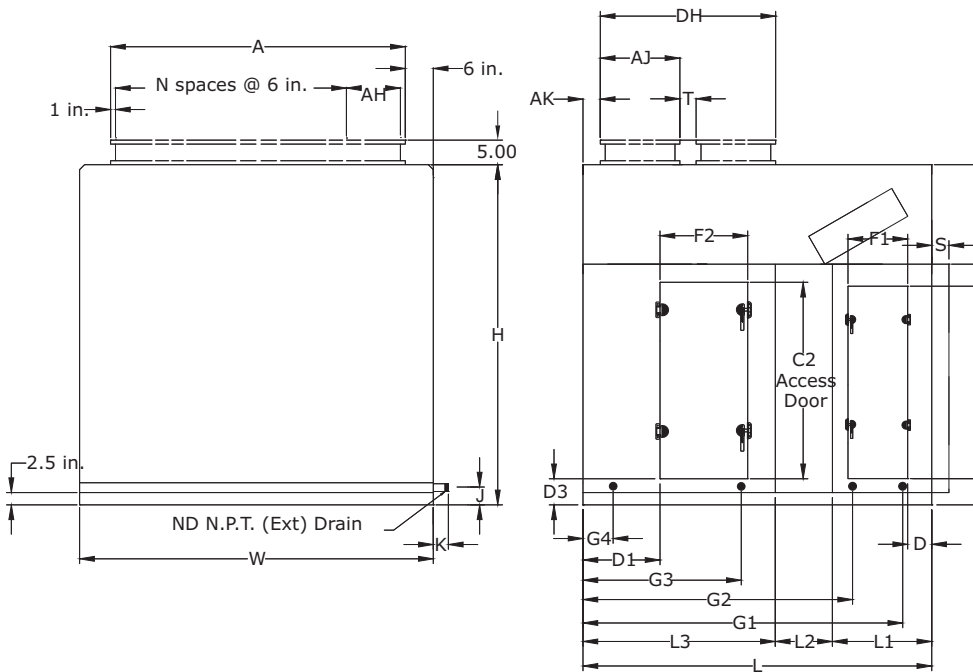


Figure 94. Multizone 2-deck vertical discharge with outward door



Note: Numbering of the damper is from low voltage to high voltage for all multizone dampers.

Table 149. Multizone 2-deck vertical discharge dimensions (inches)

Unit Size					Door upstream of coil								Door downstream from coil ¹							
	W	L	H	Inward swinging door ²				Outward swinging door ³				Inward swinging door ²				Outward swinging door ³				
				C1	F1	D	D2	C1	F1	D	D2	C2	F2	D1	D3	C2	F2	D1	D3	
6	44.00	61.00	52.50	n/a	n/a	n/a	n/a	28.50	9.88	2.13	4.25	25.63	12.13	11.13	5.38	28.50	14.88	11.13	4.25	
8	50.50	61.00	55.00	n/a	n/a	n/a	n/a	31.00	9.88	2.13	4.25	28.13	12.13	11.13	5.38	31.00	14.88	11.13	4.25	
10	61.50	66.00	58.00	n/a	n/a	n/a	n/a	31.00	9.88	2.13	4.25	28.13	17.63	10.63	5.38	31.00	20.38	10.63	4.25	
12	66.50	71.00	61.75	31.88	12.13	3.50	5.38	n/a	n/a	n/a	n/a	31.88	17.63	10.63	5.38	34.75	20.38	10.63	4.25	
14	72.00	71.00	61.75	31.88	12.13	3.50	5.38	n/a	n/a	n/a	n/a	31.88	17.63	10.63	5.38	34.75	20.38	10.63	4.25	
17	72.00	71.00	69.25	39.38	12.13	3.50	5.38	n/a	n/a	n/a	n/a	39.38	17.63	10.63	5.38	42.25	20.38	10.63	4.25	
21	80.00	82.00	76.00	43.13	19.63	3.50	5.38	n/a	n/a	n/a	n/a	43.13	17.63	14.13	5.38	46.00	20.38	14.13	4.25	
25	80.00	82.00	84.75	51.88	19.63	3.50	5.38	n/a	n/a	n/a	n/a	51.88	17.63	14.13	5.38	54.75	20.38	14.13	4.25	
30	93.50	82.00	84.75	51.88	19.63	3.50	5.38	n/a	n/a	n/a	n/a	51.88	17.63	14.13	5.38	54.75	20.38	14.13	4.25	
35	100.00	92.00	95.25	57.63	17.63	3.50	5.38	n/a	n/a	n/a	n/a	57.63	17.63	21.13	5.38	60.50	20.38	21.13	4.25	
40	112.50	92.00	95.25	57.63	17.63	3.50	5.38	n/a	n/a	n/a	n/a	57.63	17.63	21.13	5.38	60.50	20.38	21.13	4.25	
50	125.50	96.00	103.75	66.13	17.63	3.50	5.38	n/a	n/a	n/a	n/a	66.13	17.63	25.63	5.38	69.00	20.38	25.63	4.25	

Note: ¹ Door will be inward swinging unless the UV light option is selected. ² Dimensions are to the door opening. The handle will always be on the downstream side of the door. ³ Dimensions are to the outside of the door itself. The handle will always be on the side of the door closest to the coil.

Table 150. Multizone 2-deck vertical discharge dimensions (inches)

Unit size	HD	AH	AJ	T	AK	DH	N	A	L1	L2	L3	G1	G2	G3	G4	J	K	ND (NPT)	S
6	17.25	6.00	13.25	3.38	3.63	29.75	4.00	32.00	13.13	20.75	27.25	n/a	n/a	n/a	n/a	3.38	2.50	1.00	1.00
8	17.25	6.50	13.25	3.38	3.63	29.75	5.00	38.50	13.13	20.75	27.25	n/a	n/a	n/a	n/a	3.38	2.50	1.00	1.00
10	20.25	11.50	16.25	3.38	3.63	35.75	6.00	49.50	13.13	20.75	32.25	n/a	59.00	42.50	26.00	3.38	2.50	1.00	1.00
12	20.25	10.50	16.25	3.38	3.63	35.75	7.00	54.50	18.13	20.75	32.25	n/a	61.50	42.50	23.50	3.38	2.50	1.00	1.00
14	20.25	10.00	16.25	3.38	3.63	35.75	8.00	60.00	18.13	20.75	32.25	n/a	61.50	42.50	23.50	3.38	2.50	1.00	1.00
17	20.25	10.00	16.25	3.38	3.63	35.75	8.00	60.00	18.13	20.75	32.25	n/a	61.50	42.50	23.50	3.38	2.50	1.00	1.00
21	23.25	6.00	19.25	3.38	3.63	41.75	10.00	68.00	25.63	20.75	35.75	n/a	68.75	46.00	23.25	3.38	2.50	1.00	1.00
25	23.25	6.00	19.25	3.38	3.63	41.75	10.00	68.00	25.63	20.75	35.75	n/a	68.75	46.00	23.25	3.38	2.50	1.00	1.00
30	23.25	7.50	19.25	3.38	3.63	41.75	12.00	81.50	25.63	20.75	35.75	n/a	68.75	46.00	23.25	3.38	2.50	1.00	1.00
35	28.00	8.00	23.25	4.38	4.50	50.75	13.00	88.00	28.63	20.75	42.75	n/a	77.25	53.00	28.75	3.25	3.50	1.25	1.00
40	28.00	8.50	23.25	4.38	4.50	50.75	15.00	100.50	28.63	20.75	42.75	n/a	77.25	53.00	28.75	3.25	3.50	1.25	1.00
50	28.00	9.50	23.25	4.38	4.50	50.75	17.00	113.50	26.63	22.25	47.25	91.00	76.50	43.00	9.50	3.25	3.50	1.25	1.00

Dimensions

Figure 95. Multizone 2-deck horizontal discharge with inward door

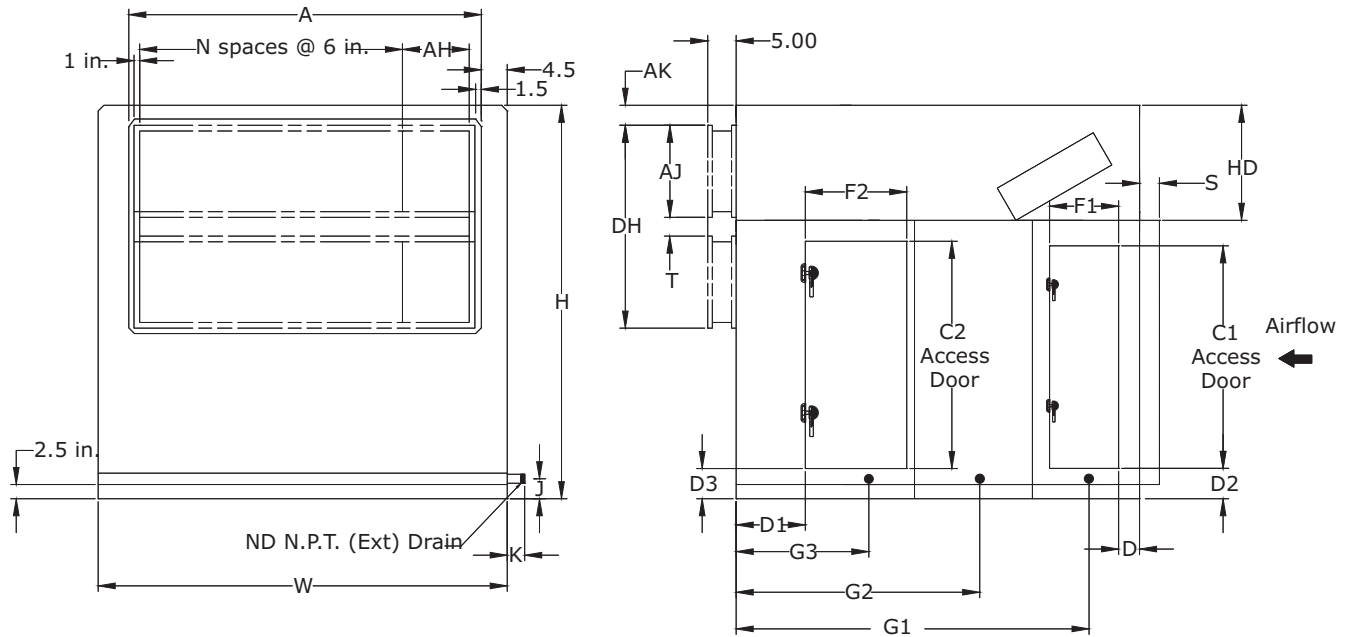


Figure 96. Multizone 2-deck horizontal discharge with outward door

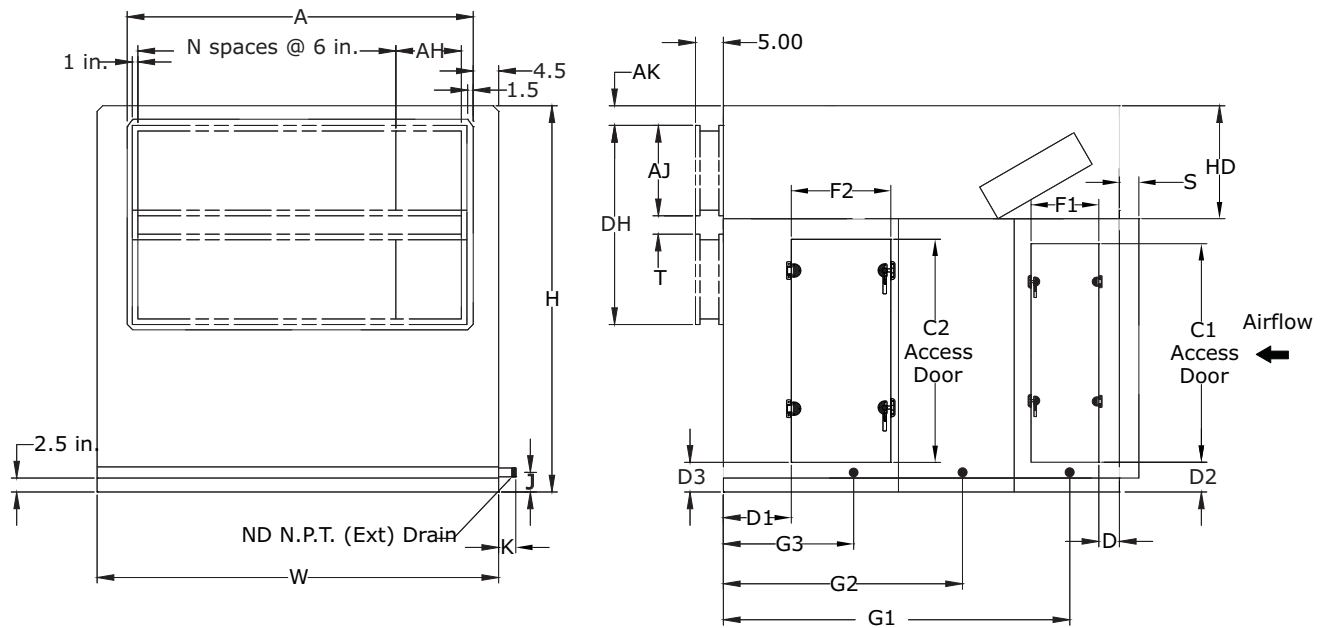


Table 151. Multizone 2-deck horizontal discharge dimensions (inches)

Unit size	W L H			Door upstream of coil								Door downstream from coil ¹							
				Inward swinging door ²				Outward swinging door ³				Inward swinging door ²				Outward swinging door ³			
				C1	F1	D	D2	C1	F1	D	D2	C2	F2	D1	D3	C2	F2	D1	D3
6	44.00	52.00	52.50	n/a	n/a	n/a	n/a	28.50	9.88	2.13	4.25	n/a	n/a	n/a	n/a	28.50	14.00	3.13	4.25
8	50.50	52.00	55.00	n/a	n/a	n/a	n/a	31.00	9.88	2.13	4.25	n/a	n/a	n/a	n/a	31.00	14.00	3.13	4.25
10	61.50	52.00	58.00	n/a	n/a	n/a	n/a	31.00	9.88	2.13	4.25	n/a	n/a	n/a	n/a	31.00	14.00	3.13	4.25
12	66.50	57.00	61.75	31.88	12.13	3.50	5.38	n/a	n/a	n/a	n/a	n/a	n/a	n/a	n/a	34.75	14.00	3.13	4.25
14	72.00	57.00	61.75	31.88	12.13	3.50	5.38	n/a	n/a	n/a	n/a	n/a	n/a	n/a	n/a	34.75	14.00	3.13	4.25
17	72.00	57.00	69.25	39.38	12.13	3.50	5.38	n/a	n/a	n/a	n/a	n/a	n/a	n/a	n/a	42.25	14.00	3.13	4.25
21	80.00	72.00	76.00	43.13	19.63	3.50	5.38	n/a	n/a	n/a	n/a	43.13	12.13	11.00	5.38	46.00	14.88	9.63	4.25
25	80.00	72.00	84.75	51.88	19.63	3.50	5.38	n/a	n/a	n/a	n/a	51.88	12.13	11.00	5.38	54.75	14.88	9.63	4.25
30	93.50	72.00	84.75	51.88	19.63	3.50	5.38	n/a	n/a	n/a	n/a	51.88	12.13	11.00	5.38	54.75	14.88	9.63	4.25
35	100.00	78.00	95.25	57.63	17.63	3.50	5.38	n/a	n/a	n/a	n/a	57.63	12.13	14.00	5.38	60.50	14.88	12.63	4.25
40	112.50	78.00	95.25	57.63	17.63	3.50	5.38	n/a	n/a	n/a	n/a	57.63	12.13	14.00	5.38	60.50	14.88	12.63	4.25
50	125.50	78.00	103.75	66.13	17.63	3.50	5.38	n/a	n/a	n/a	n/a	66.13	12.13	14.50	5.38	69.00	14.88	13.13	4.25

Table 152. Multizone 2-deck horizontal discharge dimensions (inches)

Unit size	HD	AH	AJ	T	AK	DH	N	A	L1	L2	L3	G1	G2	G3	J	K	ND (NPT)	S
6	17.25	6.00	13.25	3.38	3.25	29.75	4.00	35.00	13.13	20.75	18.25	45.00	28.50	9.50	3.38	2.50	1.00	1.00
8	17.25	6.50	13.25	3.38	3.25	29.75	5.00	41.50	13.13	20.75	18.25	45.00	28.50	9.50	3.38	2.50	1.00	1.00
10	20.25	11.50	16.25	3.38	3.25	35.75	6.00	52.50	13.13	20.75	18.25	45.00	28.50	9.50	3.38	2.50	1.00	1.00
12	20.25	10.50	16.25	3.38	3.25	35.75	7.00	57.50	18.13	20.75	18.25	47.50	28.50	9.50	3.38	2.50	1.00	1.00
14	20.25	10.00	16.25	3.38	3.25	35.75	8.00	63.00	18.13	20.75	18.25	47.50	28.50	9.50	3.38	2.50	1.00	1.00
17	20.25	10.00	16.25	3.38	3.25	35.75	8.00	63.00	18.13	20.75	18.25	47.50	28.50	9.50	3.38	2.50	1.00	1.00
21	23.25	6.00	19.25	3.38	3.25	41.75	10.00	71.00	25.63	20.75	25.75	58.75	36.00	13.25	3.38	2.50	1.00	1.00
25	23.25	6.00	19.25	3.38	3.25	41.75	10.00	71.00	25.63	20.75	25.75	58.75	36.00	13.25	3.38	2.50	1.00	1.00
30	23.25	7.50	19.25	3.38	3.25	41.75	12.00	84.50	25.63	20.75	25.75	58.75	36.00	13.25	3.38	2.50	1.00	1.00
35	28.00	8.00	23.25	4.38	3.38	50.75	13.00	91.00	28.63	20.75	28.75	63.25	39.00	14.75	3.25	3.50	1.25	1.00
40	28.00	8.50	23.25	4.38	3.38	50.75	15.00	103.50	28.63	20.75	28.75	63.25	39.00	14.75	3.25	3.50	1.25	1.00
50	28.00	9.50	23.25	4.38	3.38	50.75	17.00	116.50	26.63	22.25	29.25	63.25	39.00	14.75	3.25	3.50	1.25	1.00

Note: ¹ Door will be inward swinging unless the UV light option is selected ² Dimensions are to the door opening. The handle will always be on the downstream side of the door. ³ Dimensions are to the outside of the door itself. The handle will always be on the side of the door closest to the coil.

Figure 97. Multizone 3-deck vertical discharge with inward door

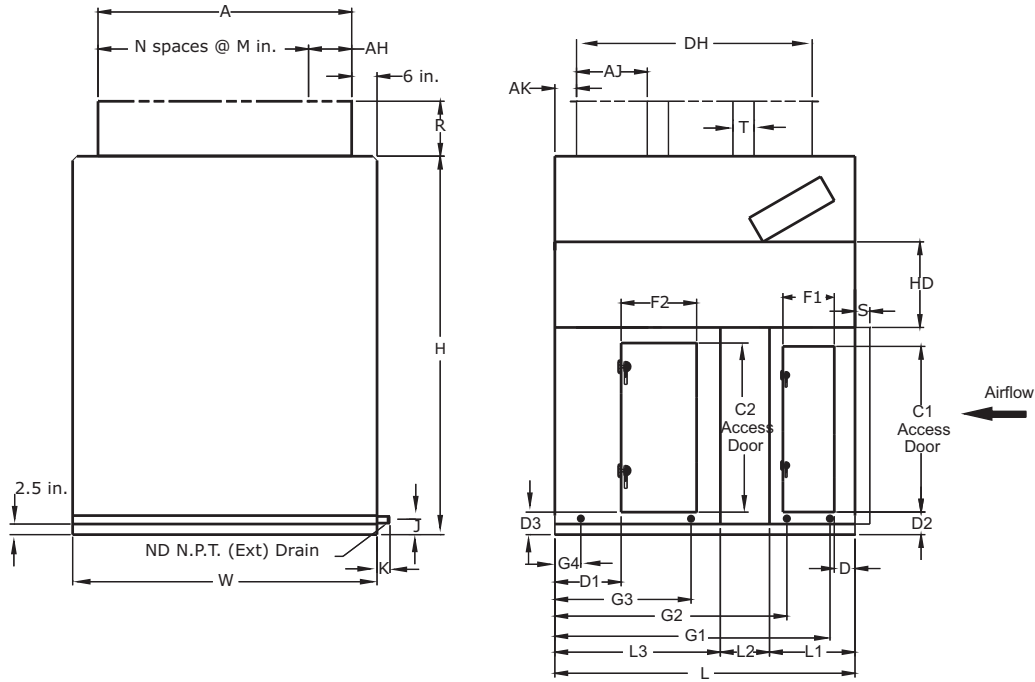


Figure 98. Multizone 3-deck vertical discharge with outward door

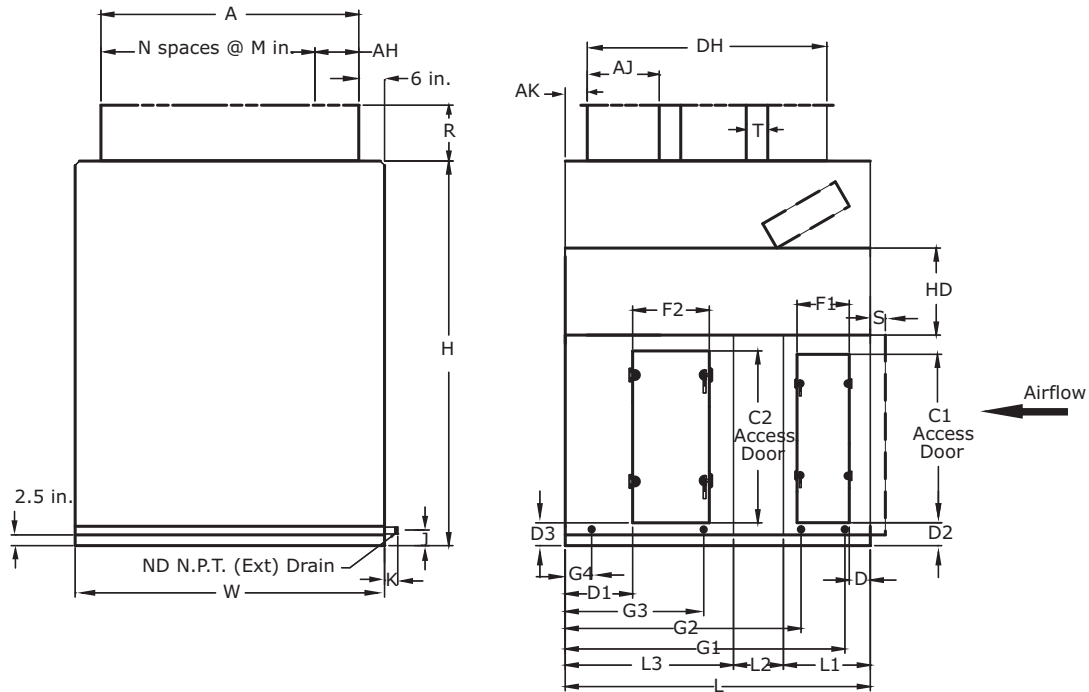


Table 153. Multizone 3-deck vertical discharge dimensions (inches)

Unit Size	W L H			Door upstream from coil								Door downstream from coil ¹							
				Inward swinging door ²				Outward swinging door ³				Inward swinging door ²				Outward swinging door ³			
				C1	F1	D	D2	C1	F1	D	D2	C2	F2	D1	D3	C2	F2	D1	D3
6	44.00	61.00	69.75	n/a	n/a	n/a	n/a	28.50	9.88	2.13	4.25	25.63	12.13	11.13	5.38	28.50	14.88	11.13	4.25
8	50.50	61.00	72.25	n/a	n/a	n/a	n/a	31.00	9.88	2.13	4.25	28.13	12.13	11.13	5.38	31.00	14.88	11.13	4.25
10	61.50	66.00	78.25	n/a	n/a	n/a	n/a	31.00	9.88	2.13	4.25	28.13	17.63	10.63	5.38	31.00	20.38	10.63	4.25
12	66.50	71.00	82.00	31.88	12.13	3.50	5.38	n/a	n/a	n/a	n/a	31.88	17.63	10.63	5.38	34.75	20.38	10.63	4.25
14	72.00	71.00	82.00	31.88	12.13	3.50	5.38	n/a	n/a	n/a	n/a	31.88	17.63	10.63	5.38	34.75	20.38	10.63	4.25
17	72.00	71.00	89.50	39.38	12.13	3.50	5.38	n/a	n/a	n/a	n/a	39.38	17.63	10.63	5.38	42.25	20.38	10.63	4.25
21	80.00	82.00	99.25	43.13	19.63	3.50	5.38	n/a	n/a	n/a	n/a	43.13	17.63	14.13	5.38	46.00	20.38	14.13	4.25
25	80.00	82.00	108.00	51.88	19.63	3.50	5.38	n/a	n/a	n/a	n/a	51.88	17.63	14.13	5.38	54.75	20.38	14.13	4.25
30	93.50	82.00	108.00	51.88	19.63	3.50	5.38	n/a	n/a	n/a	n/a	51.88	17.63	14.13	5.38	54.75	20.38	14.13	4.25
35	100.00	92.00	123.25	57.63	17.63	3.50	5.38	n/a	n/a	n/a	n/a	57.63	17.63	21.13	5.38	60.50	20.38	21.13	4.25
40	112.50	92.00	123.25	57.63	17.63	3.50	5.38	n/a	n/a	n/a	n/a	57.63	17.63	21.13	5.38	60.50	20.38	21.13	4.25
50	125.50	96.00	131.75	66.13	17.63	3.50	5.38	n/a	n/a	n/a	n/a	66.13	17.63	25.63	5.38	69.00	20.38	25.63	4.25

Table 154. Multizone 3-deck vertical discharge dimensions (inches)

Unit size	HD	AH		R		S	AK	DH	N		M		
		2 Actuators	1 Actuator	2 Actuators	1 Actuator				2 Actuators	1 Actuator	2 Actuators	1 Actuator	
6	17.25	8.00	6.50	12.25	13.00	6.00	1.00	3.63	46.75	4.00	6.00	6.00	4.25
8	17.25	8.50	4.50	12.25	13.00	6.00	1.00	3.63	46.75	5.00	8.00	6.00	4.25
10	20.25	7.50	7.00	15.25	13.00	6.00	1.00	3.63	55.75	7.00	10.00	6.00	4.25
12	20.25	6.50	7.75	15.25	13.00	6.00	1.00	3.63	55.75	8.00	11.00	6.00	4.25
14	20.25	6.00	4.75	15.25	13.00	6.00	1.00	3.63	55.75	9.00	13.00	6.00	4.25
17	20.25	6.00	4.75	15.25	13.00	6.00	1.00	3.63	55.75	9.00	13.00	6.00	4.25
21	23.25	8.00	4.25	18.25	13.00	6.00	1.00	3.63	64.75	10.00	15.00	6.00	4.25
25	23.25	8.00	4.25	18.25	13.00	6.00	1.00	3.63	64.75	10.00	15.00	6.00	4.25
30	23.25	9.50	5.00	18.25	13.00	6.00	1.00	3.63	64.75	12.00	18.00	6.00	4.25
35	28.00	10.00	7.25	22.50	13.00	6.00	1.00	4.50	78.50	13.00	19.00	6.00	4.25
40	28.00	10.50	7.00	22.50	13.00	6.00	1.00	4.50	78.50	15.00	22.00	6.00	4.25
50	28.00	11.50	7.25	22.50	13.00	6.00	1.00	4.50	78.50	17.00	25.00	6.00	4.25

Note: ¹ Door will be inward swinging unless the UV light option is selected. ² Dimensions are to the door opening. The handle will always be on the downstream side of the door. ³ Dimensions are to the outside of the door itself. The handle will always be on the side of the door closest to the coil.



Dimensions

Table 155. Multizone 3-deck vertical discharge dimensions (inches)

Unit size	A	L1	L2	L3	G1	G2	G3	G4	J	K	ND(NPT)	T
6	32.00	13.13	20.75	27.25	N/A	54.00	37.50	21.00	3.38	2.50	1.00	5.00
8	38.50	13.13	20.75	27.25	N/A	54.00	37.50	21.00	3.38	2.50	1.00	5.00
10	49.50	13.13	20.75	32.25	N/A	59.00	42.50	26.00	3.38	2.50	1.00	5.00
12	54.50	18.13	20.75	32.25	N/A	61.50	42.50	23.50	3.38	2.50	1.00	5.00
14	60.00	18.13	20.75	32.25	N/A	61.50	42.50	23.50	3.38	2.50	1.00	5.00
17	60.00	18.13	20.75	32.25	N/A	61.50	42.50	23.50	3.38	2.50	1.00	5.00
21	68.00	25.63	20.75	35.75	N/A	68.75	46.00	23.25	3.38	2.50	1.00	5.00
25	68.00	25.63	20.75	35.75	N/A	68.75	46.00	23.25	3.38	2.50	1.00	5.00
30	81.50	25.63	20.75	35.75	N/A	68.75	46.00	23.25	3.38	2.50	1.00	5.00
35	88.00	28.63	20.75	42.75	N/A	77.25	53.00	28.75	3.25	3.50	1.25	5.50
40	100.50	28.63	20.75	42.75	N/A	77.25	53.00	28.75	3.25	3.50	1.25	5.50
50	113.50	26.63	22.25	47.25	91.00	76.50	43.00	9.50	3.25	3.50	1.25	5.50

Table 156. Multizone 3-deck vertical discharge dimensions (inches)

Unit size	A	L1	L2	L3	G1	G2	G3	G4	J	K	ND(NPT)	T
6	32.00	13.13	20.75	27.25	n/a	54.00	37.50	21.00	3.38	2.50	1.00	5.00
8	38.50	13.13	20.75	27.25	n/a	54.00	37.50	21.00	3.38	2.50	1.00	5.00
10	49.50	13.13	20.75	32.25	n/a	59.00	42.50	26.00	3.38	2.50	1.00	5.00
12	54.50	18.13	20.75	32.25	n/a	61.50	42.50	23.50	3.38	2.50	1.00	5.00
14	60.00	18.13	20.75	32.25	n/a	61.50	42.50	23.50	3.38	2.50	1.00	5.00
17	60.00	18.13	20.75	32.25	n/a	61.50	42.50	23.50	3.38	2.50	1.00	5.00
21	68.00	25.63	20.75	35.75	n/a	68.75	46.00	23.25	3.38	2.50	1.00	5.00
25	68.00	25.63	20.75	35.75	n/a	68.75	46.00	23.25	3.38	2.50	1.00	5.00
30	81.50	25.63	20.75	35.75	n/a	68.75	46.00	23.25	3.38	2.50	1.00	5.00
35	88.00	28.63	20.75	42.75	n/a	77.25	53.00	28.75	3.25	3.50	1.25	5.50
40	100.50	28.63	20.75	42.75	n/a	77.25	53.00	28.75	3.25	3.50	1.25	5.50
50	113.50	26.63	22.25	47.25	91.00	76.50	43.00	9.50	3.25	3.50	1.25	5.50

Figure 99. Multizone 3-deck horizontal discharge with inward door

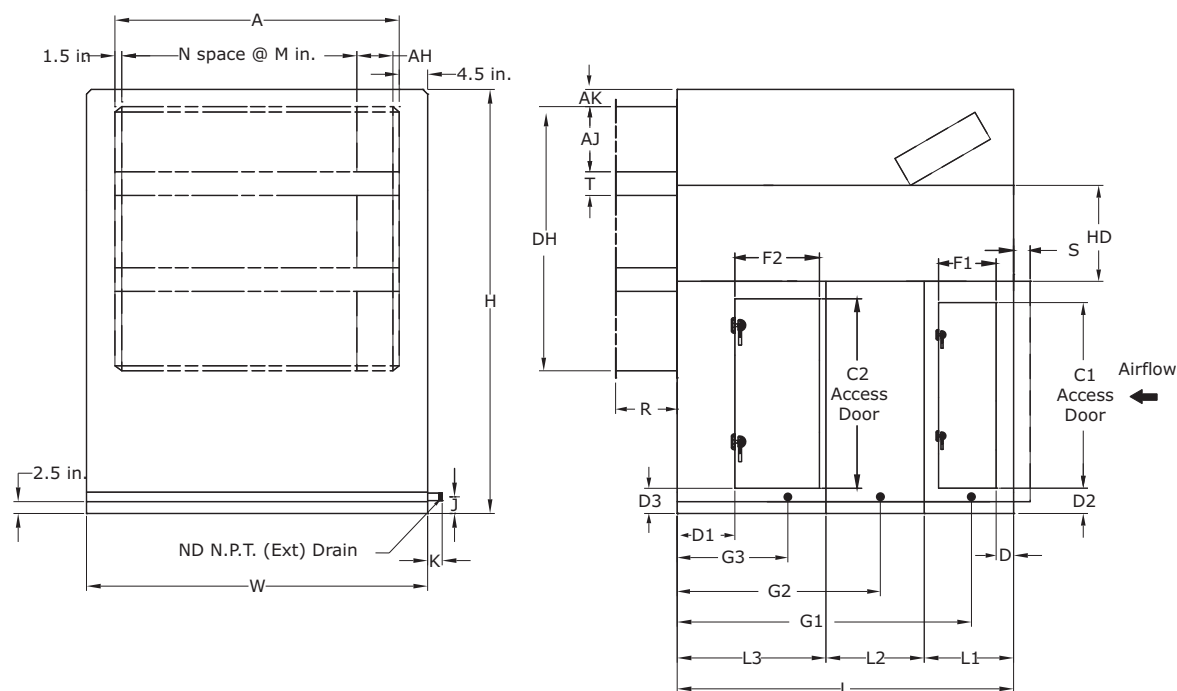
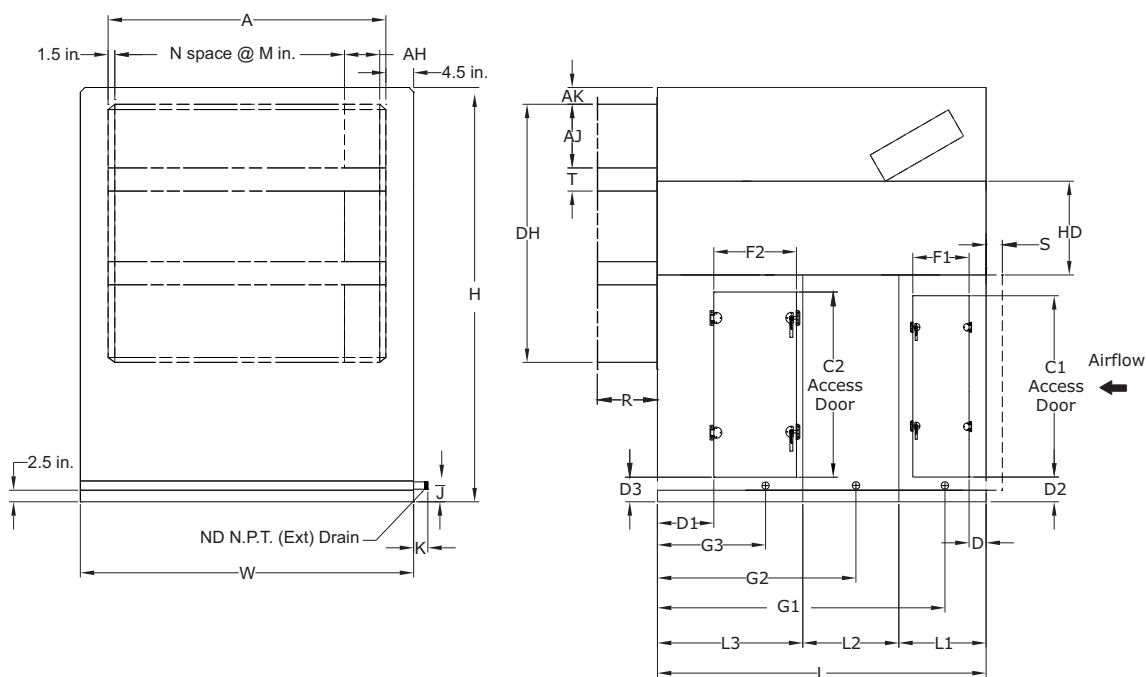


Figure 100. Multizone 3-deck horizontal discharge with outward door





Dimensions

Table 157. Multizone 3-deck horizontal discharge dimensions (inches)

Unit size	Door upstream from coil												Door downstream from coil ¹							
	W	L	H	Inward swinging door ²				Outward swinging door ³				Inward swinging door ²				Outward swinging door ³				
				C1	F1	D	D2	C1	F1	D	D2	C2	F2	D1	D3	C2	F2	D1	D3	
6	44.00	52.00	69.75	n/a	n/a	n/a	n/a	28.50	9.88	2.13	4.25	n/a	n/a	n/a	n/a	28.50	14.00	3.13	4.25	
8	50.50	52.00	72.25	n/a	n/a	n/a	n/a	31.00	9.88	2.13	4.25	n/a	n/a	n/a	n/a	31.00	14.00	3.13	4.25	
10	61.50	52.00	78.25	n/a	n/a	n/a	n/a	31.00	9.88	2.13	4.25	n/a	n/a	n/a	n/a	31.00	14.00	3.13	4.25	
12	66.50	57.00	82.00	31.88	12.13	3.50	5.38	n/a	n/a	n/a	n/a	n/a	n/a	n/a	n/a	34.75	14.00	3.13	4.25	
14	72.00	57.00	82.00	31.88	12.13	3.50	5.38	n/a	n/a	n/a	n/a	n/a	n/a	n/a	n/a	34.75	14.00	3.13	4.25	
17	72.00	57.00	89.50	39.38	12.13	3.50	5.38	n/a	n/a	n/a	n/a	n/a	n/a	n/a	n/a	42.25	14.00	3.13	4.25	
21	80.00	72.00	99.25	43.13	19.63	3.50	5.38	n/a	n/a	n/a	n/a	43.13	12.13	11.00	5.38	46.00	14.88	9.63	4.25	
25	80.00	72.00	108.00	51.88	19.63	3.50	5.38	n/a	n/a	n/a	n/a	51.88	12.13	11.00	5.38	54.75	14.88	9.63	4.25	
30	93.50	72.00	108.00	51.88	19.63	3.50	5.38	n/a	n/a	n/a	n/a	51.88	12.13	11.00	5.38	54.75	14.88	9.63	4.25	
35	100.00	78.00	123.25	57.63	17.63	3.50	5.38	n/a	n/a	n/a	n/a	57.63	12.13	14.00	5.38	60.50	14.88	12.63	4.25	
40	112.50	78.00	123.25	57.63	17.63	3.50	5.38	n/a	n/a	n/a	n/a	57.63	12.13	14.00	5.38	60.50	14.88	12.63	4.25	
50	125.50	78.00	131.75	66.13	17.63	3.50	5.38	n/a	n/a	n/a	n/a	66.13	12.13	14.50	5.38	69.00	14.88	13.13	4.25	

Table 158. Multizone 3-deck horizontal discharge dimensions (inches)

Unit size	HD	AH (2 Actuators)	AH (1 Actuator)	AJ	R (2 Actuators)	R (1 Actuator)	AK	DH	N (2 Actuators)	N (1 Actuator)	M (2 Actuators)	M (1 Actuator)
6	17.25	8.00	6.50	12.25	13.00	6.00	3.63	46.75	4.00	6.00	6.00	4.25
8	17.25	8.50	4.50	12.25	13.00	6.00	3.63	46.75	5.00	8.00	6.00	4.25
10	20.25	7.50	7.00	15.25	13.00	6.00	3.63	55.75	7.00	10.00	6.00	4.25
12	20.25	6.50	7.75	15.25	13.00	6.00	3.63	55.75	8.00	11.00	6.00	4.25
14	20.25	6.00	4.75	15.25	13.00	6.00	3.63	55.75	9.00	13.00	6.00	4.25
17	20.25	6.00	4.75	15.25	13.00	6.00	3.63	55.75	9.00	13.00	6.00	4.25
21	23.25	8.00	4.25	18.25	13.00	6.00	3.63	64.75	10.00	15.00	6.00	4.25
25	23.25	8.00	4.25	18.25	13.00	6.00	3.63	64.75	10.00	15.00	6.00	4.25
30	23.25	9.50	5.00	18.25	13.00	6.00	3.63	64.75	12.00	18.00	6.00	4.25
35	28.00	10.00	7.25	22.50	13.00	6.00	3.63	78.50	13.00	19.00	6.00	4.25
40	28.00	10.50	7.00	22.50	13.00	6.00	3.63	78.50	15.00	22.00	6.00	4.25
50	28.00	11.50	7.25	22.50	13.00	6.00	3.63	78.50	17.00	25.00	6.00	4.25

Note: ¹ Door will be inward swinging unless the UV light option is selected. ² Dimensions are to the door opening. The handle will always be on the downstream side of the door. ³ Dimensions are to the outside of the door itself. The handle will always be on the side of the door closest to the coil.

Table 159. Multizone 3-deck horizontal discharge dimensions (inches)

Unit size	A	L1	L2	L3	G1	G2	G3	J	K	ND(NPT)	T	S
6	35.00	13.13	20.75	18.25	45.00	28.50	9.50	3.38	2.50	1.00	5.00	1.00
8	41.50	13.13	20.75	18.25	45.00	28.50	9.50	3.38	2.50	1.00	5.00	1.00
10	52.50	13.13	20.75	18.25	45.00	28.50	9.50	3.38	2.50	1.00	5.00	1.00
12	57.50	18.13	20.75	18.25	47.50	28.50	9.50	3.38	2.50	1.00	5.00	1.00
14	63.00	18.13	20.75	18.25	47.50	28.50	9.50	3.38	2.50	1.00	5.00	1.00
17	63.00	18.13	20.75	18.25	47.50	28.50	9.50	3.38	2.50	1.00	5.00	1.00
21	71.00	25.63	20.75	25.75	58.75	36.00	13.25	3.38	2.50	1.00	5.00	1.00
25	71.00	25.63	20.75	25.75	58.75	36.00	13.25	3.38	2.50	1.00	5.00	1.00
30	84.50	25.63	20.75	25.75	58.75	36.00	13.25	3.38	2.50	1.00	5.00	1.00
35	91.00	28.63	20.75	28.75	63.25	39.00	14.75	3.25	3.50	1.25	5.50	1.00
40	100.50	28.63	20.75	28.75	63.25	39.00	14.75	3.25	3.50	1.25	5.50	1.00
50	116.50	26.63	22.25	29.25	63.25	39.00	14.75	3.25	3.50	1.25	5.50	1.00

Dimensions

Figure 101. Multizone double-duct vertical discharge with inward door

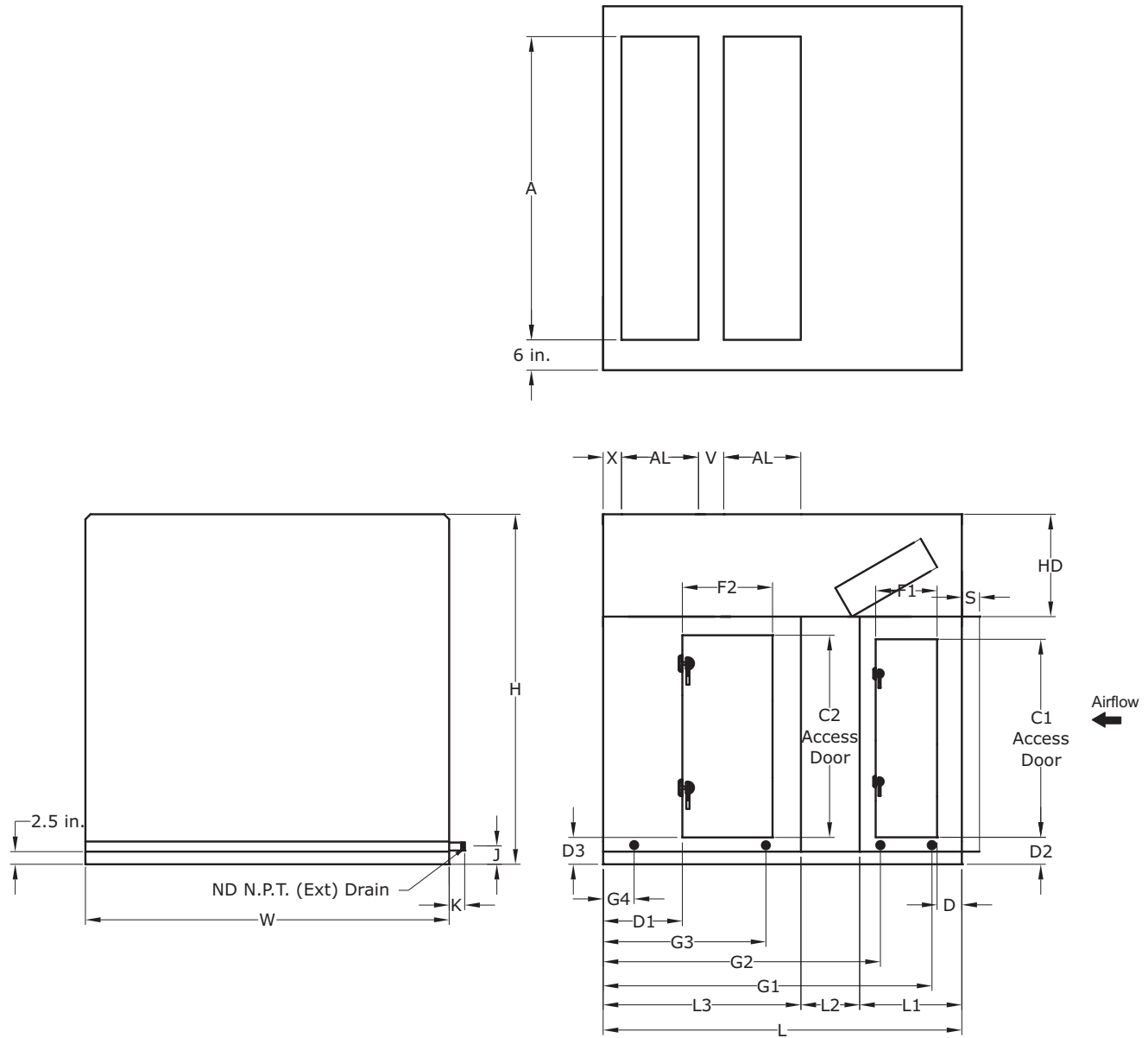
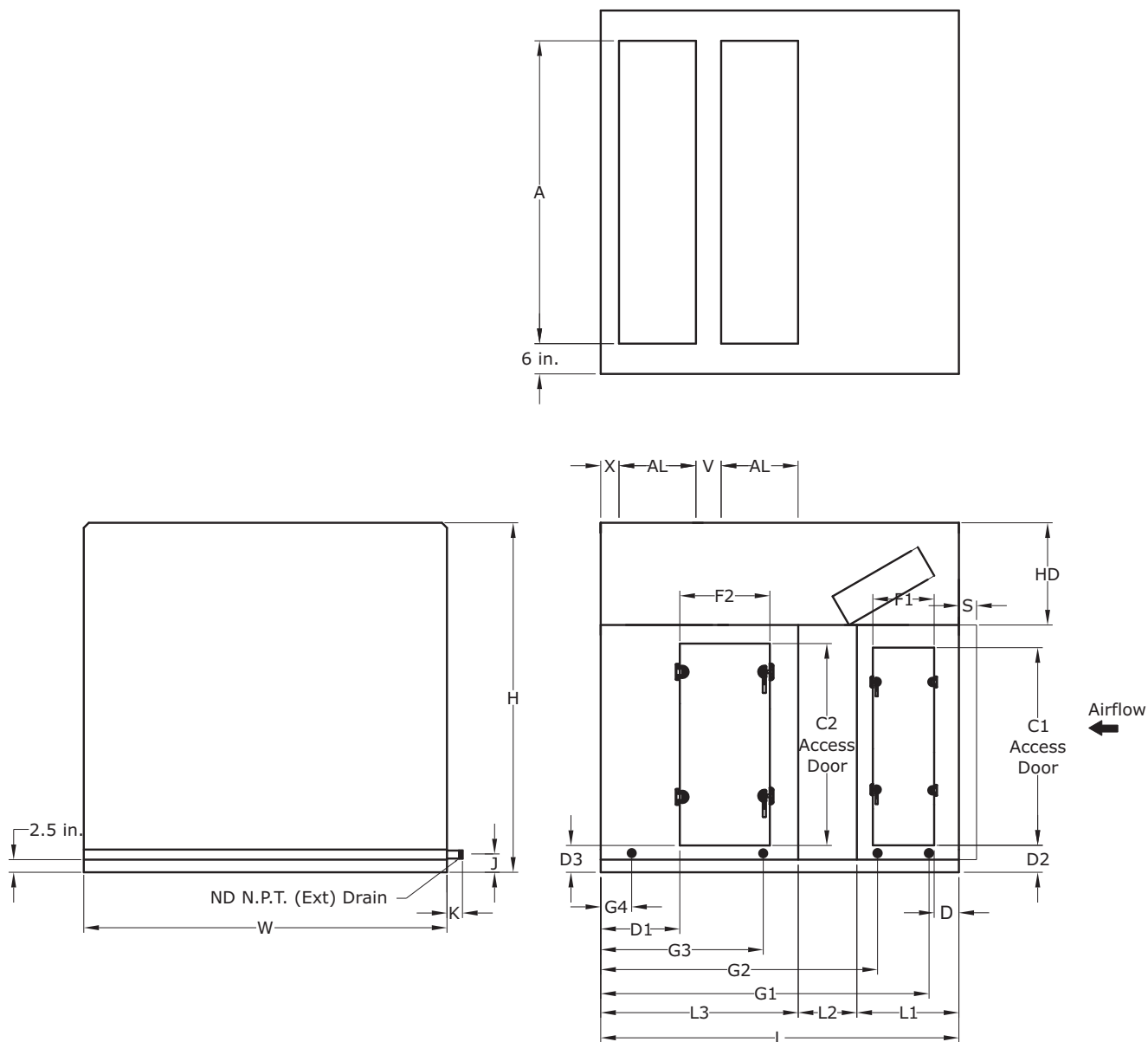


Figure 102. Multizone double-duct vertical discharge with outward door





Dimensions

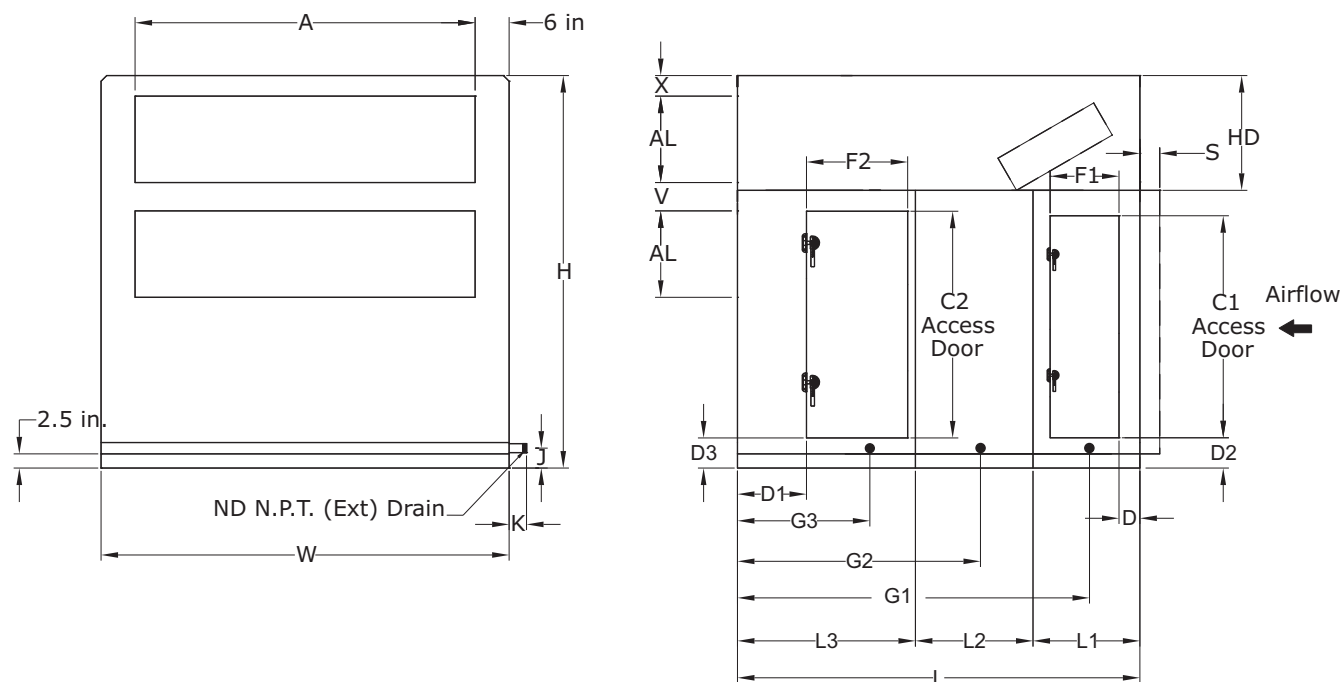
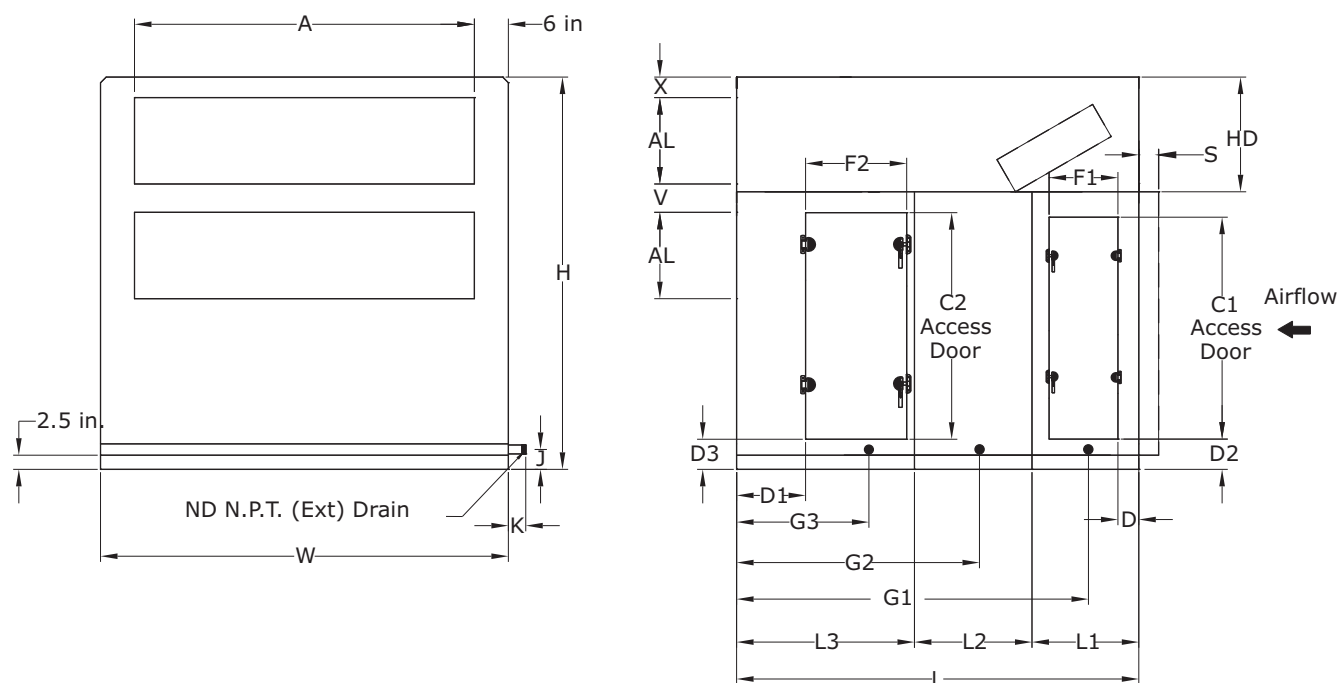
Table 160. Multizone double-duct vertical discharge dimensions (inches)

Unit size	Door upstream from coil				Door downstream from coil ¹														
	W	L	H	Inward swinging door ²				Outward swinging door ³				Inward swinging door ²				Outward swinging door ³			
				C1	F1	D	D2	C1	F1	D	D2	C2	F2	D1	D3	C2	F2	D1	D3
6	44.00	61.00	52.50	n/a	n/a	n/a	n/a	28.50	9.88	2.13	4.25	25.63	12.13	11.13	5.38	28.50	14.88	11.13	4.25
8	50.50	61.00	55.00	n/a	n/a	n/a	n/a	31.00	9.88	2.13	4.25	28.13	12.13	11.13	5.38	31.00	14.88	11.13	4.25
10	61.50	66.00	58.00	n/a	n/a	n/a	n/a	31.00	9.88	2.13	4.25	28.13	17.63	10.63	5.38	31.00	20.38	10.63	4.25
12	66.50	71.00	61.75	31.88	12.13	3.50	5.38	n/a	n/a	n/a	n/a	31.88	17.63	10.63	5.38	34.75	20.38	10.63	4.25
14	72.00	71.00	61.75	31.88	12.13	3.50	5.38	n/a	n/a	n/a	n/a	31.88	17.63	10.63	5.38	34.75	20.38	10.63	4.25
17	72.00	71.00	69.25	39.38	12.13	3.50	5.38	n/a	n/a	n/a	n/a	39.38	17.63	10.63	5.38	42.25	20.38	10.63	4.25
21	80.00	82.00	76.00	43.13	19.63	3.50	5.38	n/a	n/a	n/a	n/a	43.13	17.63	14.13	5.38	46.00	20.38	14.13	4.25
25	80.00	82.00	84.75	51.88	19.63	3.50	5.38	n/a	n/a	n/a	n/a	51.88	17.63	14.13	5.38	54.75	20.38	14.13	4.25
30	93.50	82.00	84.75	51.88	19.63	3.50	5.38	n/a	n/a	n/a	n/a	51.88	17.63	14.13	5.38	54.75	20.38	14.13	4.25
35	100.00	92.00	95.25	57.63	17.63	3.50	5.38	n/a	n/a	n/a	n/a	57.63	17.63	21.13	5.38	60.50	20.38	21.13	4.25
40	112.50	92.00	95.25	57.63	17.63	3.50	5.38	n/a	n/a	n/a	n/a	57.63	17.63	21.13	5.38	60.50	20.38	21.13	4.25
50	125.50	96.00	103.75	66.13	17.63	3.50	5.38	n/a	n/a	n/a	n/a	66.13	17.63	25.63	5.38	69.00	20.38	25.63	4.25

Table 161. Multizone double-duct vertical discharge dimensions (inches)

Unit size	HD	X	AL	V	A	L1	L2	L3	G1	G2	G3	G4	J	K	ND (NPT)	S
6	17.25	3.63	12.25	5.00	32.00	13.13	20.75	27.25	n/a	54.00	37.50	21.00	3.38	2.50	1.00	1.00
8	17.25	3.63	12.25	5.00	38.50	13.13	20.75	27.25	n/a	54.00	37.50	21.00	3.38	2.50	1.00	1.00
10	20.25	3.63	15.25	5.00	49.50	13.13	20.75	32.25	n/a	59.00	42.50	26.00	3.38	2.50	1.00	1.00
12	20.25	3.63	15.25	5.00	54.50	18.13	20.75	32.25	n/a	61.50	42.50	23.50	3.38	2.50	1.00	1.00
14	20.25	3.63	15.25	5.00	60.00	18.13	20.75	32.25	n/a	61.50	42.50	23.50	3.38	2.50	1.00	1.00
17	20.25	3.63	15.25	5.00	60.00	18.13	20.75	32.25	n/a	61.50	42.50	23.50	3.38	2.50	1.00	1.00
21	23.25	3.63	18.25	5.00	68.00	25.63	20.75	35.75	n/a	68.75	46.00	23.25	3.38	2.50	1.00	1.00
25	23.25	3.63	18.25	5.00	68.00	25.63	20.75	35.75	n/a	68.75	46.00	23.25	3.38	2.50	1.00	1.00
30	23.25	3.63	18.25	5.00	81.50	25.63	20.75	35.75	n/a	68.75	46.00	23.25	3.38	2.50	1.00	1.00
35	28.00	4.50	22.50	5.50	88.00	28.63	20.75	42.75	n/a	77.25	53.00	28.75	3.25	3.50	1.25	1.00
40	28.00	4.50	22.50	5.50	100.50	28.63	20.75	42.75	n/a	77.25	53.00	28.75	3.25	3.50	1.25	1.00
50	28.00	4.50	22.50	5.50	113.50	26.63	22.25	47.25	91.00	76.50	43.00	9.50	3.25	3.50	1.25	1.00

Note: ¹ Door will be inward swinging unless the UV light option is selected. ² Dimensions are to the door opening. The handle will always be on the downstream side of the door. ³ Dimensions are to the outside of the door itself. The handle will always be on the side of the door closest to the coil.

Figure 103. Multizone double-duct horizontal discharge with inward door

Figure 104. Multizone double-duct horizontal discharge with outward door




Dimensions

Table 162. Multizone double-duct horizontal discharge dimensions (inches)

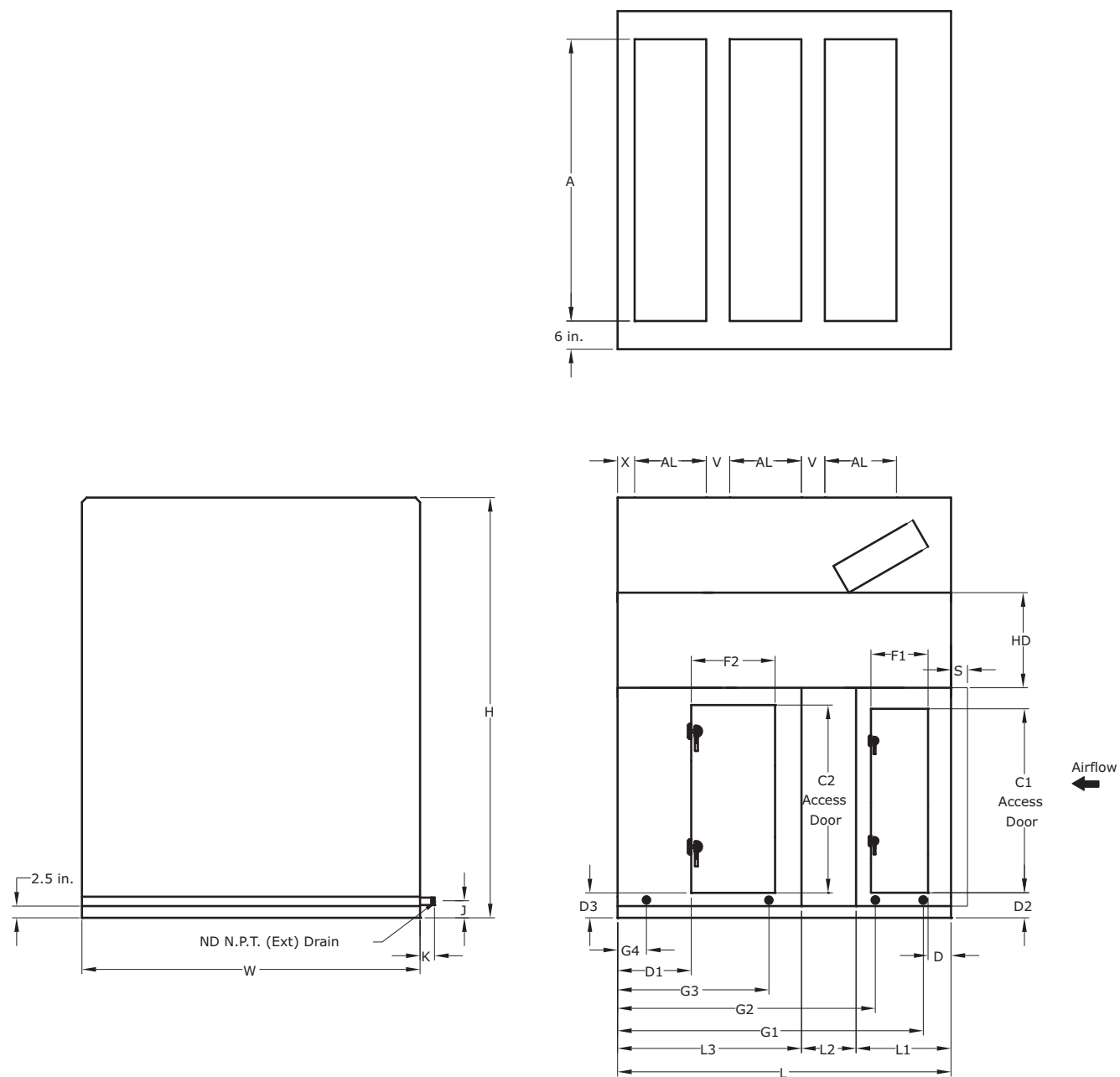
Unit Size	W L H			Door upstream from coil								Door downstream from coil ¹							
				Inward swinging door ²				Outward swinging door ³				Inward swinging door ²				Outward swinging door ³			
				C1	F1	D	D2	C1	F1	D	D2	C2	F2	D1	D3	C2	F2	D1	D3
6	44.00	52.00	52.50	n/a	n/a	n/a	n/a	28.50	9.88	2.13	4.25	n/a	n/a	n/a	n/a	28.50	14.00	3.13	4.25
8	50.50	52.00	55.00	n/a	n/a	n/a	n/a	31.00	9.88	2.13	4.25	n/a	n/a	n/a	n/a	31.00	14.00	3.13	4.25
10	61.50	52.00	58.00	n/a	n/a	n/a	n/a	31.00	9.88	2.13	4.25	n/a	n/a	n/a	n/a	31.00	14.00	3.13	4.25
12	66.50	57.00	61.75	31.88	12.13	3.50	5.38	n/a	n/a	n/a	n/a	n/a	n/a	n/a	n/a	34.75	14.00	3.13	4.25
14	72.00	57.00	61.75	31.88	12.13	3.50	5.38	n/a	n/a	n/a	n/a	n/a	n/a	n/a	n/a	34.75	14.00	3.13	4.25
17	72.00	57.00	69.25	39.38	12.13	3.50	5.38	n/a	n/a	n/a	n/a	n/a	n/a	n/a	n/a	42.25	14.00	3.13	4.25
21	80.00	72.00	76.00	43.13	19.63	3.50	5.38	n/a	n/a	n/a	n/a	43.13	12.13	11.00	5.38	46.00	14.88	9.63	4.25
25	80.00	72.00	84.75	51.88	19.63	3.50	5.38	n/a	n/a	n/a	n/a	51.88	12.13	11.00	5.38	54.75	14.88	9.63	4.25
30	93.50	72.00	84.75	51.88	19.63	3.50	5.38	n/a	n/a	n/a	n/a	51.88	12.13	11.00	5.38	54.75	14.88	9.63	4.25
35	100.00	78.00	95.25	57.63	17.63	3.50	5.38	n/a	n/a	n/a	n/a	57.63	12.13	14.00	5.38	60.50	14.88	12.63	4.25
40	112.50	78.00	95.25	57.63	17.63	3.50	5.38	n/a	n/a	n/a	n/a	57.63	12.13	14.00	5.38	60.50	14.88	12.63	4.25
50	125.50	78.00	103.75	66.13	17.63	3.50	5.38	n/a	n/a	n/a	n/a	66.13	12.13	14.50	5.38	69.00	14.88	13.13	4.25

Table 163. Multizone double-duct horizontal discharge dimensions (inches)

Unit size	HD	X	V	AL	A	L1	L2	L3	G1	G2	G3	J	K	ND(NPT)	S
6	17.25	3.63	5.00	12.25	32.00	13.13	20.75	18.25	45.00	28.50	9.50	3.38	2.50	1.00	1.00
8	17.25	3.63	5.00	12.25	38.50	13.13	20.75	18.25	45.00	28.50	9.50	3.38	2.50	1.00	1.00
10	20.25	3.63	5.00	15.25	49.50	13.13	20.75	18.25	45.00	28.50	9.50	3.38	2.50	1.00	1.00
12	20.25	3.63	5.00	15.25	54.50	18.13	20.75	18.25	47.50	28.50	9.50	3.38	2.50	1.00	1.00
14	20.25	3.63	5.00	15.25	60.00	18.13	20.75	18.25	47.50	28.50	9.50	3.38	2.50	1.00	1.00
17	20.25	3.63	5.00	15.25	60.00	18.13	20.75	18.25	47.50	28.50	9.50	3.38	2.50	1.00	1.00
21	23.25	3.63	5.00	18.25	68.00	25.63	20.75	25.75	58.75	36.00	13.25	3.38	2.50	1.00	1.00
25	23.25	3.63	5.00	18.25	68.00	25.63	20.75	25.75	58.75	36.00	13.25	3.38	2.50	1.00	1.00
30	23.25	3.63	5.00	18.25	81.50	25.63	20.75	25.75	58.75	36.00	13.25	3.38	2.50	1.00	1.00
35	28.00	3.63	5.50	22.50	88.00	28.63	20.75	28.75	63.25	39.00	14.75	3.25	3.50	1.25	1.00
40	28.00	3.63	5.50	22.50	100.50	28.63	20.75	28.75	63.25	39.00	14.75	3.25	3.50	1.25	1.00
50	28.00	3.63	5.50	22.50	113.50	26.63	22.25	29.25	63.25	39.00	14.75	3.25	3.50	1.25	1.00

Note: ¹ Door will be inward swinging unless the UV light option is selected. ² Dimensions are to the door opening. The handle will always be on the downstream side of the door. ³ Dimensions are to the outside of the door itself. The handle will always be on the side of the door closest to the coil.

Figure 105. Multizone triple-duct vertical discharge with inward door



Dimensions

Figure 106. Multizone triple-duct vertical discharge with outward door

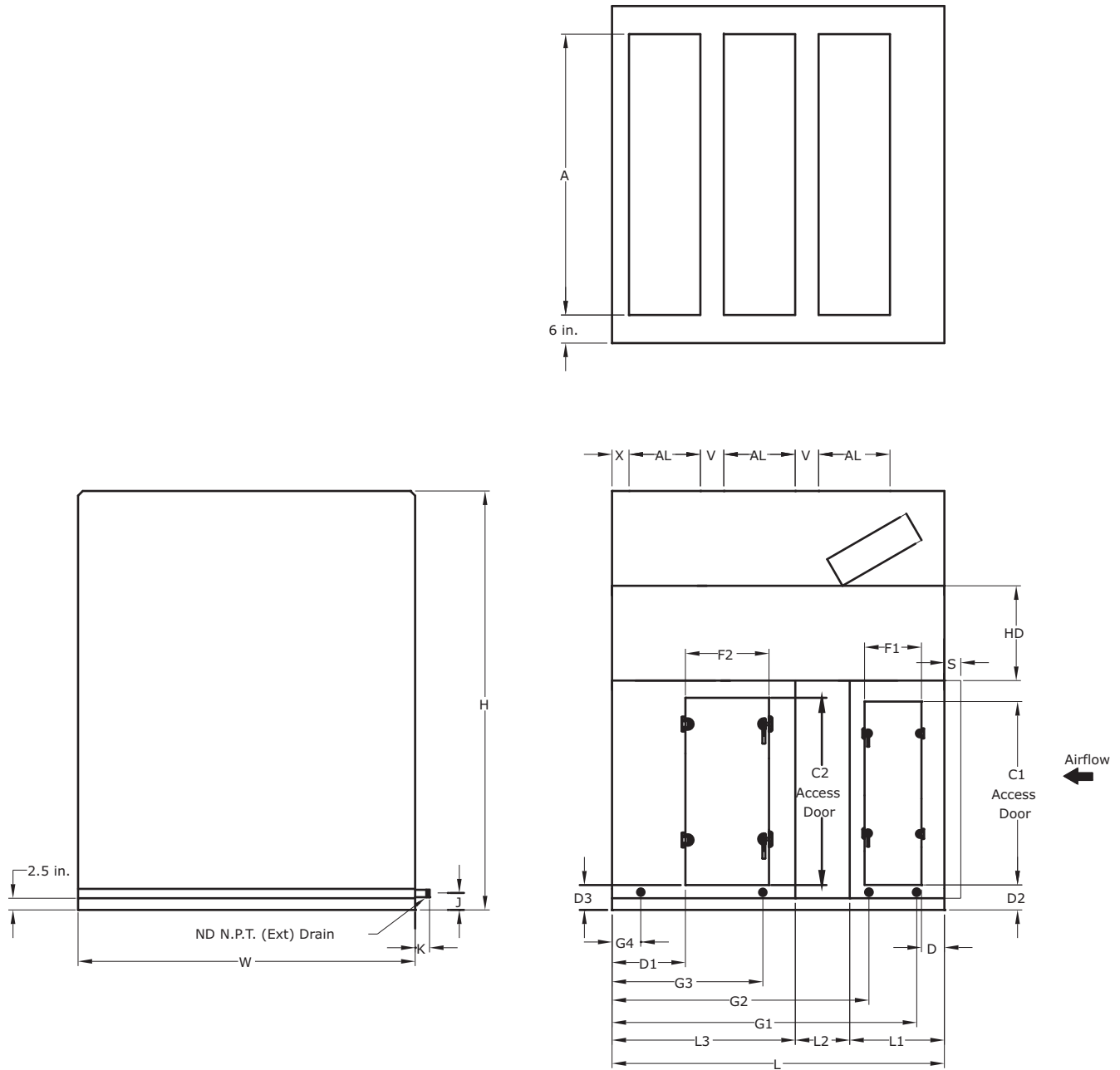


Table 164. Multizone triple-duct vertical dimensions (inches)

Unit size	W L H			Door upstream from coil								Door downstream from coil ¹							
				Inward swinging door ²				Outward swinging door ³				Inward swinging door ²				Outward swinging door ³			
				C1	F1	D	D2	C1	F1	D	D2	C2	F2	D1	D3	C2	F2	D1	D3
6	44.00	61.00	69.75	n/a	n/a	n/a	n/a	28.50	9.88	2.13	4.25	25.63	12.13	11.13	5.38	28.50	14.88	11.13	4.25
8	50.50	61.00	72.25	n/a	n/a	n/a	n/a	31.00	9.88	2.13	4.25	28.13	12.13	11.13	5.38	31.00	14.88	11.13	4.25
10	61.50	66.00	78.25	n/a	n/a	n/a	n/a	31.00	9.88	2.13	4.25	28.13	17.63	10.63	5.38	31.00	20.38	10.63	4.25
12	66.50	71.00	82.00	31.88	12.13	3.50	5.38	n/a	n/a	n/a	n/a	31.88	17.63	10.63	5.38	34.75	20.38	10.63	4.25
14	72.00	71.00	82.00	31.88	12.13	3.50	5.38	n/a	n/a	n/a	n/a	31.88	17.63	10.63	5.38	34.75	20.38	10.63	4.25
17	72.00	71.00	89.50	39.38	12.13	3.50	5.38	n/a	n/a	n/a	n/a	39.38	17.63	10.63	5.38	42.25	20.38	10.63	4.25
21	80.00	82.00	99.25	43.13	19.63	3.50	5.38	n/a	n/a	n/a	n/a	43.13	17.63	14.13	5.38	46.00	20.38	14.13	4.25
25	80.00	82.00	108.00	51.88	19.63	3.50	5.38	n/a	n/a	n/a	n/a	51.88	17.63	14.13	5.38	54.75	20.38	14.13	4.25
30	93.50	82.00	108.00	51.88	19.63	3.50	5.38	n/a	n/a	n/a	n/a	51.88	17.63	14.13	5.38	54.75	20.38	14.13	4.25
35	100.00	92.00	123.25	57.63	17.63	3.50	5.38	n/a	n/a	n/a	n/a	57.63	17.63	21.13	5.38	60.50	20.38	21.13	4.25
40	112.50	92.00	123.25	57.63	17.63	3.50	5.38	n/a	n/a	n/a	n/a	57.63	17.63	21.13	5.38	60.50	20.38	21.13	4.25
50	125.50	96.00	131.75	66.13	17.63	3.50	5.38	n/a	n/a	n/a	n/a	66.13	17.63	25.63	5.38	69.00	20.38	25.63	4.25

Table 165. Multizone triple-duct vertical dimensions (inches)

Unit size	HD	S	A	L1	L2	L3	G1	G2	G3	G4	J	K	ND (NPT)	X	AL	V
6	17.25	3.63	32.00	13.13	20.75	27.25	n/a	54.00	37.50	21.00	3.38	2.50	1.00	3.63	12.25	5.00
8	17.25	3.63	38.50	13.13	20.75	27.25	n/a	54.00	37.50	21.00	3.38	2.50	1.00	3.63	12.25	5.00
10	20.25	3.63	49.50	13.13	20.75	32.25	n/a	59.00	42.50	26.00	3.38	2.50	1.00	3.63	15.25	5.00
12	20.25	3.63	54.50	18.13	20.75	32.25	n/a	61.50	42.50	23.50	3.38	2.50	1.00	3.63	15.25	5.00
14	20.25	3.63	60.00	18.13	20.75	32.25	n/a	61.50	42.50	23.50	3.38	2.50	1.00	3.63	15.25	5.00
17	20.25	3.63	60.00	18.13	20.75	32.25	n/a	61.50	42.50	23.50	3.38	2.50	1.00	3.63	15.25	5.00
21	23.25	3.63	68.00	25.63	20.75	35.75	n/a	68.75	46.00	23.25	3.38	2.50	1.00	3.63	18.25	5.00
25	23.25	3.63	68.00	25.63	20.75	35.75	n/a	68.75	46.00	23.25	3.38	2.50	1.00	3.63	18.25	5.00
30	23.25	3.63	81.50	25.63	20.75	35.75	n/a	68.75	46.00	23.25	3.38	2.50	1.00	3.63	18.25	5.00
35	28.00	4.50	88.00	28.63	20.75	42.75	n/a	77.25	53.00	28.75	3.25	3.50	1.25	4.50	22.50	5.50
40	28.00	4.50	100.50	28.63	20.75	42.75	n/a	77.25	53.00	28.75	3.25	3.50	1.25	4.50	22.50	5.50
50	28.00	4.50	113.50	26.63	22.25	47.25	91.00	76.50	43.00	9.50	3.25	3.50	1.25	4.50	22.50	5.50

Note: ¹ Door will be inward swinging unless the UV light option is selected. ² Dimensions are to the door opening. The handle will always be on the downstream side of the door. ³ Dimensions are to the outside of the door itself. The handle will always be on the side of the door closest to the coil.

Dimensions

Figure 107. Multizone triple-duct horizontal discharge with inward door

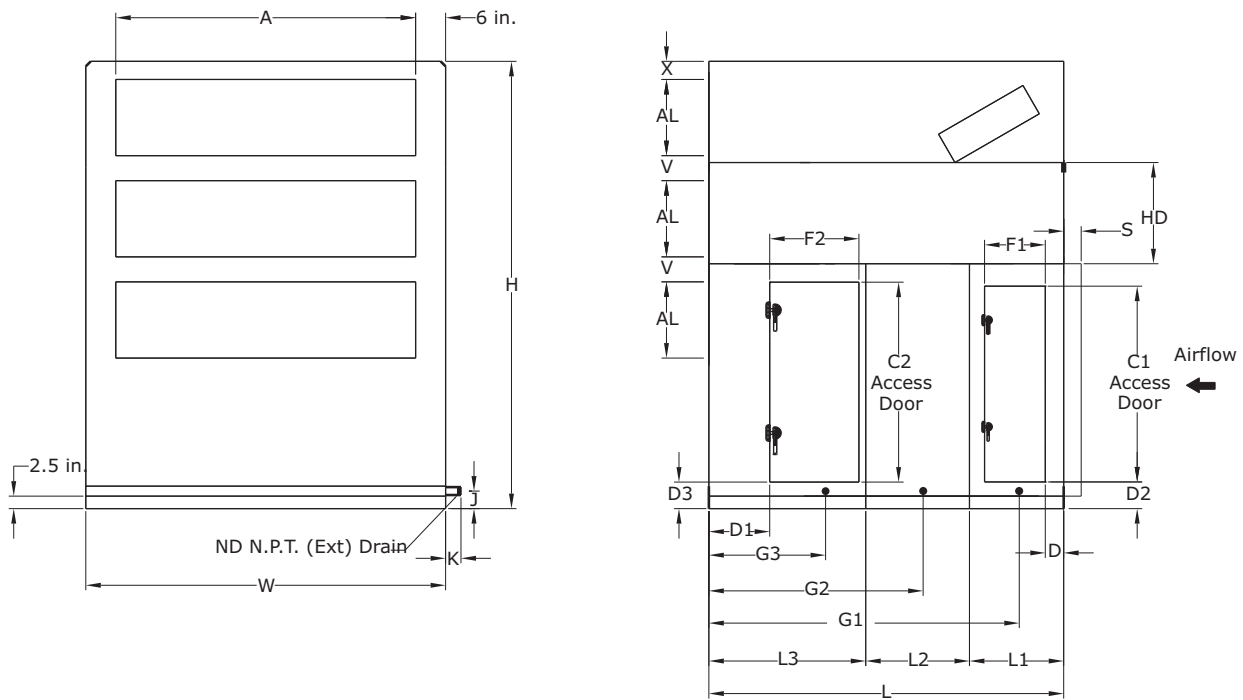


Figure 108. Multizone triple-duct horizontal discharge with outward door

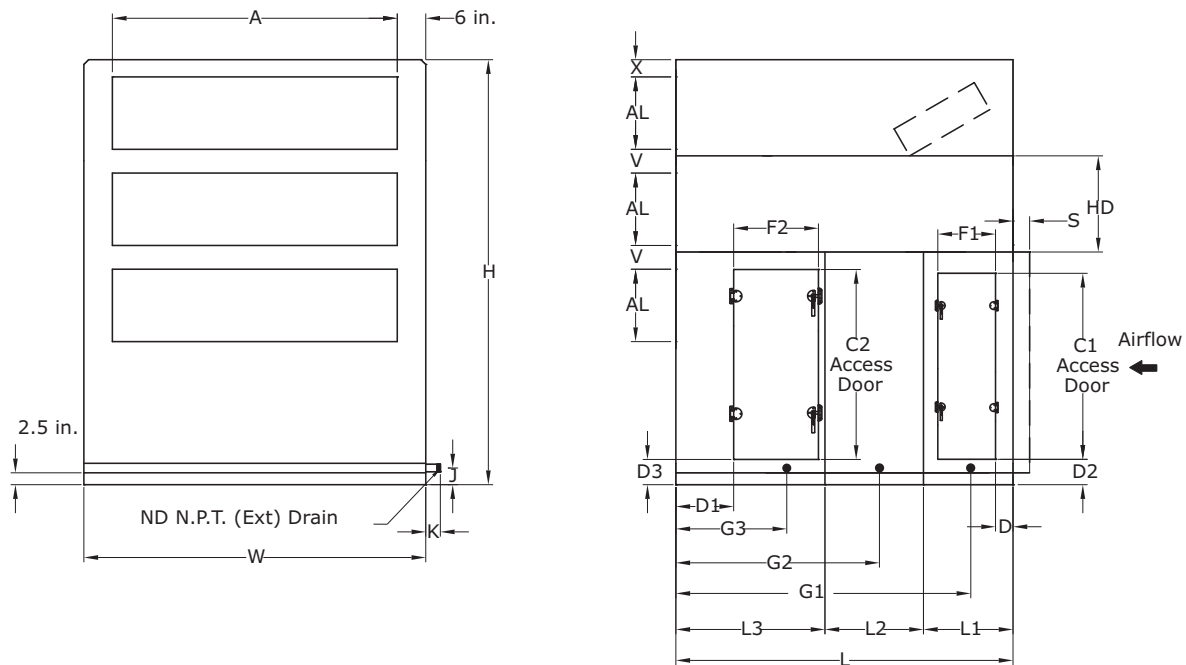


Table 166. Multizone triple-duct horizontal dimensions (inches)

Unit size	W	L	H	Door upstream from coil								Door downstream from coil ¹							
				Inward swinging door ²				Outward swinging door ³				Inward swinging door ²				Outward swinging door ³			
				C1	F1	D	D2	C1	F1	D	D2	C2	F2	D1	D3	C2	F2	D1	D3
6	44.00	52.00	69.75	n/a	n/a	n/a	n/a	28.50	9.88	2.13	4.25	n/a	n/a	n/a	n/a	28.50	14.00	3.13	4.25
8	50.50	52.00	72.25	n/a	n/a	n/a	n/a	31.00	9.88	2.13	4.25	n/a	n/a	n/a	n/a	31.00	14.00	3.13	4.25
10	61.50	52.00	78.25	n/a	n/a	n/a	n/a	31.00	9.88	2.13	4.25	n/a	n/a	n/a	n/a	31.00	14.00	3.13	4.25
12	66.50	57.00	82.00	31.88	12.13	3.50	5.38	n/a	n/a	n/a	n/a	n/a	n/a	n/a	n/a	34.75	14.00	3.13	4.25
14	72.00	57.00	82.00	31.88	12.13	3.50	5.38	n/a	n/a	n/a	n/a	n/a	n/a	n/a	n/a	34.75	14.00	3.13	4.25
17	72.00	57.00	89.50	39.38	12.13	3.50	5.38	n/a	n/a	n/a	n/a	n/a	n/a	n/a	n/a	42.25	14.00	3.13	4.25
21	80.00	72.00	99.25	43.13	19.63	3.50	5.38	n/a	n/a	n/a	n/a	43.13	12.13	11.00	5.38	46.00	14.88	9.63	4.25
25	80.00	72.00	108.00	51.88	19.63	3.50	5.38	n/a	n/a	n/a	n/a	51.88	12.13	11.00	5.38	54.75	14.88	9.63	4.25
30	93.50	72.00	108.00	51.88	19.63	3.50	5.38	n/a	n/a	n/a	n/a	51.88	12.13	11.00	5.38	54.75	14.88	9.63	4.25
35	100.00	78.00	123.25	57.63	17.63	3.50	5.38	n/a	n/a	n/a	n/a	57.63	12.13	14.00	5.38	60.50	14.88	12.63	4.25
40	112.50	78.00	123.25	57.63	17.63	3.50	5.38	n/a	n/a	n/a	n/a	57.63	12.13	14.00	5.38	60.50	14.88	12.63	4.25
50	125.50	78.00	131.75	66.13	17.63	3.50	5.38	n/a	n/a	n/a	n/a	66.13	12.13	14.50	5.38	69.00	14.88	13.13	4.25

Table 167. Multizone triple-duct horizontal dimensions (inches)

Unit size	HD	X	V	AL	A	L1	L2	L3	G1	G2	G3	J	K	ND (NPT)	S
6	17.25	3.63	5.00	12.25	32.00	13.13	20.75	18.25	45.00	28.50	9.50	3.38	2.50	1.00	1.00
8	17.25	3.63	5.00	12.25	38.50	13.13	20.75	18.25	45.00	28.50	9.50	3.38	2.50	1.00	1.00
10	20.25	3.63	5.00	15.25	49.50	13.13	20.75	18.25	45.00	28.50	9.50	3.38	2.50	1.00	1.00
12	20.25	3.63	5.00	15.25	54.50	18.13	20.75	18.25	47.50	28.50	9.50	3.38	2.50	1.00	1.00
14	20.25	3.63	5.00	15.25	60.00	18.13	20.75	18.25	47.50	28.50	9.50	3.38	2.50	1.00	1.00
17	20.25	3.63	5.00	15.25	60.00	18.13	20.75	18.25	47.50	28.50	9.50	3.38	2.50	1.00	1.00
21	23.25	3.63	5.00	18.25	68.00	25.63	20.75	25.75	58.75	36.00	13.25	3.38	2.50	1.00	1.00
25	23.25	3.63	5.00	18.25	68.00	25.63	20.75	25.75	58.75	36.00	13.25	3.38	2.50	1.00	1.00
30	23.25	3.63	5.00	18.25	81.50	25.63	20.75	25.75	58.75	36.00	13.25	3.38	2.50	1.00	1.00
35	28.00	3.63	5.50	22.50	88.00	28.63	20.75	28.75	63.25	39.00	14.75	3.25	3.50	1.25	1.00
40	28.00	3.63	5.50	22.50	100.50	28.63	20.75	28.75	63.25	39.00	14.75	3.25	3.50	1.25	1.00
50	28.00	3.63	5.50	22.50	113.50	26.63	22.25	29.25	63.25	39.00	14.75	3.25	3.50	1.25	1.00

Note: ¹ Door will be inward swinging unless the UV light option is selected. ² Dimensions are to the door opening. The handle will always be on the downstream side of the door. ³ Dimensions are to the outside of the door itself. The handle will always be on the side of the door closest to the coil.

Pipe Chase

Figure 109. Pipe chase

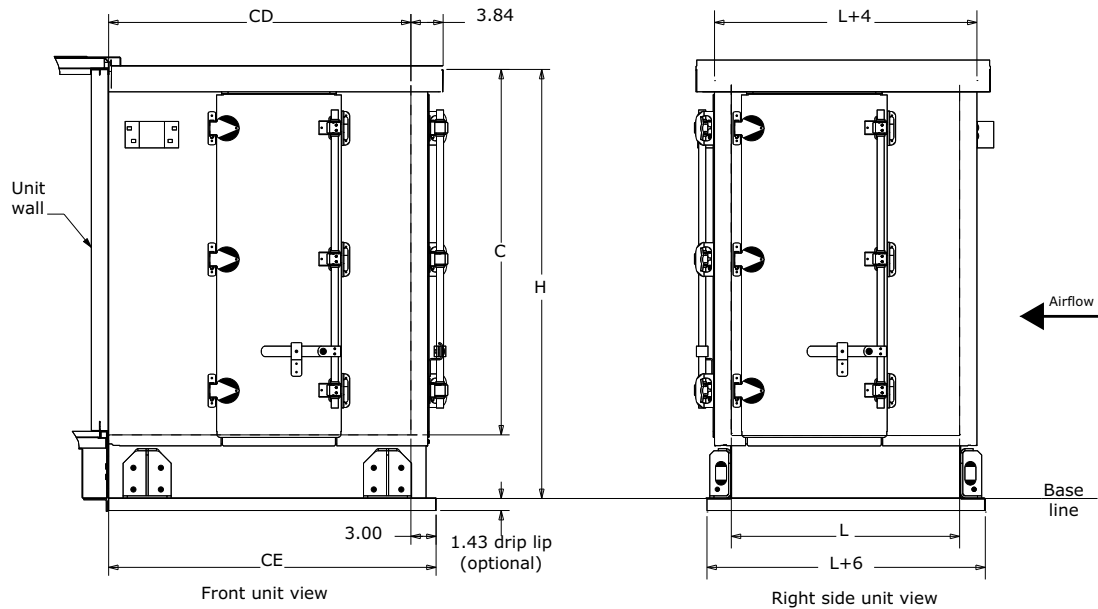


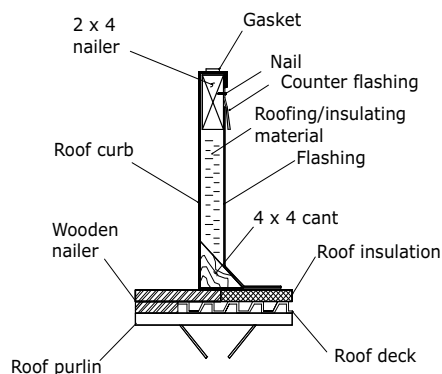
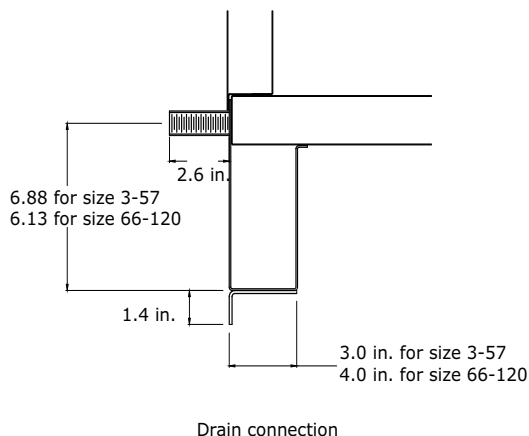
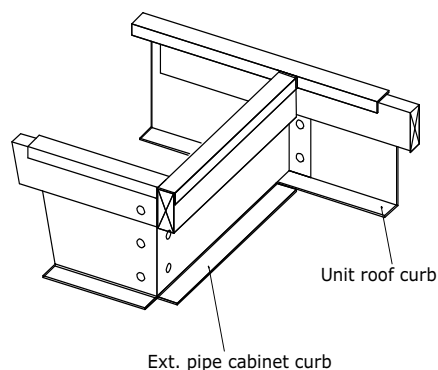
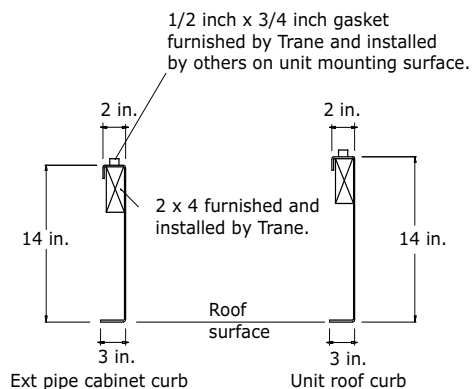
Table 168. Pipe chase dimensions

Unit Size	Internal unit height	Cabinet Depth - CD			Cabinet Depth - CE			C	H	L ¹
		24 in.	36 in.	48 in.	24 in.	36 in.	48 in.			
3	22.50	24.00	36.00	48.00	27.00	39.00	51.00	24.04	31.54	--
4	22.50	24.00	36.00	48.00	27.00	39.00	51.00	24.04	31.54	--
6	28.75	24.00	36.00	48.00	27.00	39.00	51.00	30.29	37.79	--
8	31.25	24.00	36.00	48.00	27.00	39.00	51.00	32.79	40.29	--
10	31.25	24.00	36.00	48.00	27.00	39.00	51.00	32.79	40.29	--
12	35.00	24.00	36.00	48.00	27.00	39.00	51.00	36.54	44.04	--
14	35.00	24.00	36.00	48.00	27.00	39.00	51.00	36.54	44.04	--
17	42.50	24.00	36.00	48.00	27.00	39.00	51.00	44.04	51.54	--
21	46.25	24.00	36.00	48.00	27.00	39.00	51.00	47.79	55.29	--
25	55.00	24.00	36.00	48.00	27.00	39.00	51.00	56.54	64.04	--
30	55.00	24.00	36.00	48.00	27.00	39.00	51.00	56.54	64.04	--
35	60.75	24.00	36.00	48.00	27.00	39.00	51.00	62.29	69.79	--
40	60.75	24.00	36.00	48.00	27.00	39.00	51.00	62.29	69.79	--
50	69.25	24.00	36.00	48.00	27.00	39.00	51.00	70.79	78.29	--
57	79.00	24.00	36.00	48.00	27.00	39.00	51.00	80.54	88.04	--
66	82.50	24.00	36.00	48.00	27.00	39.00	51.00	84.04	91.54	--
80	97.50	24.00	36.00	48.00	27.00	39.00	51.00	99.04	106.54	--
100	109.75	24.00	36.00	48.00	27.00	39.00	51.00	111.29	118.79	--
120	109.75	24.00	36.00	48.00	27.00	39.00	51.00	111.29	118.79	--

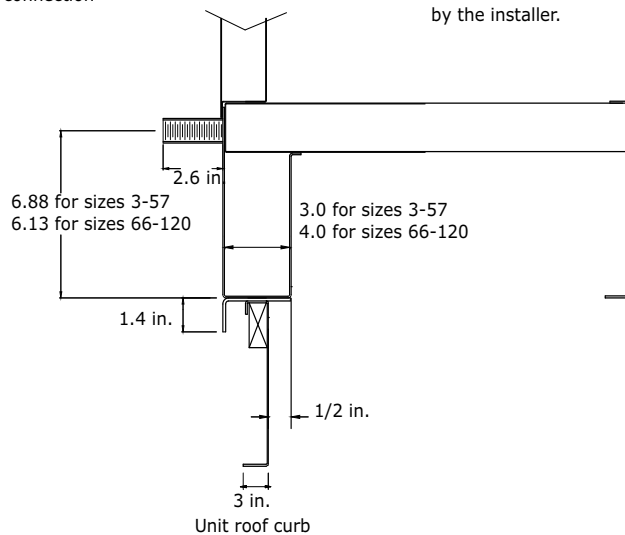
Note: ¹L = length of functional section or consecutive functional sections which have cabinets. Maximum L is 106.54 inches based on longest single piece outdoor roof panel.

Roof Curb

Figure 110. Roof curb details



Note: Materials to attach roof curb to roof are to be supplied by the installer.



Dimensions

Table 169. Roof dimensions (inches)

Unit size	Unit width (widest from lug to lug)	Roof height	Unit height	Unit height with roof curb drip lip (adds 0.13 inches)
3	38.31	2.20	37.20	37.33
4	50.81	2.33	37.33	37.45
6	50.81	2.33	43.58	43.70
8	57.31	2.33	46.08	46.20
10	68.31	2.33	46.08	46.20
12	73.31	2.70	50.20	50.33
14	78.81	2.70	50.20	50.33
17	78.81	2.70	57.70	57.83
21	86.81	2.70	61.45	61.58
25	86.81	2.70	70.20	70.33
30	100.31	2.70	70.20	70.33
35	106.81	2.70	75.95	76.08
40	119.31	2.70	75.95	76.08
50	132.31	3.58	85.33	85.45
57	132.31	3.58	95.08	95.20
66	147.31	3.58	102.08	102.20
80	147.31	3.58	117.08	117.20
100	161.31	3.58	129.33	129.45
120	188.81	3.58	129.33	129.45

Note: If the unit is installed on a roof curb, there is an additional 0.125 inches height from the drip lip. The unit roof length is equal to the total unit length plus 1.5 inches. Overhang on each end (unit length + 3 inches). Unit height includes 6 inch base rail height. Unit width is the external unit width + the lug dimensions (6.806 inches).

Silencers

Figure 111. Silencers

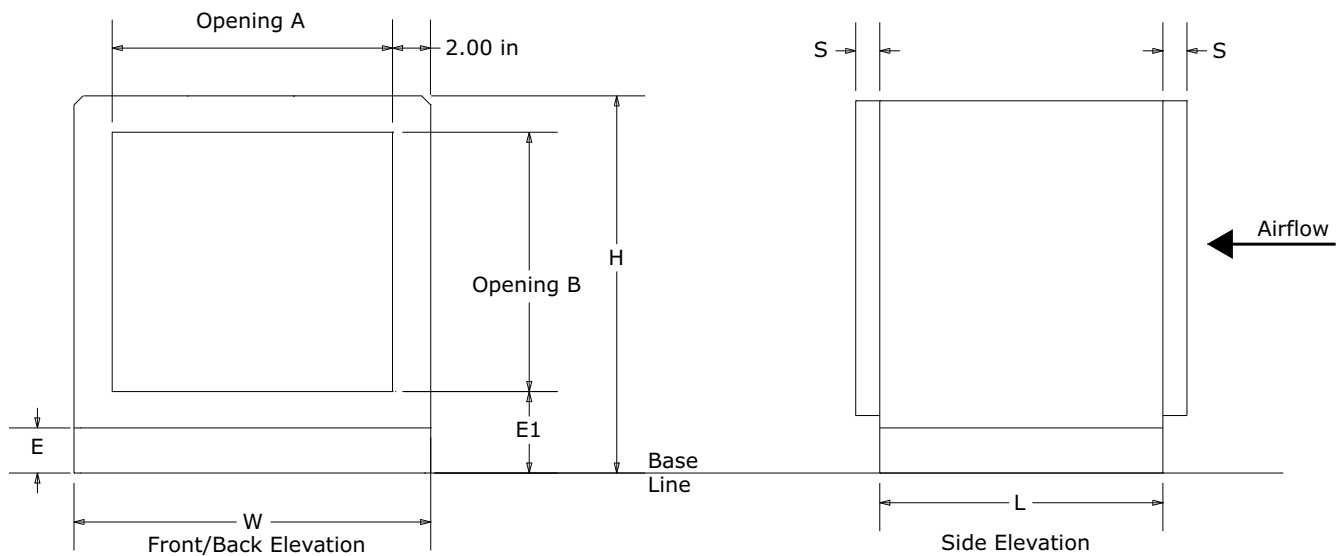


Table 170.3-foot and 5-foot silencer dimensions (inches)

Unit size	W	H	3 ft length	5 ft length	Front/back openings		Base ²		S ¹
					A	B	E	E1	
3	31.50	29.00	38.00	62.00	27.50	22.50	2.50	4.50	1.00
4	44.00	29.00	38.00	62.00	40.00	22.50	2.50	4.50	1.00
6	44.00	35.25	38.00	62.00	40.00	28.75	2.50	4.50	1.00
8	50.50	37.75	38.00	62.00	46.50	31.25	2.50	4.50	1.00
10	61.50	37.75	38.00	62.00	57.50	31.25	2.50	4.50	1.00
12	66.50	41.50	38.00	62.00	62.50	35.00	2.50	4.50	1.00
14	72.00	41.50	38.00	62.00	68.00	35.00	2.50	4.50	1.00
17	72.00	49.00	38.00	62.00	68.00	42.50	2.50	4.50	1.00
21	80.00	52.75	38.00	62.00	76.00	46.25	2.50	4.50	1.00
22	61.50	67.25	38.00	62.00	57.50	60.75	2.50	4.50	1.00
25	80.00	61.50	38.00	62.00	76.00	55.00	2.50	4.50	1.00
26	61.50	85.50	38.00	62.00	57.50	79.00	2.50	4.50	1.00
30	93.50	61.50	38.00	62.00	89.50	55.00	2.50	4.50	1.00
31	72.00	85.50	38.00	62.00	68.00	79.00	2.50	4.50	1.00
35	100.00	67.25	38.00	62.00	96.00	60.75	2.50	4.50	1.00
36	80.00	89.00	38.00	62.00	76.00	82.50	2.50	4.50	1.00
40	112.50	67.25	38.00	62.00	108.50	60.75	2.50	4.50	1.00
41	80.00	104.00	38.00	62.00	76.00	97.50	2.50	4.50	1.00
50	125.50	75.75	38.00	62.00	121.50	69.25	2.50	4.50	1.00
51	93.50	104.00	38.00	62.00	89.50	97.50	2.50	4.50	1.00
57	125.50	85.50	38.00	62.00	121.50	79.00	2.50	4.50	1.00
58	93.50	116.25	38.00	62.00	89.50	109.75	2.50	4.50	1.00
66	140.50	92.50	38.00	62.00	136.50	82.50	6.00	8.00	1.00
80	140.50	107.50	38.00	62.00	136.50	97.50	6.00	8.00	1.00
100	154.50	119.75	38.00	62.00	150.50	109.75	6.00	8.00	1.00
120	182.00	119.75	38.00	62.00	178.00	109.75	6.00	8.00	1.00

Note: ¹Shipping split flange dimension is for shipping planning purposes only and does not add to installed overall unit length. ²Base line includes the height for standard 2.5-inch integral base frame on unit sizes 3-57 and 6-inch integral base frame on unit sizes 66-120.

Trane Catalytic Air Cleaning System (TCACS)

Figure 112. Trane Catalytic Air Cleaning System (TCACS)

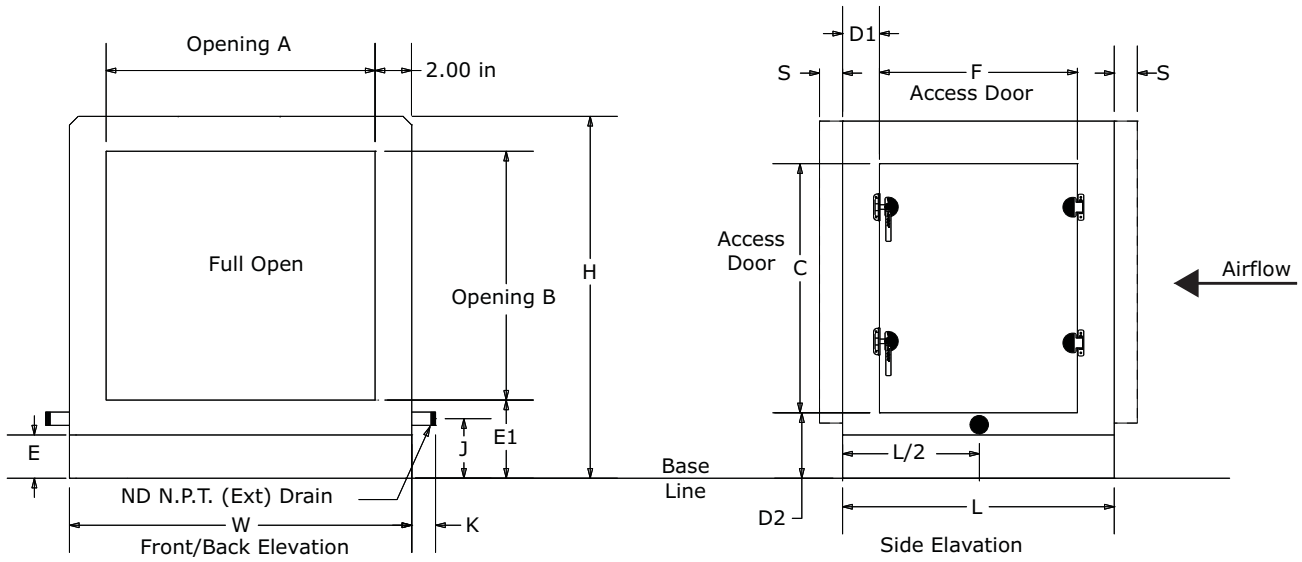


Table 171. Trane Catalytic Air Cleaning System (TCACS) section dimensions (inches)

Unit Size	W	H	Outward Door			Base		Drain Pan		Ship Split		Medium		
			Hinged*	C	D2	E	E1	J	K	NPT	S	L	F	D1
3	31.50	29.00	AE	22.25	4.25	2.50	4.50	n/a	n/a	1.00	1.00	36.00	19.63	12.94
4	44.00	29.00	AE	22.25	4.25	2.50	4.50	n/a	n/a	1.00	1.00	36.00	19.63	12.94
6	44.00	35.25	AE	28.50	4.25	2.50	4.50	n/a	n/a	1.00	1.00	36.00	19.63	12.94
8	50.50	37.75	AE	31.00	4.25	2.50	4.50	n/a	n/a	1.00	1.00	36.00	19.63	12.94
10	61.50	37.75	AE	31.00	4.25	2.50	4.50	n/a	n/a	1.00	1.00	36.00	19.63	12.94
12	66.50	41.50	AE	34.75	4.25	2.50	4.50	n/a	n/a	1.00	1.00	36.00	19.63	12.94
14	72.00	41.50	AE	34.75	4.25	2.50	4.50	n/a	n/a	1.00	1.00	36.00	19.63	12.94
17	72.00	49.00	AE	42.25	4.25	2.50	4.50	n/a	n/a	1.00	1.00	36.00	19.63	12.94
21	80.00	52.75	AE	46.00	4.25	2.50	4.50	n/a	n/a	1.00	1.00	36.00	19.63	12.94
22	61.50	67.25	AE	60.50	4.25	2.50	4.50	n/a	n/a	1.00	1.00	36.00	19.63	12.94
25	80.00	61.50	AE	54.75	4.25	2.50	4.50	n/a	n/a	1.00	1.00	36.00	19.63	12.94
26	61.50	85.50	AE	78.75	4.25	2.50	4.50	n/a	n/a	1.00	1.00	36.00	19.63	12.94
30	93.50	61.50	AE	54.75	4.25	2.50	4.50	n/a	n/a	1.00	1.00	36.00	19.63	12.94
31	72.00	85.50	AE	78.75	4.25	2.50	4.50	n/a	n/a	1.00	1.00	36.00	19.63	12.94
35	100.00	67.25	AE	60.50	4.25	2.50	4.50	n/a	n/a	1.25	1.00	36.00	19.63	12.94
36	80.00	89.00	AE	82.25	4.25	3.50	5.50	n/a	n/a	1.25	1.00	36.00	19.63	12.94
40	112.50	67.25	AE	60.50	4.25	2.50	4.50	n/a	n/a	1.25	1.00	36.00	19.63	12.94
41	80.00	104.00	AE	97.25	4.25	3.50	5.50	n/a	n/a	1.25	1.00	36.00	19.63	12.94
50	125.50	75.75	AE	69.00	4.25	2.50	4.50	n/a	n/a	1.25	1.00	36.00	19.63	12.94
51	93.50	104.00	AE	97.25	4.25	3.50	5.50	n/a	n/a	1.25	1.00	36.00	19.63	12.94
57	125.50	85.50	AE	78.75	4.25	2.50	4.50	n/a	n/a	1.25	1.00	36.00	19.63	12.94
58	93.50	116.25	AE	109.50	4.25	3.50	5.50	n/a	n/a	1.25	1.00	36.00	19.63	12.94
66	140.50	92.50	AE	82.25	7.75	6.00	8.00	n/a	n/a	1.50	1.00	36.00	19.63	12.94
80	140.50	107.50	AE	97.25	7.75	6.00	8.00	n/a	n/a	1.50	1.00	36.00	19.63	12.94
100	154.50	119.75	AE	109.5	7.75	6.00	8.00	n/a	n/a	1.50	1.00	36.00	19.63	12.94
120	182.00	119.75	AE	109.5	7.75	6.00	8.00	n/a	n/a	1.50	1.00	36.00	19.63	12.94

Note: Formulation for opening for outward is in the comment at C. D1 Side of the door to Side of unit for Outward, and Side of the door opening to the side of the unit for inward. 2 Bottom of the door to bottom of 2.5" base rail for Outward, and Bottom of the door opening to the 2.5 inch base rail for inward. C is the outside to outside dimension for the outward swing door. F is the outside to outside dimension for the outward swing door.

Ultraviolet Lights

Figure 113. Ultraviolet lights

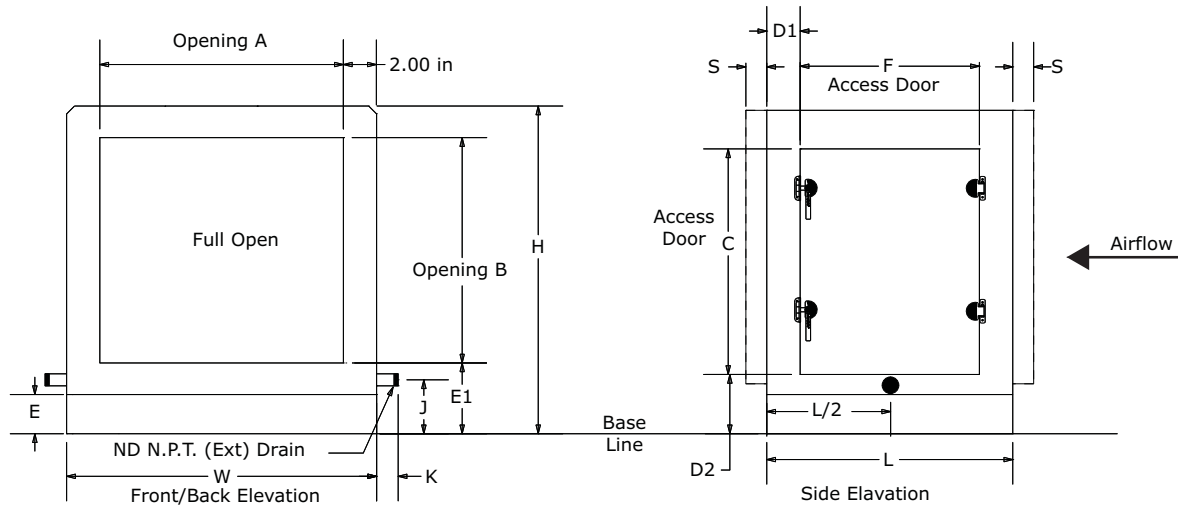


Table 172. Ultraviolet light section dimensions (inches)

Unit size	W	H	Outward Door ⁴			Base ²		Drain Pan		Ship Split ¹		Medium		
			Hinged ³	C ⁷	D2 ⁶	E	E1	J	K	NPT	S	L	F ⁷	D1 ⁵
3	31.50	29.00	AE	22.25	4.25	2.50	4.50	3.38	2.63	1.00	1.00	14.00	9.88	2.13
4	44.00	29.00	AE	22.25	4.25	2.50	4.50	3.38	2.63	1.00	1.00	14.00	9.88	2.13
6	44.00	35.25	AE	28.50	4.25	2.50	4.50	3.38	2.63	1.00	1.00	14.00	9.88	2.13
8	50.50	37.75	AE	31.00	4.25	2.50	4.50	3.38	2.63	1.00	1.00	14.00	9.88	2.13
10	61.50	37.75	AE	31.00	4.25	2.50	4.50	3.38	2.63	1.00	1.00	14.00	9.88	2.13
12	66.50	41.50	AE	34.75	4.25	2.50	4.50	3.38	2.63	1.00	1.00	14.00	9.88	2.13
14	72.00	41.50	AE	34.75	4.25	2.50	4.50	3.38	2.63	1.00	1.00	14.00	9.88	2.13
17	72.00	49.00	AE	42.25	4.25	2.50	4.50	3.38	2.63	1.00	1.00	14.00	9.88	2.13
21	80.00	52.75	AE	46.00	4.25	2.50	4.50	3.38	2.63	1.00	1.00	14.00	9.88	2.13
25	80.00	61.50	AE	54.75	4.25	2.50	4.50	3.38	2.63	1.00	1.00	14.00	9.88	2.13
30	93.50	61.50	AE	54.75	4.25	2.50	4.50	3.38	2.63	1.00	1.00	14.00	9.88	2.13
35	100.00	67.25	AE	60.50	4.25	2.50	4.50	3.75	3.63	1.25	1.00	14.00	9.88	2.13
40	112.50	67.25	AE	60.50	4.25	2.50	4.50	3.75	3.63	1.25	1.00	14.00	9.88	2.13
50	125.50	75.75	AE	69.00	4.25	2.50	4.50	3.75	3.63	1.25	1.00	14.00	9.88	2.13
57	125.50	85.50	AE	78.75	4.25	2.50	4.50	3.75	3.63	1.25	1.00	14.00	9.88	2.13
66	140.50	92.50	AE	82.25	7.75	6.00	8.00	7.63	3.63	1.50	1.00	15.00	10.88	2.13
80	140.50	107.50	AE	97.25	7.75	6.00	8.00	7.63	3.63	1.50	1.00	15.00	10.88	2.13
100	154.50	119.75	AE	109.50	7.75	6.00	8.00	7.63	3.63	1.50	1.00	15.00	10.88	2.13
120	182.00	119.75	AE	109.50	7.75	6.00	8.00	7.63	3.63	1.50	1.00	15.00	10.88	2.13

Note: ¹Shipping split flange dimension is for shipping planning purposes only and does not add to installed overall unit length. ²Base line includes the height for standard 2.5-inch integral base frame on unit sizes 3-57 and 6-inch integral base frame on unit sizes 66-120. ³Hinged on air-entering (AE) side or air-leaving (AL) side. ⁴Outward swing door opening is (F-2.73) by (C-1.80). ⁵Side of door to side of unit for outward door; side of door opening to side of unit for inward. ⁶Bottom of door to bottom of 2.5 inch base rail for outward door; bottom of door opening to bottom of 2.5-inch base rail for inward. ⁷Outside to outside dimension for outward swing door.

Notes



Trane optimizes the performance of homes and buildings around the world. A business of Ingersoll Rand, the leader in creating and sustaining safe, comfortable and energy efficient environments, Trane offers a broad portfolio of advanced controls and HVAC systems, comprehensive building services, and parts. For more information, visit www.Trane.com.

Trane has a policy of continuous product and product data improvement and reserves the right to change design and specifications without notice.

© 2013 Trane All rights reserved
CLCH-PRC023A-EN 10 Sep 2013
Supersedes CLCH-PRC015-EN (12 Dec 2012)

We are committed to using environmentally
conscious print practices that reduce waste.

